

# 74LVCH32245A

32-bit bus transceiver with direction pin; 5 V tolerant; 3-state

Rev. 03 — 20 August 2007

Product data sheet

## 1. General description

---

The 74LVCH32245A is a 32-bit transceiver featuring non-inverting 3-state bus compatible outputs in both send and receive directions. The device features four output enable ( $n\overline{OE}$ ) inputs for easy cascading and four send/receive ( $nDIR$ ) inputs for direction control. Pin  $n\overline{OE}$  controls the outputs so that the buses are effectively isolated.

Inputs can be driven from either 3.3 V or 5 V devices. When disabled, up to 5.5 V can be applied to the outputs. These features allow the use of these devices in mixed 3.3 V and 5 V applications.

To ensure the high-impedance state during power-up or power-down, pin  $n\overline{OE}$  should be tied to  $V_{CC}$  through a pull-up resistor; the minimum value of the resistor is determined by the current-sinking capability of the driver.

Bus hold on data inputs eliminates the need for external pull-up resistors to hold unused inputs.

## 2. Features

---

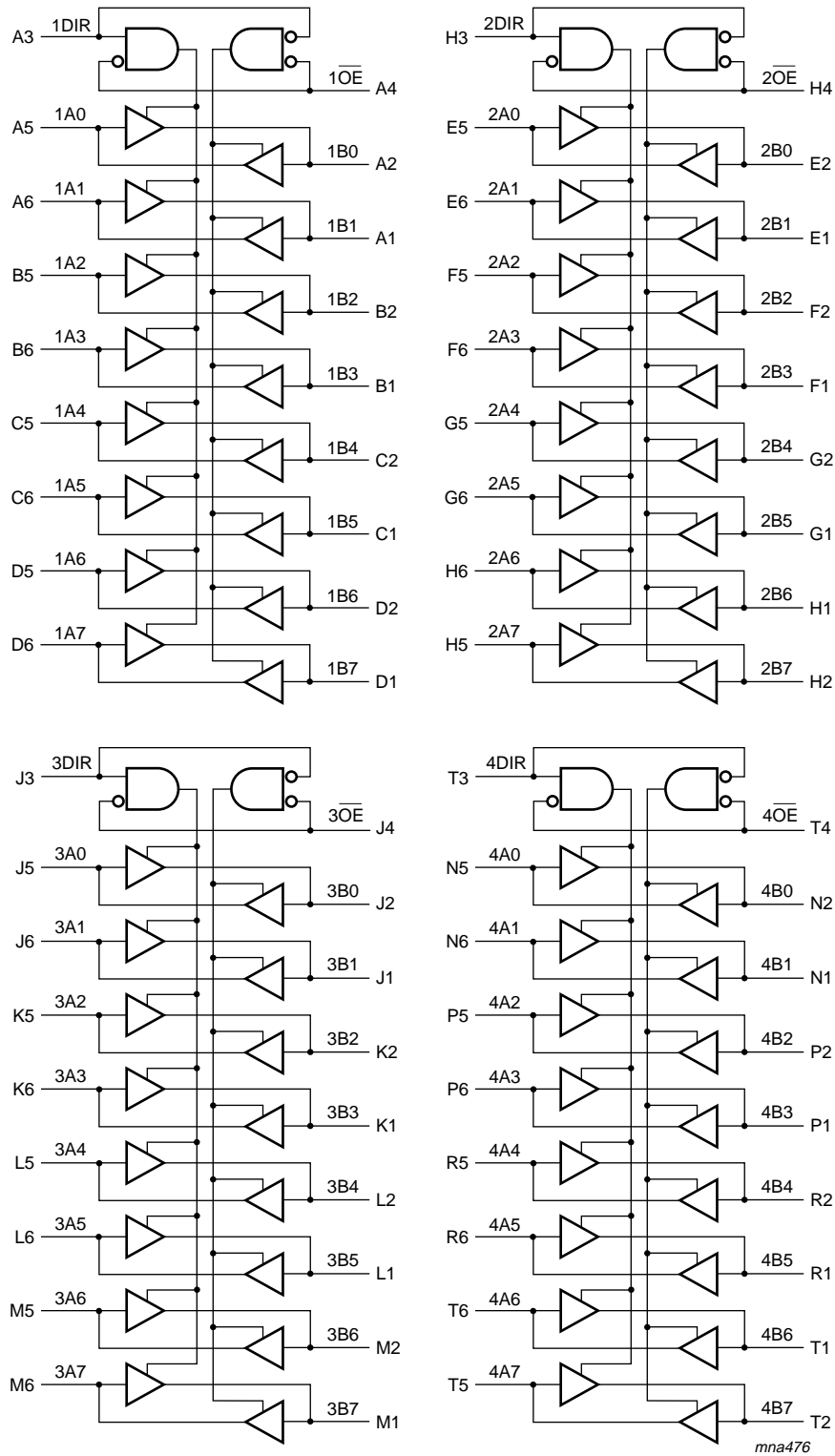
- 5 V tolerant inputs/outputs for interfacing with 5 V logic
- Wide supply voltage range from 1.2 V to 3.6 V
- CMOS low power consumption
- MULTIBYTE flow-through standard pin-out architecture
- Low inductance multiple power and ground pins for minimum noise and ground bounce
- Direct interface with TTL levels
- Inputs accept voltages up to 5.5 V
- High-impedance when  $V_{CC} = 0$  V
- All data inputs have bus hold
- Complies with JEDEC standard JESD8-B / JESD36
- ESD protection:
  - ◆ HBM EIA/JESD22-A114-B exceeds 2000 V
  - ◆ MM EIA/JESD22-A115-A exceeds 200 V
- Specified from  $-40$  °C to  $+85$  °C
- Packaged in plastic fine-pitch ball grid array package

### 3. Ordering information

**Table 1. Ordering information**

| Type number    | Package           |         |   |          |
|----------------|-------------------|---------|---|----------|
|                | Temperature range | Name    | Description   | Version  |
| 74LVCH32245AEC | -40 °C to +85 °C  | LFBGA96 | plastic low profile fine-pitch ball grid array package; 96 balls; body 13.5 × 5.5 × 1.05 mm | SOT536-1 |

4. Functional diagram



mna476

Fig 1. Logic symbol

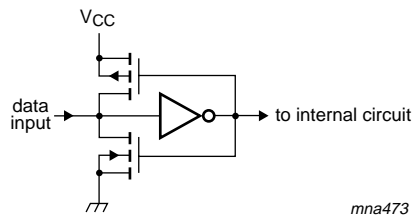


Fig 2. Bus hold circuit

## 5. Pinning information

### 5.1 Pinning

*mna475*

|   |                   |     |                 |     |     |                 |     |                   |                   |     |                 |     |     |                 |     |                   |
|---|-------------------|-----|-----------------|-----|-----|-----------------|-----|-------------------|-------------------|-----|-----------------|-----|-----|-----------------|-----|-------------------|
| 6 | 1A1               | 1A3 | 1A5             | 1A7 | 2A1 | 2A3             | 2A5 | 2A6               | 3A1               | 3A3 | 3A5             | 3A7 | 4A1 | 4A3             | 4A5 | 4A6               |
| 5 | 1A0               | 1A2 | 1A4             | 1A6 | 2A0 | 2A2             | 2A4 | 2A7               | 3A0               | 3A2 | 3A4             | 3A6 | 4A0 | 4A2             | 4A4 | 4A7               |
| 4 | 1 $\overline{OE}$ | GND | V <sub>CC</sub> | GND | GND | V <sub>CC</sub> | GND | 2 $\overline{OE}$ | 3 $\overline{OE}$ | GND | V <sub>CC</sub> | GND | GND | V <sub>CC</sub> | GND | 4 $\overline{OE}$ |
| 3 | 1DIR              | GND | V <sub>CC</sub> | GND | GND | V <sub>CC</sub> | GND | 2DIR              | 3DIR              | GND | V <sub>CC</sub> | GND | GND | V <sub>CC</sub> | GND | 4DIR              |
| 2 | 1B0               | 1B2 | 1B4             | 1B6 | 2B0 | 2B2             | 2B4 | 2B7               | 3B0               | 3B2 | 3B4             | 3B6 | 4B0 | 4B2             | 4B4 | 4B7               |
| 1 | 1B1               | 1B3 | 1B5             | 1B7 | 2B1 | 2B3             | 2B5 | 2B6               | 3B1               | 3B3 | 3B5             | 3B7 | 4B1 | 4B3             | 4B5 | 4B6               |
|   | A                 | B   | C               | D   | E   | F               | G   | H                 | J                 | K   | L               | M   | N   | P               | R   | T                 |

Fig 3. Pin configuration

### 5.2 Pin description

Table 2. Pin description

| Pin name                       | Ball   | Description                      |
|--------------------------------|--|----------------------------------|
| nDIR (n = 1 to 4)              | A3, H3, J3, T3   | direction control                |
| n $\overline{OE}$ (n = 1 to 4) | A4, H4, J4, T4   | output enable input (active LOW) |
| 1A[0:7]                        | A5, A6, B5, B6, C5, C6, D5, D6                                 | input or output                  |
| 1B[0:7]                        | A2, A1, B2, B1, C2, C1, D2, D1                                 | input or output                  |
| 2A[0:7]                        | E5, E6, F5, F6, G5, G6, H6, H5                                 | input or output                  |
| 2B[0:7]                        | E2, E1, F2, F1, G2, G1, H1, H2                                 | input or output                  |
| 3A[0:7]                        | J5, J6, K5, K6, L5, L6, M5, M6                                 | input or output                  |
| 3B[0:7]                        | J2, J1, K2, K1, L2, L1, M2, M1                                 | input or output                  |
| 4A[0:7]                        | N5, N6, P5, P6, R5, R6, T6, T5                                 | input or output                  |
| 4B[0:7]                        | N2, N1, P2, P1, R2, R1, T1, T2                                 | input or output                  |
| GND                            | B3, B4, D3, D4, E3, E4, G3, G4, K3, K4, M3, M4, N3, N4, R3, R4 | ground (0 V)                     |
| V <sub>CC</sub>                | C3, C4, F3, F4, L3, L4, P3, P4                                 | supply voltage                   |

## 6. Functional description

Table 3. Function selection<sup>[1]</sup>

| Input |      | Output |        |  |
|-------|------|--------|--------|--|
| nOE   | nDIR | nAn    | nBn    |  |
| L     | L    | A = B  | inputs |  |
| L     | H    | inputs | B = A  |  |
| H     | X    | Z      | Z      |  |

[1] H = HIGH voltage level; L = LOW voltage level; X = don't care; Z = high-impedance OFF-state

## 7. Limiting values

Table 4. Limiting values

In accordance with the Absolute Maximum Rating System (IEC 60134). Voltages are referenced to GND (ground = 0 V).

| Symbol           | Parameter               | Conditions   | Min      | Max                   | Unit |
|------------------|-------------------------|--|----------|-----------------------|------|
| V <sub>CC</sub>  | supply voltage          |  | -0.5     | +6.5                  | V    |
| I <sub>IK</sub>  | input clamping current  | V <sub>I</sub> < 0 V                                     | -50      | -                     | mA   |
| V <sub>I</sub>   | input voltage           |  | [1] -0.5 | +6.5                  | V    |
| I <sub>OK</sub>  | output clamping current | V <sub>O</sub> > V <sub>CC</sub> or V <sub>O</sub> < 0 V | -        | ±50                   | mA   |
| V <sub>O</sub>   | output voltage          | output HIGH or LOW state                                 | [2] -0.5 | V <sub>CC</sub> + 0.5 | V    |
|                  |                         | output 3-state   | [2] -0.5 | +6.5                  | V    |
| I <sub>O</sub>   | output current          | V <sub>O</sub> = 0 V to V <sub>CC</sub>                  | -        | ±50                   | mA   |
| I <sub>CC</sub>  | supply current          |  | [3] -    | 200                   | mA   |
| I <sub>GND</sub> | ground current          |  | [3] -200 | -                     | mA   |
| T <sub>stg</sub> | storage temperature     |  | -65      | +150                  | °C   |
| P <sub>tot</sub> | total power dissipation | T <sub>amb</sub> = -40 °C to +85 °C                      | [4] -    | 1000                  | mW   |

[1] The minimum input voltage ratings may be exceeded if the input current ratings are observed.

[2] The output voltage ratings may be exceeded if the output current ratings are observed.

[3] All supply and ground pins connected externally to one voltage source.

[4] Above 70 °C the value of P<sub>tot</sub> derates linearly with 1.8 mW/K.

## 8. Recommended operating conditions

Table 5. Recommended operating conditions

| Symbol           | Parameter                           | Conditions                       | Min | Typ | Max             | Unit |
|------------------|-------------------------------------|----------------------------------|-----|-----|-----------------|------|
| V <sub>CC</sub>  | supply voltage                      | for maximum speed performance    | 2.7 | -   | 3.6             | V    |
|                  |                                     | for low-voltage applications     | 1.2 | -   | -               | V    |
| V <sub>I</sub>   | input voltage                       |                                  | 0   | -   | 5.5             | V    |
| V <sub>O</sub>   | output voltage                      | output HIGH or LOW state         | 0   | -   | V <sub>CC</sub> | V    |
|                  |                                     | output 3-state                   | 0   | -   | 5.5             | V    |
| T <sub>amb</sub> | ambient temperature                 | in free air                      | -40 | -   | +85             | °C   |
| Δt/ΔV            | input transition rise and fall rate | V <sub>CC</sub> = 1.2 V to 2.7 V | -   | -   | 20              | ns/V |
|                  |                                     | V <sub>CC</sub> = 2.7 V to 3.6 V | -   | -   | 10              | ns/V |

## 9. Static characteristics

**Table 6. Static characteristics**

At recommended operating conditions. Voltages are referenced to GND (ground = 0 V).

| Symbol                                    | Parameter                       | Conditions   | V <sub>CC</sub> (V)      | Min                                     | Typ <sup>[1]</sup>    | Max             | Unit |   |
|---|---------------------------------|--|--------------------------|---|-----------------------|-----------------|------|---|
| <b>T<sub>amb</sub> = -40 °C to +85 °C</b> |                                 |  |                          |   |                       |                 |      |   |
| V <sub>IH</sub>                           | HIGH-level input voltage        |  | 1.2                      | V <sub>CC</sub>                         | -                     | -               | V    |   |
|   |                                 |  | 2.7 to 3.6               | 2.0                                     | -                     | -               | V    |   |
| V <sub>IL</sub>                           | LOW-level input voltage         |  | 1.2                      | -                                       | -                     | GND             | V    |   |
|   |                                 |  | 2.7 to 3.6               | -                                       | -                     | 0.8             | V    |   |
| V <sub>OH</sub>                           | HIGH-level output voltage       | V <sub>I</sub> = V <sub>IH</sub> or V <sub>IL</sub>                                    |                          |   |                       |                 |      |   |
|   |                                 |  | I <sub>O</sub> = -100 μA | 2.7 to 3.6                              | V <sub>CC</sub> - 0.2 | V <sub>CC</sub> | -    | V |
|   |                                 |  | I <sub>O</sub> = -12 mA  | 2.7                                     | V <sub>CC</sub> - 0.5 | -               | -    | V |
|   |                                 |  | I <sub>O</sub> = -18 mA  | 3.0                                     | V <sub>CC</sub> - 0.6 | -               | -    | V |
| V <sub>OL</sub>                           | LOW-level output voltage        | V <sub>I</sub> = V <sub>IH</sub> or V <sub>IL</sub>                                    |                          |   |                       |                 |      |   |
|   |                                 |  | I <sub>O</sub> = 100 μA  | 2.7 to 3.6                              | -                     | GND             | 0.20 | V |
|   |                                 |  | I <sub>O</sub> = 12 mA   | 2.7                                     | -                     | -               | 0.40 | V |
|   |                                 |  | I <sub>O</sub> = 24 mA   | 3.0                                     | -                     | -               | 0.55 | V |
| I <sub>I</sub>                            | input leakage current           | V <sub>I</sub> = 5.5 V or GND  | 3.6                      | <a href="#">[2]</a>                     | ±0.1                  | ±5              | μA   |   |
| I <sub>OZ</sub>                           | OFF-state output current        | V <sub>I</sub> = V <sub>IH</sub> or V <sub>IL</sub> ;<br>V <sub>O</sub> = 5.5 V or GND | 3.6                      | <a href="#">[2]</a> <a href="#">[3]</a> | ±0.1                  | ±5              | μA   |   |
| I <sub>OFF</sub>                          | power-off leakage current       | V <sub>I</sub> or V <sub>O</sub> = 5.5 V   | 0.0                      | -                                       | ±0.1                  | ±10             | μA   |   |
| I <sub>CC</sub>                           | supply current                  | V <sub>I</sub> = V <sub>CC</sub> or GND; I <sub>O</sub> = 0 A                          | 3.6                      | -                                       | 0.1                   | 40              | μA   |   |
| ΔI <sub>CC</sub>                          | additional supply current       | per input pin;<br>V <sub>I</sub> = V <sub>CC</sub> - 0.6 V; I <sub>O</sub> = 0 A       | 2.7 to 3.6               | -                                       | 5                     | 500             | μA   |   |
| C <sub>I</sub>                            | input capacitance               | V <sub>I</sub> = GND to V <sub>CC</sub>  | 0 to 3.6                 | -                                       | 5.0                   | -               | pF   |   |
| C <sub>I/O</sub>                          | input/output capacitance        | V <sub>I</sub> = GND to V <sub>CC</sub>  | 0 to 3.6                 | -                                       | 10                    | -               | pF   |   |
| I <sub>BHL</sub>                          | bus hold LOW current            | V <sub>I</sub> = 0.8 V   | 3.0                      | <a href="#">[4]</a> <a href="#">[5]</a> | 75                    | -               | μA   |   |
| I <sub>BHH</sub>                          | bus hold HIGH current           | V <sub>I</sub> = 2.0 V   | 3.0                      | <a href="#">[4]</a> <a href="#">[5]</a> | -75                   | -               | μA   |   |
| I <sub>BHLO</sub>                         | bus hold LOW overdrive current  |  | 3.6                      | <a href="#">[4]</a> <a href="#">[6]</a> | 500                   | -               | μA   |   |
| I <sub>BHHO</sub>                         | bus hold HIGH overdrive current |  | 3.6                      | <a href="#">[4]</a> <a href="#">[6]</a> | -500                  | -               | μA   |   |

[1] All typical values are measured at V<sub>CC</sub> = 3.3 V (unless stated otherwise) and T<sub>amb</sub> = 25 °C.

[2] The bus hold circuit is switched off when V<sub>I</sub> > V<sub>CC</sub> allowing 5.5 V on the input terminal.

[3] For I/O ports the parameter I<sub>OZ</sub> includes the input leakage current.

[4] Valid for data inputs only. Note that control inputs do not have a bus hold circuit.

[5] The specified sustaining current at the data input holds the input below the specified V<sub>I</sub> level.

[6] The specified overdrive current at the data input forces the data input to the opposite input state.

## 10. Dynamic characteristics

**Table 7. Dynamic characteristics**

Voltages are referenced to GND (ground = 0 V). For test circuit see [Figure 6](#).

| Symbol                                    | Parameter                     | Conditions  | V <sub>CC</sub> (V) | Min | Typ <sup>[1]</sup> | Max  | Unit |    |
|---|-------------------------------|---|---------------------|-----|--------------------|------|------|----|
| <b>T<sub>amb</sub> = -40 °C to +85 °C</b> |                               |   |                     |     |                    |      |      |    |
| t <sub>pd</sub>                           | propagation delay             | nAn to nBn; nBn to nAn; see <a href="#">Figure 4</a>        | 1.2                 | [2] | -                  | 13.0 | -    | ns |
|   |                               |   | 2.7                 |     | 1.0                | 2.7  | 4.7  | ns |
|   |                               |   | 3.0 to 3.6          |     | 1.0                | 2.2  | 4.5  | ns |
| t <sub>en</sub>                           | enable time                   | n $\overline{OE}$ to nAn, nBn; see <a href="#">Figure 5</a> | 1.2                 | [2] | -                  | 15.0 | -    | ns |
|   |                               |   | 2.7                 |     | 1.5                | 3.6  | 6.7  | ns |
|   |                               |   | 3.0 to 3.6          |     | 1.0                | 2.8  | 5.5  | ns |
| t <sub>dis</sub>                          | disable time                  | n $\overline{OE}$ to nAn, nBn; see <a href="#">Figure 5</a> | 1.2                 | [2] | -                  | 11.0 | -    | ns |
|   |                               |   | 2.7                 |     | 1.5                | 3.4  | 6.6  | ns |
|   |                               |   | 3.0 to 3.6          |     | 1.5                | 3.2  | 5.6  | ns |
| t <sub>sk(o)</sub>                        | output skew time              |   | 3.0 to 3.6          | [3] | -                  | -    | 1.0  | ns |
| C <sub>PD</sub>                           | power dissipation capacitance | per buffer; V <sub>I</sub> = GND to V <sub>CC</sub>         | 3.3                 | [4] | -                  | 30   | -    | pF |

[1] Typical values are measured at T<sub>amb</sub> = 25 °C and V<sub>CC</sub> = 1.2 V, 2.7 V, and 3.3 V respectively.

[2] t<sub>pd</sub> is the same as t<sub>PLH</sub> and t<sub>PHL</sub>.

t<sub>en</sub> is the same as t<sub>PZL</sub> and t<sub>PZH</sub>.

t<sub>dis</sub> is the same as t<sub>PLZ</sub> and t<sub>PHZ</sub>.

[3] Skew between any two outputs of the same package switching in the same direction. This parameter is guaranteed by design.

[4] C<sub>PD</sub> is used to determine the dynamic power dissipation (P<sub>D</sub> in μW).

$P_D = C_{PD} \times V_{CC}^2 \times f_i \times N + \Sigma(C_L \times V_{CC}^2 \times f_o)$  where:

f<sub>i</sub> = input frequency in MHz; f<sub>o</sub> = output frequency in MHz

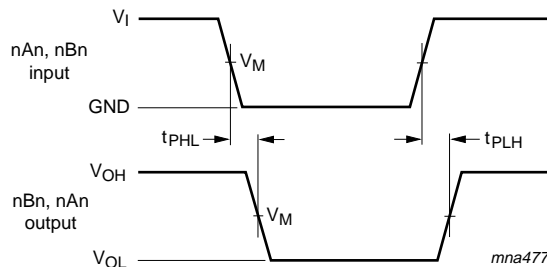
C<sub>L</sub> = output load capacitance in pF

V<sub>CC</sub> = supply voltage in Volts

N = number of inputs switching

$\Sigma(C_L \times V_{CC}^2 \times f_o)$  = sum of the outputs.

## 11. Waveforms

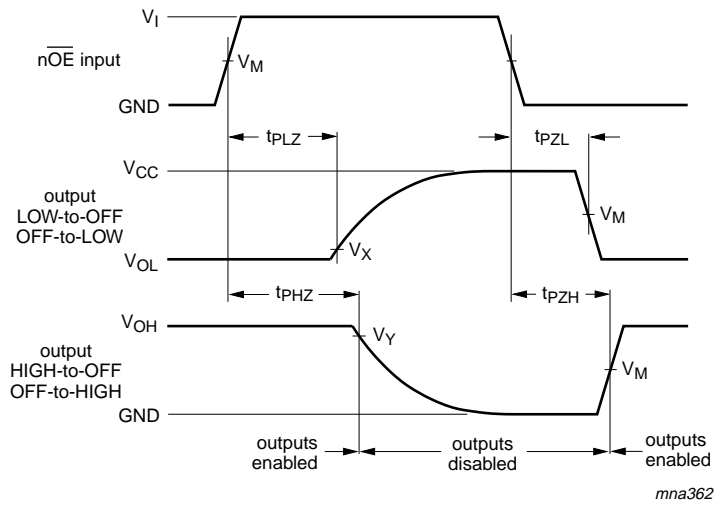


V<sub>M</sub> = 1.5 V at V<sub>CC</sub> ≥ 2.7 V.

V<sub>M</sub> = 0.5 × V<sub>CC</sub> at V<sub>CC</sub> < 2.7 V.

V<sub>OL</sub> and V<sub>OH</sub> are typical output voltage levels that occur with the output load.

**Fig 4. The input (nAn, nBn) to output (nBn, nAn) propagation delays**



$V_M = 1.5 \text{ V}$  at  $V_{CC} \geq 2.7 \text{ V}$ .

$V_M = 0.5 \times V_{CC}$  at  $V_{CC} < 2.7 \text{ V}$ .

$V_X = V_{OL} + 0.3 \text{ V}$  at  $V_{CC} \geq 2.7 \text{ V}$ ;

$V_X = V_{OL} + 0.15 \text{ V}$  at  $V_{CC} < 2.7 \text{ V}$ .

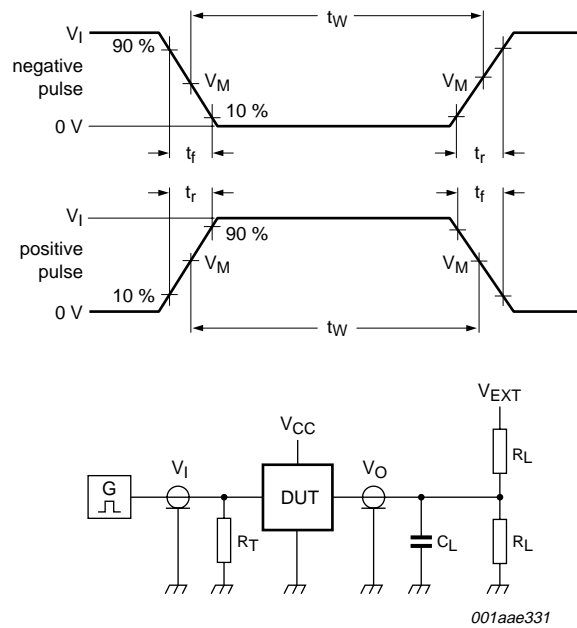
$V_Y = V_{OH} - 0.3 \text{ V}$  at  $V_{CC} \geq 2.7 \text{ V}$ ;

$V_Y = V_{OH} - 0.15 \text{ V}$  at  $V_{CC} < 2.7 \text{ V}$ .

$V_{OL}$  and  $V_{OH}$  are typical output voltage levels that occur with the output load.

**Fig 5. 3-state enable and disable times.**





Test data is given in [Table 8](#).

Definitions for test circuit:

$R_L$  = Load resistance.

$C_L$  = Load capacitance including jig and probe capacitance.

$R_T$  = Termination resistance should be equal to output impedance  $Z_o$  of the pulse generator.

$V_{EXT}$  = External voltage for measuring switching times.

**Fig 6. Load circuitry for switching times**

**Table 8. Test data**

| Supply voltage | Input    |               | Load  |              | $V_{EXT}$          |                    |                    |
|----------------|----------|---------------|-------|--------------|--------------------|--------------------|--------------------|
|                | $V_I$    | $t_r, t_f$    | $C_L$ | $R_L$        | $t_{PLH}, t_{PHL}$ | $t_{PLZ}, t_{PZL}$ | $t_{PHZ}, t_{PZH}$ |
| 1.2 V          | $V_{CC}$ | $\leq 2$ ns   | 50 pF | 500 $\Omega$ | open               | $2 \times V_{CC}$  | GND                |
| 2.7 V          | 2.7 V    | $\leq 2.5$ ns | 50 pF | 500 $\Omega$ | open               | $2 \times V_{CC}$  | GND                |
| 3.0 V to 3.6 V | 2.7 V    | $\leq 2.5$ ns | 50 pF | 500 $\Omega$ | open               | $2 \times V_{CC}$  | GND                |

12. Package outline

LFBGA96: plastic low profile fine-pitch ball grid array package; 96 balls; body 13.5 x 5.5 x 1.05 mm SOT536-1

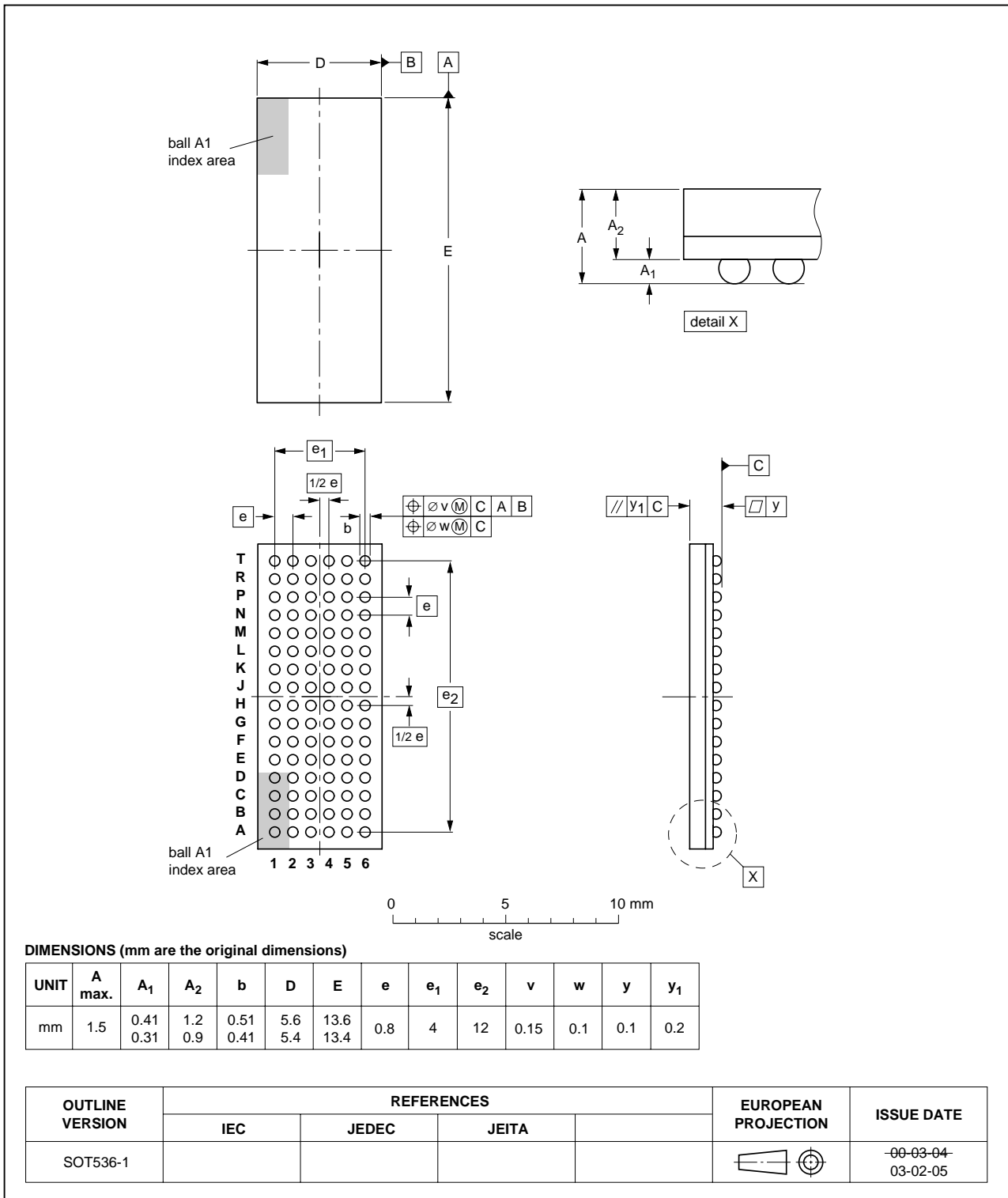


Fig 7. Package outline SOT536-1 (LFBGA96)

## 13. Abbreviations

**Table 9. Abbreviations**

| Acronym | Description                 |
|---------|-----------------------------|
| DUT     | Device Under Test           |
| ESD     | ElectroStatic Discharge     |
| HBM     | Human Body Model            |
| MM      | Machine Model               |
| TTL     | Transistor-Transistor Logic |

## 14. Revision history

**Table 10. Revision history**

| Document ID        | Release date   | Data sheet status  | Change notice | Supersedes         |
|--------------------|----------------|--|---------------|--------------------|
| 74LVCH32245A_3     | 20070820       | Product data sheet   | -             | 74LVCH32245A_2     |
|                    | Modifications: | <ul style="list-style-type: none"> <li>The format of this data sheet has been redesigned to comply with the new identity guidelines of NXP Semiconductors.</li> <li>Legal texts have been adapted to the new company name where appropriate.</li> <li>Error in <a href="#">Table 2 "Pin description"</a> corrected.</li> <li>Quick Reference Data section deleted. Information (C<sub>PD</sub>, C<sub>I</sub>, C<sub>I/O</sub>) moved from it to <a href="#">Table 6</a> and <a href="#">Table 7</a>.</li> <li>Some parameter symbols and descriptions have been updated to comply with NXP guidelines.</li> </ul> |               |                    |
| 74LVCH32245A_2     | 20040511       | Product specification  | -             | 74LVC_LVCH32245A_1 |
| 74LVC_LVCH32245A_1 | 19990901       | -  | -             | -                  |

## 15. Legal information

### 15.1 Data sheet status

| Document status <sup>[1][2]</sup> | Product status <sup>[3]</sup> | Definition  |
|-----------------------------------|-------------------------------|---|
| Objective [short] data sheet      | Development                   | This document contains data from the objective specification for product development. |
| Preliminary [short] data sheet    | Qualification                 | This document contains data from the preliminary specification.                       |
| Product [short] data sheet        | Production                    | This document contains the product specification.                                     |

[1] Please consult the most recently issued document before initiating or completing a design.

[2] The term 'short data sheet' is explained in section "Definitions".

[3] The product status of device(s) described in this document may have changed since this document was published and may differ in case of multiple devices. The latest product status information is available on the Internet at URL <http://www.nxp.com>.

### 15.2 Definitions

**Draft** — The document is a draft version only. The content is still under internal review and subject to formal approval, which may result in modifications or additions. NXP Semiconductors does not give any representations or warranties as to the accuracy or completeness of information included herein and shall have no liability for the consequences of use of such information.

**Short data sheet** — A short data sheet is an extract from a full data sheet with the same product type number(s) and title. A short data sheet is intended for quick reference only and should not be relied upon to contain detailed and full information. For detailed and full information see the relevant full data sheet, which is available on request via the local NXP Semiconductors sales office. In case of any inconsistency or conflict with the short data sheet, the full data sheet shall prevail.

### 15.3 Disclaimers

**General** — Information in this document is believed to be accurate and reliable. However, NXP Semiconductors does not give any representations or warranties, expressed or implied, as to the accuracy or completeness of such information and shall have no liability for the consequences of use of such information.

**Right to make changes** — NXP Semiconductors reserves the right to make changes to information published in this document, including without limitation specifications and product descriptions, at any time and without notice. This document supersedes and replaces all information supplied prior to the publication hereof.

**Suitability for use** — NXP Semiconductors products are not designed, authorized or warranted to be suitable for use in medical, military, aircraft, space or life support equipment, nor in applications where failure or

malfunction of a NXP Semiconductors product can reasonably be expected to result in personal injury, death or severe property or environmental damage. NXP Semiconductors accepts no liability for inclusion and/or use of NXP Semiconductors products in such equipment or applications and therefore such inclusion and/or use is at the customer's own risk.

**Applications** — Applications that are described herein for any of these products are for illustrative purposes only. NXP Semiconductors makes no representation or warranty that such applications will be suitable for the specified use without further testing or modification.

**Limiting values** — Stress above one or more limiting values (as defined in the Absolute Maximum Ratings System of IEC 60134) may cause permanent damage to the device. Limiting values are stress ratings only and operation of the device at these or any other conditions above those given in the Characteristics sections of this document is not implied. Exposure to limiting values for extended periods may affect device reliability.

**Terms and conditions of sale** — NXP Semiconductors products are sold subject to the general terms and conditions of commercial sale, as published at <http://www.nxp.com/profile/terms>, including those pertaining to warranty, intellectual property rights infringement and limitation of liability, unless explicitly otherwise agreed to in writing by NXP Semiconductors. In case of any inconsistency or conflict between information in this document and such terms and conditions, the latter will prevail.

**No offer to sell or license** — Nothing in this document may be interpreted or construed as an offer to sell products that is open for acceptance or the grant, conveyance or implication of any license under any copyrights, patents or other industrial or intellectual property rights.

### 15.4 Trademarks

Notice: All referenced brands, product names, service names and trademarks are the property of their respective owners.

## 16. Contact information

For additional information, please visit: <http://www.nxp.com>

For sales office addresses, send an email to: [salesaddresses@nxp.com](mailto:salesaddresses@nxp.com)

**17. Contents**

**1 General description . . . . . 1**

**2 Features . . . . . 1**

**3 Ordering information . . . . . 2**

**4 Functional diagram . . . . . 3**

**5 Pinning information . . . . . 4**

5.1 Pinning . . . . . 4

5.2 Pin description . . . . . 4

**6 Functional description . . . . . 5**

**7 Limiting values . . . . . 5**

**8 Recommended operating conditions . . . . . 5**

**9 Static characteristics . . . . . 6**

**10 Dynamic characteristics . . . . . 7**

**11 Waveforms . . . . . 7**

**12 Package outline . . . . . 10**

**13 Abbreviations . . . . . 11**

**14 Revision history . . . . . 11**

**15 Legal information . . . . . 12**

15.1 Data sheet status . . . . . 12

15.2 Definitions . . . . . 12

15.3 Disclaimers . . . . . 12

15.4 Trademarks . . . . . 12

**16 Contact information . . . . . 12**

**17 Contents . . . . . 13**

Please be aware that important notices concerning this document and the product(s) described herein, have been included in section 'Legal information'.



© NXP B.V. 2007.

All rights reserved.

For more information, please visit: <http://www.nxp.com>

For sales office addresses, please send an email to: [salesaddresses@nxp.com](mailto:salesaddresses@nxp.com)

Date of release: 20 August 2007

Document identifier: 74LVCH32245A\_3