

**Technical Data Sheet****333/Y2C0-AUYB****Features**

- Popular T-1 3/4 diameter package.
- Choice of various viewing angles.
- Available on tape and reel.
- Reliable and robust.
- ESD-withstand voltage: up to 4KV
- The product itself will remain within RoHS compliant version

**Descriptions**

- The series is specially designed for applications requiring higher brightness.
- The LED lamps are available with different colors,intensities,epoxy colors, etc.

**Applications**

- TV set.
- Monitor.
- Telephone.
- Computer.

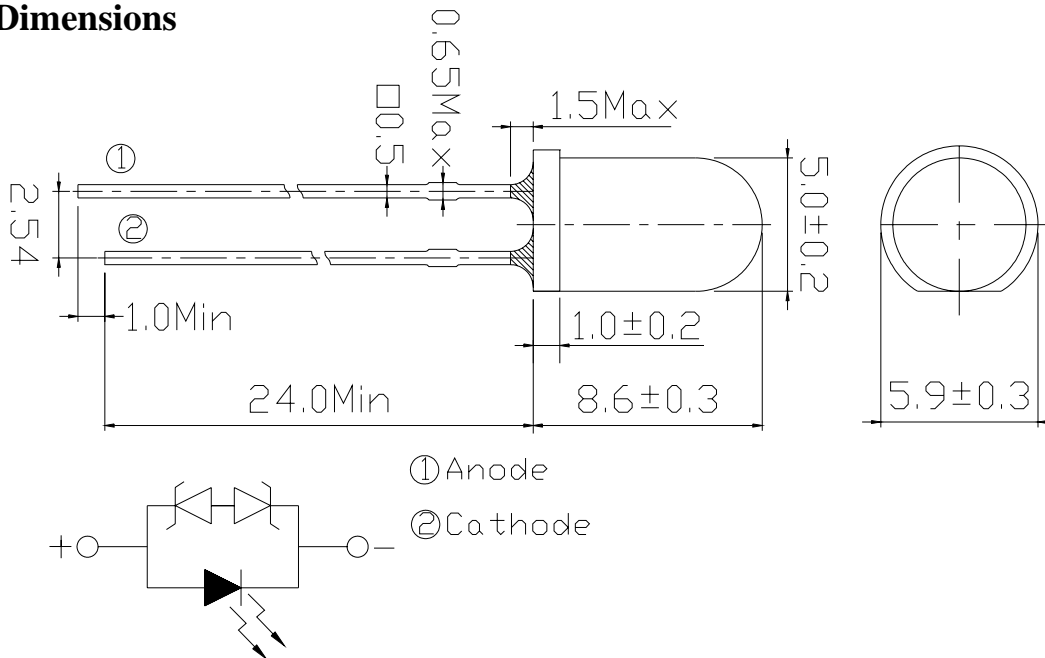
**Device Selection Guide**

LED Part No.	Chip		Lens Color
	Material	Emitted Color	
333/Y2C0-AUYB	AlGaInP	Hyper Yellow	Water clear

Technical Data Sheet

**333/Y2C0-AUYB**

Package Dimensions



Notes:

- All dimensions are in millimeters, tolerance is 0.25mm except being specified.
- Lead spacing is measured where the lead emerges from the package.
- Protruded resin under flange is 1.5mm Max LED.

**Absolute Maximum Ratings (Ta=25°C)**

Parameter	Symbol	Rating	Units
Forward Current	I <sub>F</sub>	50	mA
Pulse Forward Current <sup>*1</sup>	I <sub>FP</sub>	100	mA
Operating Temperature	T <sub>opr</sub>	-40 ~ +85	°C
Storage Temperature	T <sub>stg</sub>	-40 ~ +100	°C
Soldering Temperature <sup>*2</sup>	T <sub>sol</sub>	260 ±5	°C
Power Dissipation	P <sub>d</sub>	120	mW
Zener Reverse Current	I <sub>Z</sub>	100	mA
Electrostatic Discharge	ESD	4K	V
Reverse Voltage	V <sub>R</sub>	5	V

Notes: \*1:I<sub>FP</sub> Conditions--Pulse Width ≤ 10msec and Duty ≤ 1/10.

\*2:Soldering time ≤ 5 seconds.



## Technical Data Sheet

**333/Y2C0-AUYB****Electro-Optical Characteristics (Ta=25°C)**

Parameter	Symbol	Condition	Min.	Typ.	Max.	Units
Forward Voltage	$V_F$	$I_F=20mA$	--	2.0	2.6	V
Luminous Intensity	$I_V$		9000	14250	--	mcd
Viewing Angle	$2\theta_{1/2}$		--	10	--	deg
Peak Wavelength	$\lambda_p$		--	591	--	nm
Dominant Wavelength	$\lambda_d$		--	589	--	nm
Spectrum Radiation Bandwidth	$\Delta\lambda$		--	15	--	nm
Zener Reverse Voltage	$V_Z$	$I_Z=5mA$	5.8	--	--	V
Reverse Current	$I_R$	$V_R=5V$	--	--	50	$\mu A$

**Rank Combination ( $I_F=20mA$ )**

Rank	U	V	W	X	Y
Luminous Intensity	9000~11250	11250~14250	14250~18000	18000~22500	22500~28500

\*Measurement Uncertainty of Luminous Intensity:  $\pm 15\%$ 

Unit:mcd

Rank	B			
Forward Voltage	1.8~2.0	2.0~2.2	2.2~2.4	2.4~2.6

\*Measurement Uncertainty of Forward Voltage:  $\pm 0.1V$ 

Unit:V

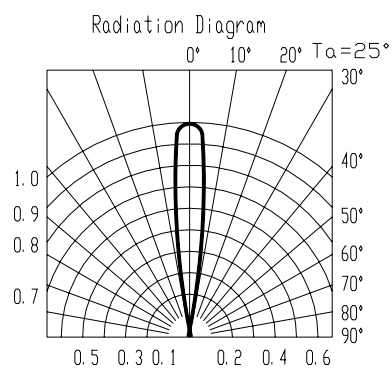
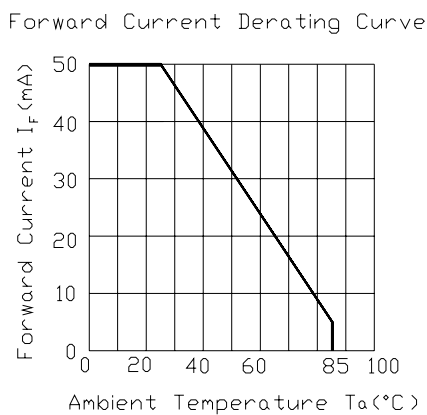
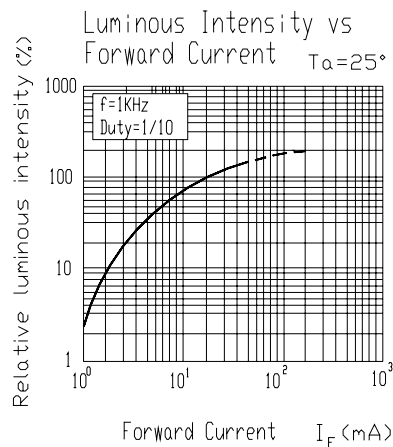
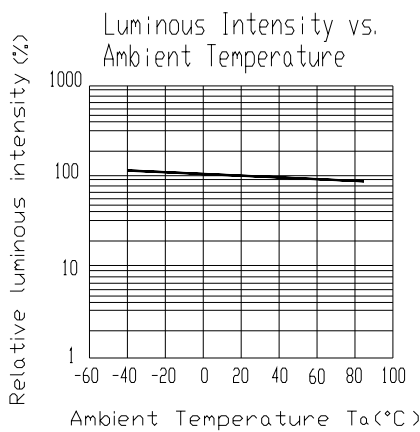
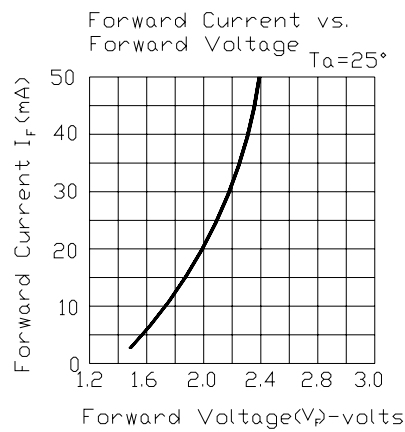
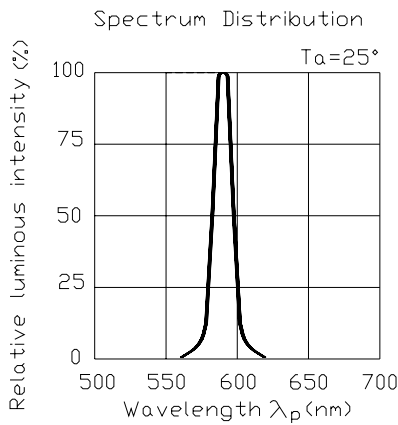
Rank	3	4	5	6
Dominant Wavelength	587~588.5	588.5~590	590~591.5	591.5~593

\*Measurement Uncertainty of Dominant Wavelength  $\pm 1.0nm$ 

Unit:nm

**333/Y2C0-AUYB**

**Typical Electro-Optical Characteristics Curves**





Technical Data Sheet

**333/Y2C0-AUYB**

Label Form Specification

<b>EVERLIGHT</b>	
CPN:	
P/N:	
	<b>RoHS</b>
333/Y2C0-AUYB	
QTY :	CAT:
	HUE:
LOT NO :	REF:
	
MADE IN TAIWAN	

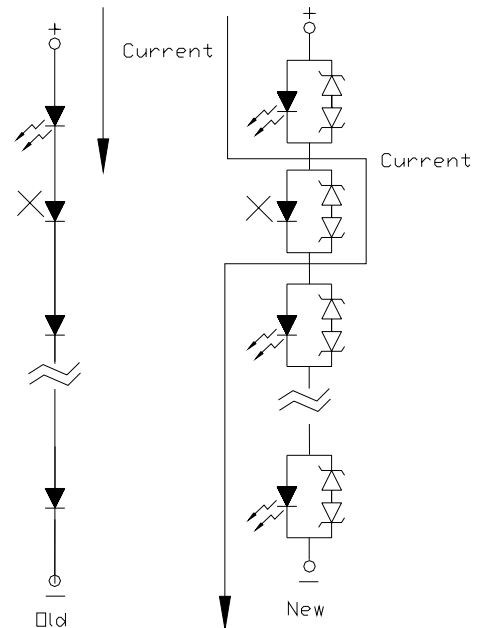
CPN: Customer's Production Number  
P/N : Production Number  
QTY: Packing Quantity  
CAT: Ranks of Luminous and Forward Voltage  
HUE: Ranks of Dominant Wavelength  
REF: Reference  
LOT No: Lot Number  
MADE IN TAIWAN: Production Place

Technical Data Sheet

**333/Y2C0-AUYB**

**Notes**

1. Above specification may be changed without notice. EVERLIGHT will reserve authority on material change for above specification.
2. When using this product, please observe the absolute maximum ratings and the instructions for using outlined in these specification sheets. EVERLIGHT assumes no responsibility for any damage resulting from use of the product which does not comply with the absolute maximum ratings and the instructions included in these specification sheets.
3. These specification sheets include materials protected under copyright of EVERLIGHT corporation. Please don't reproduce or cause anyone to reproduce them without EVERLIGHT's consent.
4. When the LED is connected using serial circuit, if either piece of LED is no light up but current can't flow through causing others to light down. In new design, the LED is parallel with zener diode, the LED is parallel with zener diode. if either piece of LED is no light up but current can flow through causing others to light up



**EVERLIGHT ELECTRONICS CO., LTD.**  
 Office: No 25, Lane 76, Sec 3, Chung Yang Rd,  
 Tucheng, Taipei 236, Taiwan, R.O.C

Tel: 886-2-2267-2000, 2267-9936  
 Fax: 886-2267-6244, 2267-6189, 2267-6306  
<http://www.everlight.com>