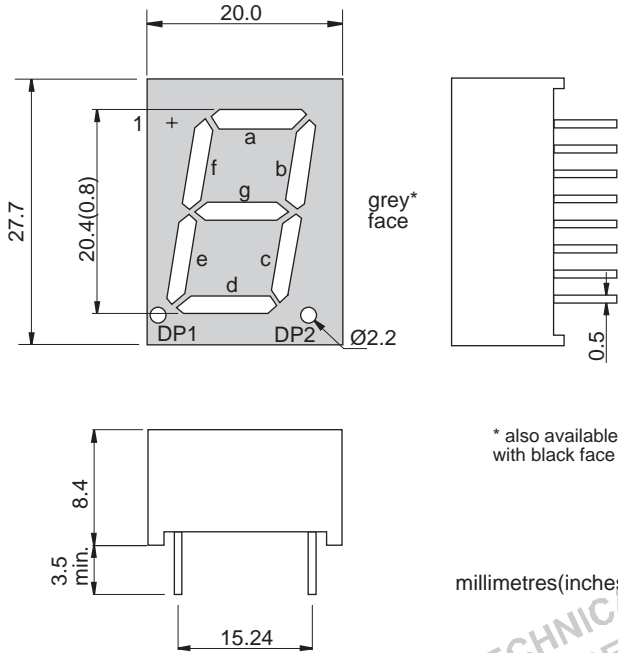
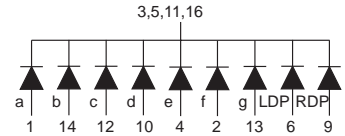


TOS8102 series

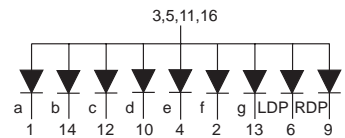


Schematic Options

A Common Cathode Dual Decimal point



B Common Anode Dual Decimal point



Part Number Key

TOS8102

A

S

Schematic

Colour Code

Specification

Colour	Red	Red	Red	Green	Yellow	
Colour Code	R	E [†]	S	G	Y	
Brightness Category	Bright	Extra Bright	Super Bright	Extra Bright	Extra Bright	
Typical Luminous Intensity I _F =10mA	700	3500	17500	4000	3500	µcd
Peak Wavelength I _F =20mA	697	630	660	565	585	nm
Typical Forward Voltage I _F =20mA	2.1	2.1	2.1	2.2	2.1	Volts
Maximum Forward Voltage I _F =20mA	2.8	2.8	2.8	2.8	2.8	Volts
Maximum Reverse Current V _R =5V	100	100	100	100	100	µA

[†] Red - Extra Bright (E) also available in low current