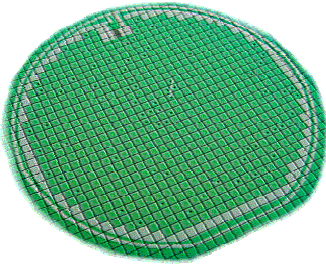


MS7812

PRESSURE SENSOR DIE (0-12 BAR)



- 0 to 1200 kPa range (1 bar or 174 PSI)
- Absolute/differential pressure sensors
- RoHS-compatible & Pb-free¹

DESCRIPTION

The sensor element of the MS7812 consists of a silicon micro-machined membrane with a Pyrex glass mounted under vacuum. Implanted resistors make use of the piezo-resistive effect. The absolute pressure sensor (MS7812-A) carries a sealed vacuum reference cavity underneath the membrane whereas the differential sensor (MS7812-D) has a hole in the Pyrex glass at the backside of the sensor.

FEATURES

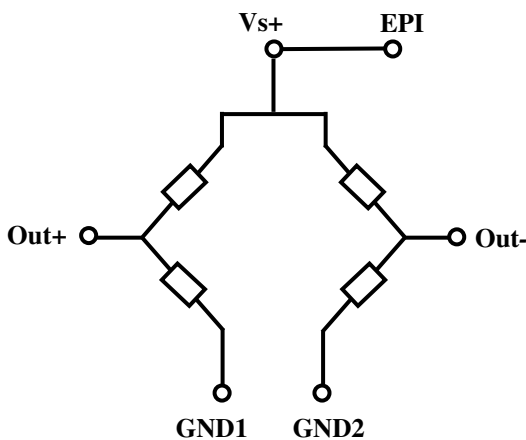
- Uncompensated pressure sensor die
- Output Span 150mV @ 5V
- Temperature Range -40°...+125°C
- Linearity 0.05% (typical)
- Small Die Size 2.00 x 1.86mm
- Low Cost, High reliability

APPLICATION

- For absolute or differential pressure sensor systems
- Engine controls
- Dive computers

ELECTRICAL CONNECTIONS

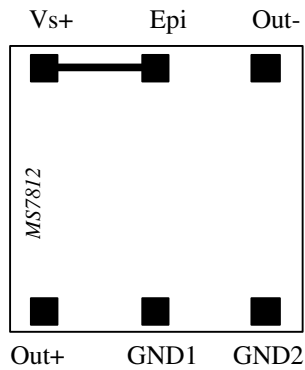
Positive output for pressure applied topside



- Vs+ : Supply voltage of Wheatstone bridge
- Epi : Connection of epitaxial layer (membrane)
- Out- : Negative output
- Out+ : Positive output
- GND1 : Ground
- GND2 : Ground

¹ The European RoHS directive 2002/95/EC (Restriction of the use of certain Hazardous Substances in electrical and electronic equipment) bans the use of lead, mercury, cadmium, hexavalent chromium and polybrominated biphenyls (PBB) or polybrominated diphenyl ethers (PBDE).

PAD OUT



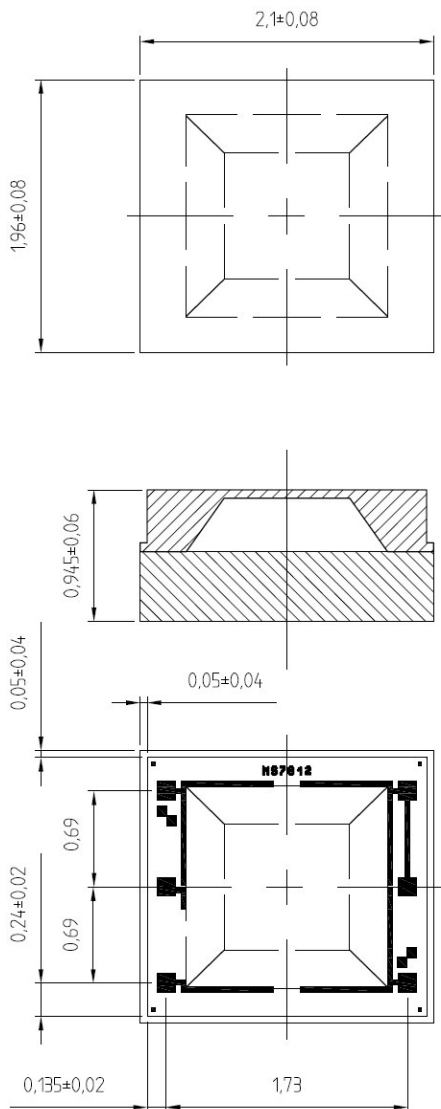
Important remarks:

As the sensing elements are diffused resistances, the voltage applied on the ground pads (GND1 and GND2) has to be lower than the voltage applied on supply voltage pad (Vs+).

The epitaxial layer is connected to the Vs+ pin on the die

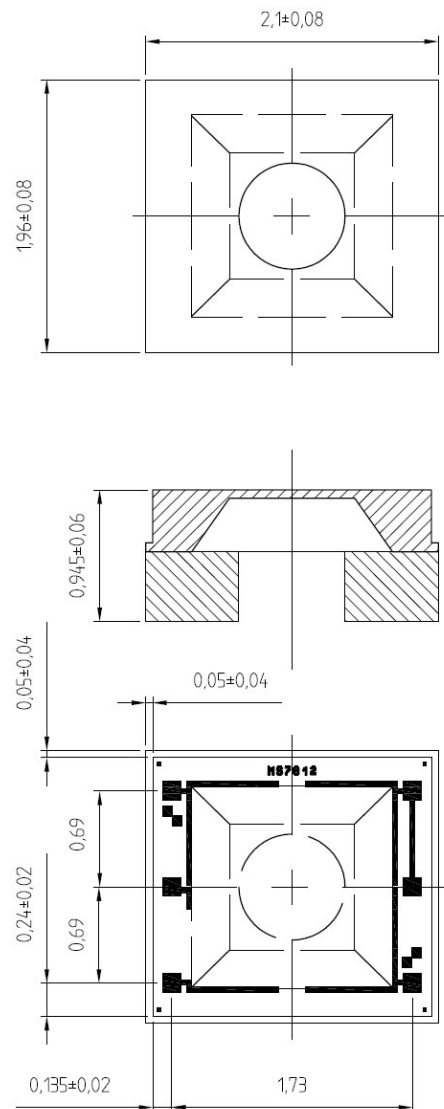
LAYOUT

MS7812A



Bondable area = 100 x 100 μm

MS7812D



Bondable area = 100 x 100 μm

FULL SCALE PRESSURE

kPa	bar	mbar	PSI	atm	mm Hg	m H ₂ O	Inches H ₂ O
1200	12	12000	174	11.8	9001	122	4818

ABSOLUTE MAXIMUM RATINGS

Parameter	Symbol	Conditions	Min	Max	Unit
Supply voltage	VS+	Ta = 25 °C		20	V
Storage temperature	T _S		-40	+125	°C
Pressure overload				30	Bar

ELECTRICAL CHARACTERISTICS

(Reference conditions: Supply Voltage VS+ = 5 Vdc; Ambient Temperature Ta = 23 °C)

Parameter	Min	Typ	Max	Unit	Notes
Operating Pressure Range	0	-	12	bar	
Bridge Resistance	3.0	3.4	3.8	kΩ	
Full-scale span (FS)	120	150	180	mV	
Zero Pressure Offset	-40	0	40	mV	
Linearity	-	± 0.05	± 0.3	% FS	1
Hysteresis		0.05	± 0.15	% FS	2
Temperature Coefficient of Resistance Span Offset	+ 2400 - 1500 - 80	+ 2800 - 1900	+ 3300 - 2300 + 80	ppm/°C ppm/°C μV/°C	3
Temperature Hysteresis		0.3	0.8	% FS	4

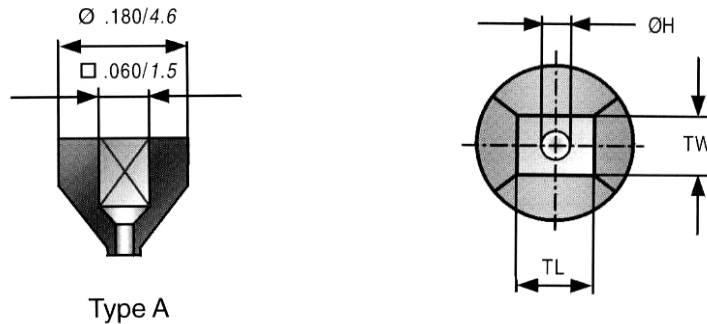
NOTES

- 1) Deviation from endpoint straight line from 0 bar to 12 bar at one half full-scale pressure.
- 2) Maximum difference in output at any pressure within the operating pressure range.
- 3) Slope of the endpoint straight line from 25 °C to 60 °C.
- 4) Maximum difference in offset after one thermal cycle from -40 °C to +125 °C.

PICKING TOOLS

The MS7812 sensors have a sensitive membrane (0.5 x 0.5 mm) the top surface of the sensor dice has an outer diameter is: 1.62 x 1.48 mm. The pick and place tool has to be of a soft material as rubber (Hardness 78-97 Shore A). Its external size must fit the sensor and the vacuum cavity must be as large as the membrane itself. Successful test where done with some tools of SPT, see SPT drawing and references bellow).

SPT references	RTR-A1-060x060
External dimension	TL & TW: 0.06 inch / 1.52 mm
Internal dimensions	ØH: 0.035 inch / 0.89 mm



Type A

ORDERING INFORMATION

Product Code	Product	Art.-Nr.
MS7812-A	1200 kPa Absolute Pressure Sensor	781225021
MS7812-D	1200 kPa Differential Pressure Sensor	781225121

The MS7812 dice are supplied sawn on blue foil, mounted on plastic rings

FACTORY CONTACTS

Intersema Sensoric SA Ch. Chapons-des-Prés 11 CH-2022 BEVAIX SWITZERLAND	Tel. 032 847 9550 Tel. Int. +41 32 847 9550 Telefax +41 32 847 9569 e-mail: sales@intersema.ch http://www.intersema.ch
---	--

NOTICE

Intersema reserves the right to make changes to the products contained in this data sheet in order to improve the design or performance and to supply the best possible products. Intersema assumes no responsibility for the use of any circuits shown in this data sheet, conveys no license under any patent or other rights unless otherwise specified in this data sheet, and makes no claim that the circuits are free from patent infringement. Applications for any devices shown in this data sheet are for illustration only and Intersema makes no claim or warranty that such applications will be suitable for the use specified without further testing or modification.