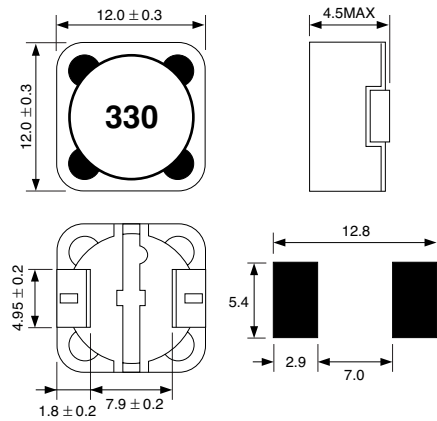


LPF1245 SERIES

SMD Shielded type

SHAPES & DIMENSIONS RECOMMENDED PCB PATTERN

(Dimensions in mm)



ELECTRICAL CHARACTERISTICS

Ordering Code	Inductance (μH)	RDC (Ω) Max.	Rated Current(A)	
			IDC1 MAX.	IDC2 TYP.
LPF1245T-1R5M	± 20	0.0130	11.50	8.50
LPF1245T-2R2M		0.0160	9.50	8.07
LPF1245T-3R0M		0.0180	8.00	6.95
LPF1245T-4R7M		0.0250	6.40	5.70
LPF1245T-6R0M		0.0290	6.20	5.13
LPF1245T-7R2M		0.0340	5.10	4.60
LPF1245T-100M		0.0400	4.00	4.56
LPF1245T-150M		0.0560	3.40	3.69
LPF1245T-220M		0.0750	2.90	2.56
LPF1245T-330M		0.0930	2.40	2.46
LPF1245T-470M	0.1380	1.90	1.89	
LPF1245T-680M	0.1770	1.50	1.84	
LPF1245T-101M	0.2450	1.20	1.56	

TEST EQUIPMENTS

- Inductance: Agilent 4284A LCR Meter (100KHz 0.5V)
- Rdc: HIOKI 3540 mΩ HiTESTER
- Bias Current: Agilent 4284A + Agilent 42841A
- IDC1(The saturation current): $\Delta L \leq 20\%$ at rated current
- IDC2(The temperature rise): $\Delta T = 40^\circ\text{C}$ at rated current

OPERATING TEMPERATURE RANGE

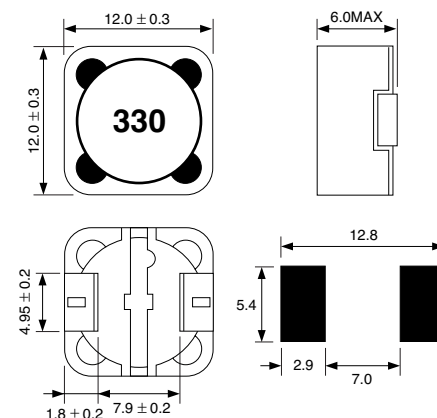
-20 ~ +85°C (Including self-generated heat)

LPF1260 SERIES

SMD Shielded type

SHAPES & DIMENSIONS RECOMMENDED PCB PATTERN

(Dimensions in mm)



ELECTRICAL CHARACTERISTICS

Ordering Code	Inductance (μH)	Inductance TOL.(%)	Test Freq. (KHz)	DC Resistance (Ω) Max	Rated Current(A)	
					IDC1 (Max.)	IDC2 (Ref.)
LPF1260T-100M	10	± 20	100	0.025	5.0	7.55
LPF1260T-150M	15			0.030	4.0	6.54
LPF1260T-220M	22			0.040	3.5	5.38
LPF1260T-330M	33			0.057	3.0	4.75
LPF1260T-470M	47			0.075	2.5	3.13
LPF1260T-680M	68			0.120	2.0	2.95
LPF1260T-850M	85			0.130	1.7	2.83
LPF1260T-101M	100			0.150	1.5	2.76
LPF1260T-151M	150			0.220	1.2	2.15
LPF1260T-221M	220			0.330	1.0	2.07
LPF1260T-331M	330	0.470	0.8	1.36		
LPF1260T-471M	470	0.700	0.7	1.29		
LPF1260T-681M	680	1.150	0.6	0.89		
LPF1260T-102M	1000	1.400	0.5	0.84		

TEST EQUIPMENTS

- Inductance: Agilent 4284A LCR Meter (100KHz 0.5V)
- Rdc: HIOKI 3540 mΩ HiTESTER
- Bias Current: Agilent 4284A + Agilent 42841A
- IDC1(The saturation current): $\Delta L \leq 20\%$ at rated current
- IDC2(The temperature rise): $\Delta T = 40^\circ\text{C}$ at rated current

OPERATING TEMPERATURE RANGE

-20 ~ +85°C (Including self-generated heat)