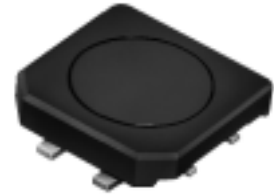
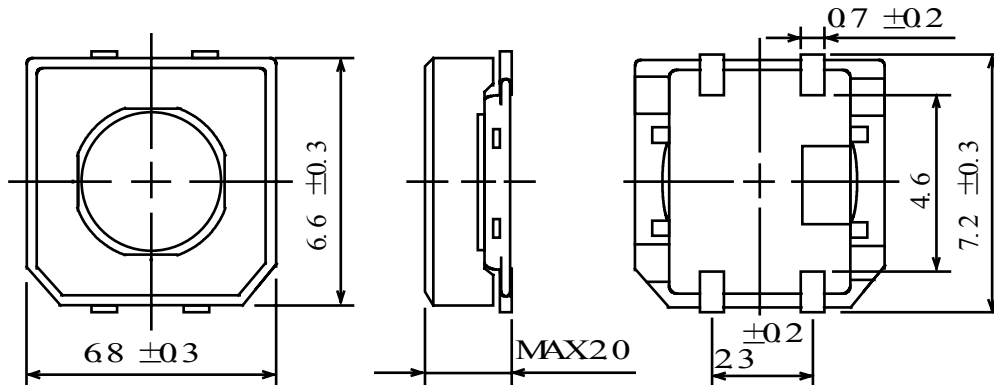
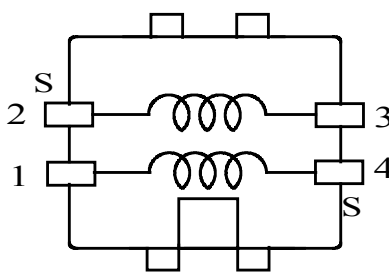


Type: CLQ71
◆ Product Description

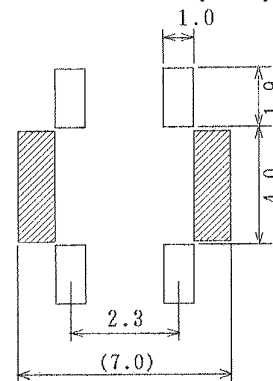
- 5.7×5.1mm Max.(L×W), 2.0mm Max.(Height)
- In addition to the typical versions of parameters shown here, custom designs are available to meet your exact requirements


◆ Feature

- Magnetically shielded construction.
- Max. Operating frequency 1MHz, Max. Operating power 730mW(1MHz)
- Ideally used in LCD with hybrid IC driver DC/DC converter.
- RoHs Compliance.

◆ Dimensions (mm)

◆ Schematics (Bottom)


“S” indicates winding start.

◆ Land Pattern (mm)

◆ Specification

Sample No.	Inductance (2-3) (1kHz/1.0V)	D.C.R. (2-3)	Rated current (2-3)
6332-T011	75 μ H \pm 30% within	4.4 Ω Max.	170mA

※1. Rated current: The D.C. current at which the inductance decreases to 90% of its initial value or when $\Delta t=40^{\circ}\text{C}$, whichever is lower ($T_a=20^{\circ}\text{C}$).