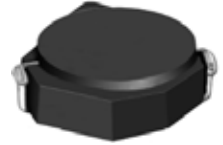
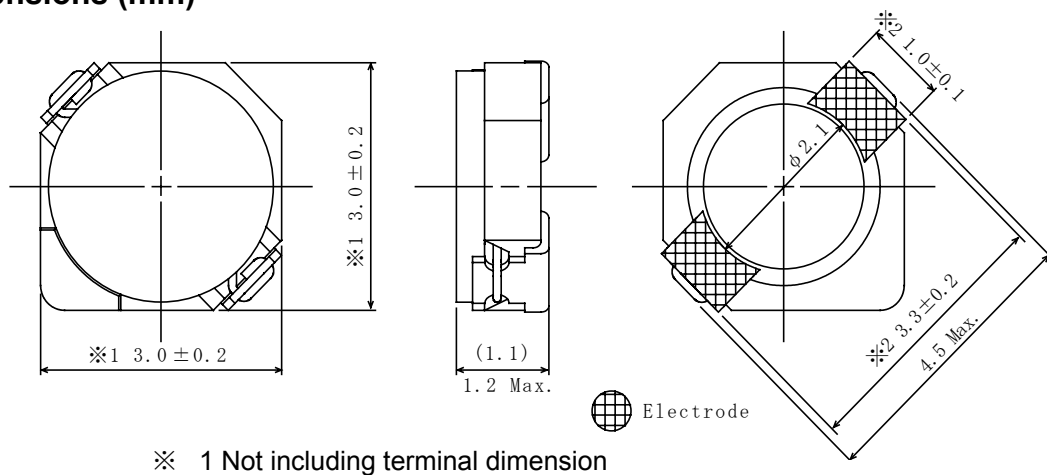
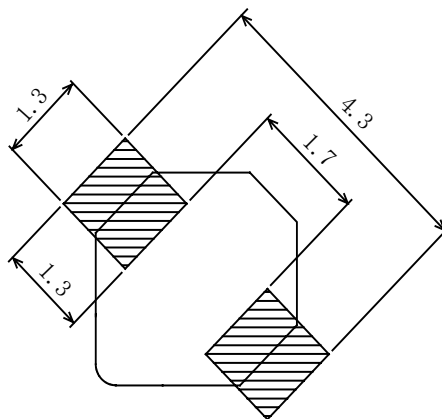


Type: CDRH2D11, CDRH2D11/HP, CDRH2D11B
◆ Product Description

- 3.2×3.2mm Max.(L×W),1.2mm Max. Height.
- Inductance Range: 1.5~10 μ H (CDRH2D11/ CDRH2D11/HP);
1.0~22 μ H (CDRH2D11B).
- Rated current range: 0.35~0.90A (CDRH2D11) ; 0.52~1.35A (CDRH2D11/HP);
0.35~1.5A (CDRH2D11B).
- Custom design is available.


◆ Feature

- Magnetically shielded construction.
- Ideally used in Mobilephone,PDA,MP3,DSC/DVC,Portable DVD, etc as DC-DC Converter.
- RoHS Compliance.

◆ Dimensions (mm)

◆ Land Pattern (mm)


Type: CDRH2D11, CDRH2D11/HP, CDRH2D11B
◆ Specification(CDRH2D11)

| Part Name ※ | Stamp | Inductance (μ H) 100kHz/1V | D.C.R. (m Ω) Max.(Typ.) (20 $^{\circ}$ C) | Saturation current (A)※1 | | Temperature rise current (A)※2 |
|------------------|-------|---------------------------------------|---|-----------------------------|------------------|--------------------------------------|
| | | | | 20 $^{\circ}$ C | 100 $^{\circ}$ C | |
| CDRH2D11NP-1R5N□ | A | 1.5 \pm 30% | 68(54) | 0.90 | 0.68 | 1.48 |
| CDRH2D11NP-2R2N□ | C | 2.2 \pm 30% | 98(78) | 0.78 | 0.58 | 1.27 |
| CDRH2D11NP-3R3N□ | E | 3.3 \pm 30% | 123(98) | 0.60 | 0.45 | 1.02 |
| CDRH2D11NP-4R7N□ | G | 4.7 \pm 30% | 170(135) | 0.50 | 0.37 | 0.88 |
| CDRH2D11NP-6R8N□ | I | 6.8 \pm 30% | 260(210) | 0.44 | 0.33 | 0.80 |
| CDRH2D11NP-100N□ | K | 10.0 \pm 30% | 400(320) | 0.35 | 0.26 | 0.65 |

◆ Specification (CDRH2D11/HP)

| Part Name ※ | Stamp | Inductance (μ H) 100kHz/1V | D.C.R. (m Ω) Max.(Typ.) (20 $^{\circ}$ C) | Saturation current (A)※1 | | Temperature rise current (A)※2 |
|---------------------|-------|---------------------------------------|---|-----------------------------|------------------|--------------------------------------|
| | | | | 20 $^{\circ}$ C | 100 $^{\circ}$ C | |
| CDRH2D11/HPNP-1R5N□ | A | 1.5 \pm 30% | 80(64) | 1.35 | 1.0 | 1.60 |
| CDRH2D11/HPNP-2R2N□ | C | 2.2 \pm 30% | 120(96) | 1.10 | 0.72 | 1.30 |
| CDRH2D11/HPNP-3R3N□ | E | 3.3 \pm 30% | 173(138) | 0.90 | 0.65 | 0.90 |
| CDRH2D11/HPNP-4R7N□ | G | 4.7 \pm 30% | 238(190) | 0.75 | 0.52 | 0.85 |
| CDRH2D11/HPNP-6R8N□ | I | 6.8 \pm 30% | 371(297) | 0.63 | 0.45 | 0.65 |
| CDRH2D11/HPNP-100N□ | K | 10.0 \pm 30% | 559(447) | 0.52 | 0.37 | 0.52 |

◆ Specification (CDRH2D11B)

| Part Name ※ | Stamp | Inductance (μ H) 100kHz/1V | D.C.R. (m Ω) Max.(Typ.) (20 $^{\circ}$ C) | Saturation current (A)※1 | | Temperature rise current (A)※2 |
|-------------------|-------|---------------------------------------|---|-----------------------------|------------------|--------------------------------------|
| | | | | 20 $^{\circ}$ C | 100 $^{\circ}$ C | |
| CDRH2D11BNP-1R0N□ | A | 1.0 \pm 25% | 62.6(50.1) | 1.50 | 1.25 | 1.70 |
| CDRH2D11BNP-1R5N□ | B | 1.5 \pm 25% | 84.3(67.4) | 1.25 | 1.05 | 1.45 |
| CDRH2D11BNP-2R2N□ | C | 2.2 \pm 25% | 95.5(76.4) | 1.10 | 0.9 | 1.40 |
| CDRH2D11BNP-2R7N□ | D | 2.7 \pm 25% | 120(95.6) | 0.92 | 0.75 | 1.20 |
| CDRH2D11BNP-3R3N□ | E | 3.3 \pm 25% | 154(123) | 0.88 | 0.70 | 1.00 |
| CDRH2D11BNP-4R7N□ | F | 4.7 \pm 25% | 248(198) | 0.70 | 0.56 | 0.80 |
| CDRH2D11BNP-5R6N□ | G | 5.6 \pm 25% | 264(211) | 0.65 | 0.54 | 0.75 |
| CDRH2D11BNP-6R8N□ | H | 6.8 \pm 25% | 284(227) | 0.60 | 0.50 | 0.72 |
| CDRH2D11BNP-8R2N□ | I | 8.2 \pm 25% | 376(301) | 0.52 | 0.44 | 0.60 |
| CDRH2D11BNP-100N□ | J | 10.0 \pm 25% | 428(342) | 0.48 | 0.40 | 0.58 |
| CDRH2D11BNP-150N□ | K | 15.0 \pm 25% | 663(530) | 0.40 | 0.33 | 0.46 |
| CDRH2D11BNP-180N□ | L | 18.0 \pm 25% | 730(584) | 0.36 | 0.30 | 0.43 |
| CDRH2D11BNP-220N□ | M | 22.0 \pm 25% | 801(641) | 0.35 | 0.26 | 0.42 |

※ Description of part name

CDRH2D11BNP-1R0N□

 ┌ B Box
└ C Carrier Tape

※1.Saturation Current: The DC current at which the inductance decreases to 65% of it's nominal value.

 ※2.Temperature rise current: The DC current at which the temperature rise is $\Delta t=40^{\circ}$ C.($T_a=20^{\circ}$ C).