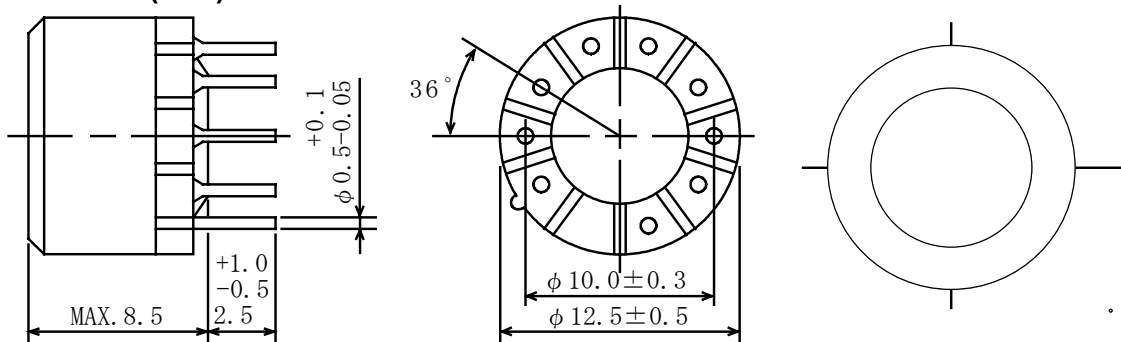
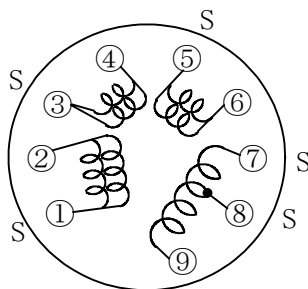


Type: LC-128
◆ Product Description

- ϕ 13.0mm Max.(L×W), 8.5mm Max. Height.
- In addition to the typical versions of parameters shown here, custom designs are available to meet your exact requirements.


◆ Feature

- Magnetically shielded construction.
- Max. Operating frequency 500kHz,
Max. Operating Power 5.0W (500kHz), 3.6W(300kHz), 1.5W(100kHz)
- Ideally used in Portable equipment, Drive for fluorescent display tube.
- RoHS Compliance

◆ Dimensions (mm)

◆ Schematics (Bottom)


“ S ” is winding start

◆ Specification

Sample No.	Inductance (7-9) 1kHz/1V	D.C.R. (1-2)	D.C.R. (3-4)	D.C.R. (5-6)
0351 -T158	2.3mH ±30%	1.18 Ω Max.	273 m Ω Max	124 m Ω Max