

# SMTC1-1000H

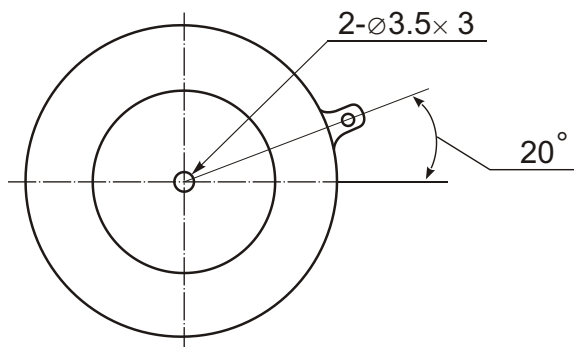


## High Frequency Thyristor

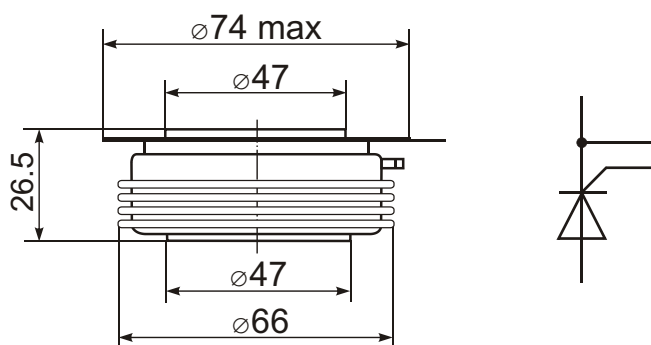


Type	$V_{RSM}$	$V_{RRM}$ , $V_{DRM}$
SMTC1-1000H-8	900	800
SMTC1-1000H-10	1100	1000
SMTC1-1000H-12	1300	1200
SMTC1-1000H-14	1500	1400
SMTC1-1000H-16	1700	1600

Type	$I_{TAVM}$ $T_c=55^\circ\text{C}$	$I_{TSM}$	(di/dt) <sub>cr</sub>	(dv/dt) <sub>cr</sub>	$V_{TM}$	$I_{TM}$	$V_{TO}$	$r_T$	$V_{GT}$	$I_{GT}$	$T_{VJM}$	$R_{thJC}$	F
	A	kA	A/ $\mu\text{s}$	V/ $\mu\text{s}$	V	kA	V	m $\Omega$	V	mA	$^\circ\text{C}$	K/W	kN
SMTC1-1000H	1000	9.6	250	500-1000	2.8	4.0	1.20	0.35	3.0	300	115	0.024	30



Type	$t_{g'}$ $(T_c=105^\circ\text{C})$	$I_T/f$
	$\mu\text{s}$	A/KHz
SMTC1-1000H-xx-PGD8	12	800/6
SMTC1-1000H-xx-OGD8	16	
SMTC1-1000H-xx-NGD8	20	



### Features:

- Hermetic metal case with ceramic insulator
- Capsule packages for double sided cooling
- High frequency performance (2.5-10 KHz)
- International standard case
- Low consumption switch

### Typical Applications:

- Inverter
- Welding machine
- Inductive heating
- Uninterruptable power supplies