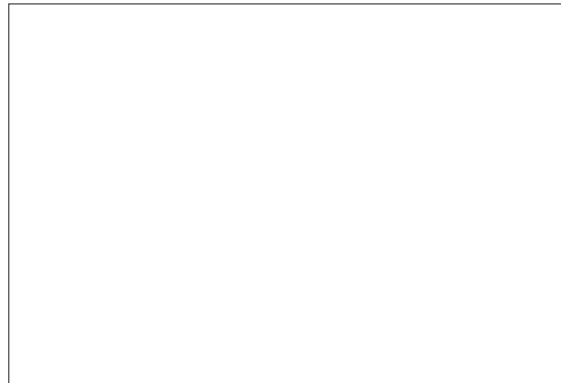
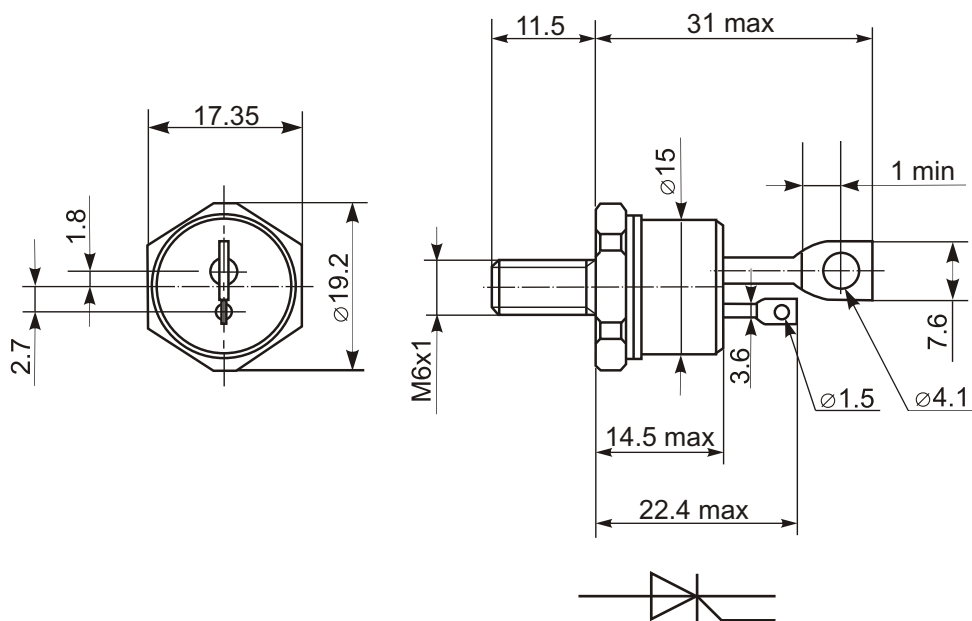


## Phase Control Thyristor



Type	$V_{RRM}$	$I_{TAVM}$ ( $T_c = 100^\circ\text{C}$ )	$I_{TRMS}$	$I_{TSM}$	$(di/dt)_{cr}$	$(dv/dt)_{cr}$	$V_{TM}$	$I_{TM}$	$V_{GT}$	$I_{GT}$	$V_{TO}$	$r_T$	$T_{VJM}$	$R_{thJC}$
	V	A	A	A	A/ $\mu\text{s}$	V/ $\mu\text{s}$	V	A	V	mA	V	m $\Omega$	$^\circ\text{C}$	K/W
SMT-25	100-1600	25 (85)	40	420	150	300	1.70	79	2.0	80	1.3	10	125	1.10



### Features:

- Hermetic metal case with ceramic insulator
- Capacity of supporting high surge current
- International standard case

### Typical Applications:

- Controlled DC power supplies
- DC motor controls
- AC switch and thermal control