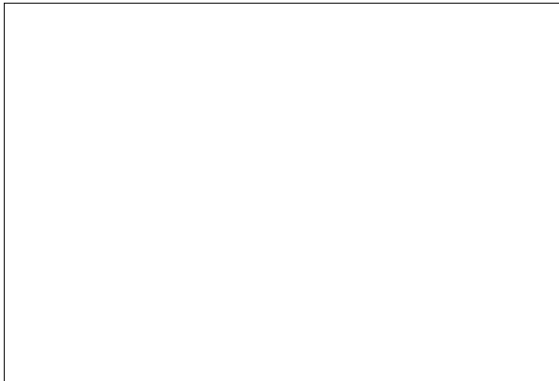


# SMDS-100H

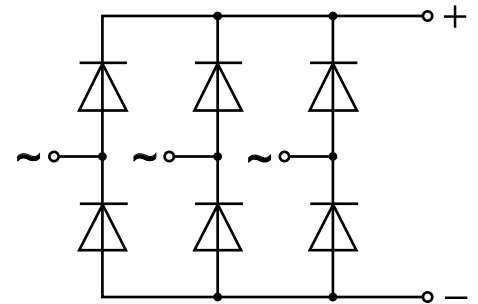
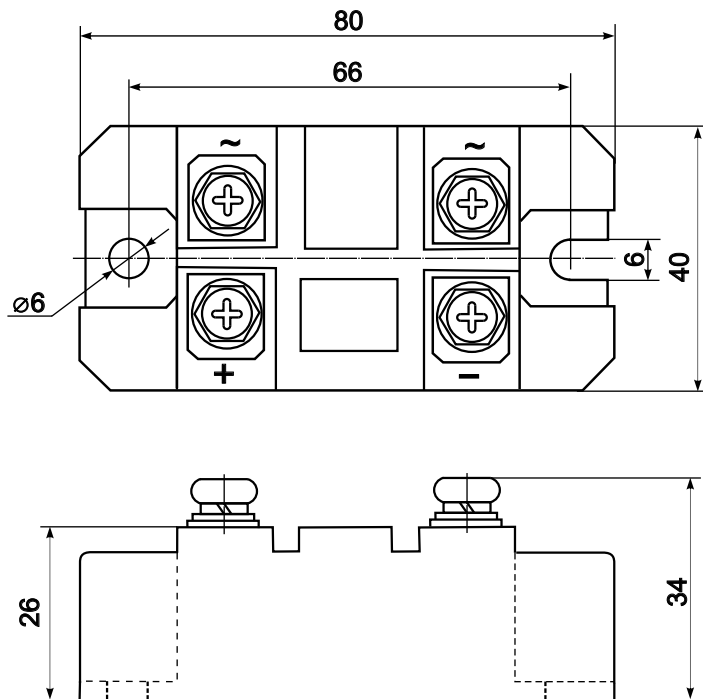


## Three Phase Rectifier Module



Type	$V_{RSM}$	$V_{RRM}$
SMDS-100H-06	800	600
SMDS-100H-08	1000	800
SMDS-100H-12	1400	1200
SMDS-100H-14	1600	1400
SMDS-100H-16	1800	1600
SMDS-100H-18	2000	1800
SMDS-100H-20	2200	2000

Type	$I_{DAV}$	$T_c$	$I_{FSM}$	$i^2t$	$V_{TM}$	$I_{FM}$	$V_{TO}$	$r_T$	$T_{VJ}$	$V_{isol}$	$R_{thJC}$
	A	$^{\circ}C$	KA	$KA^2s$	V	A	V	$m\Omega$	$^{\circ}C$	V	K/W
SMDS-100H	100	100	1.75	15.3	1.53	100	0.8	5	150	2500	0.24



### Features:

- Industrial standard package
- Heat transfer through aluminium nitride ceramic isolated metal baseplate
- Precise internal pressure contacts for high reliability
- 2500V RMS isolation voltage

### Typical Applications:

- DC power supply for instrument and equipment
- Power converters
- Electronic welders
- Lighting control