

# SMDD-400

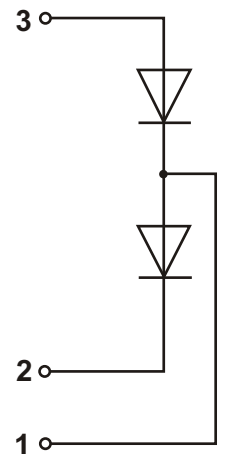
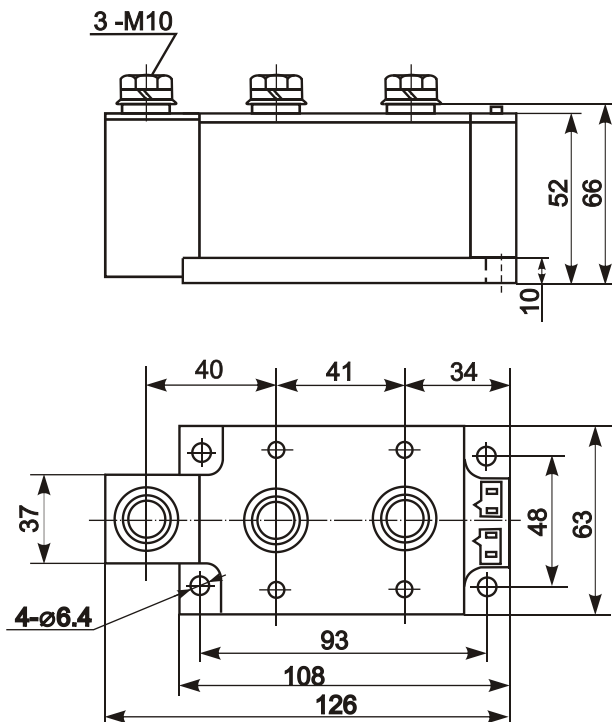


## Diode-Diode Module



Type	$V_{RSM}$	$V_{RRM}$
SMDD-400-08	900	800
SMDD-400-12	1300	1200
SMDD-400-14	1500	1400
SMDD-400-16	1700	1600
SMDD-400-18	1900	1800

Type	$I_{FAVM}$	$I_{FRMS}$	$T_c$	$I_{FSM}$	$i^2t$	$V_{TM}$	$I_{FM}$	$V_{FO}$	$r_F$	$T_{VJM}$	$V_{isol}$	$R_{thJC}$
	A	A	°C	KA	KA <sup>2</sup> s	V	A	V	mΩ	°C	V	K/W
SMDD-400	400	630	100	7.5	430	1.7	720	0.8	0.56	150	2500	0.085



### Features:

- Industrial standard package
- Heat transfer through aluminium nitride ceramic isolated metal baseplate
- Precise internal pressure contacts for high reliability
- 2500V RMS isolation voltage

### Typical Applications:

- DC power supply for instrument and equipment
- Power converters
- Electronic welders
- Lighting control