

QUADRATURE HYBRID MODEL DQS-100-500

5:1 BANDWIDTH

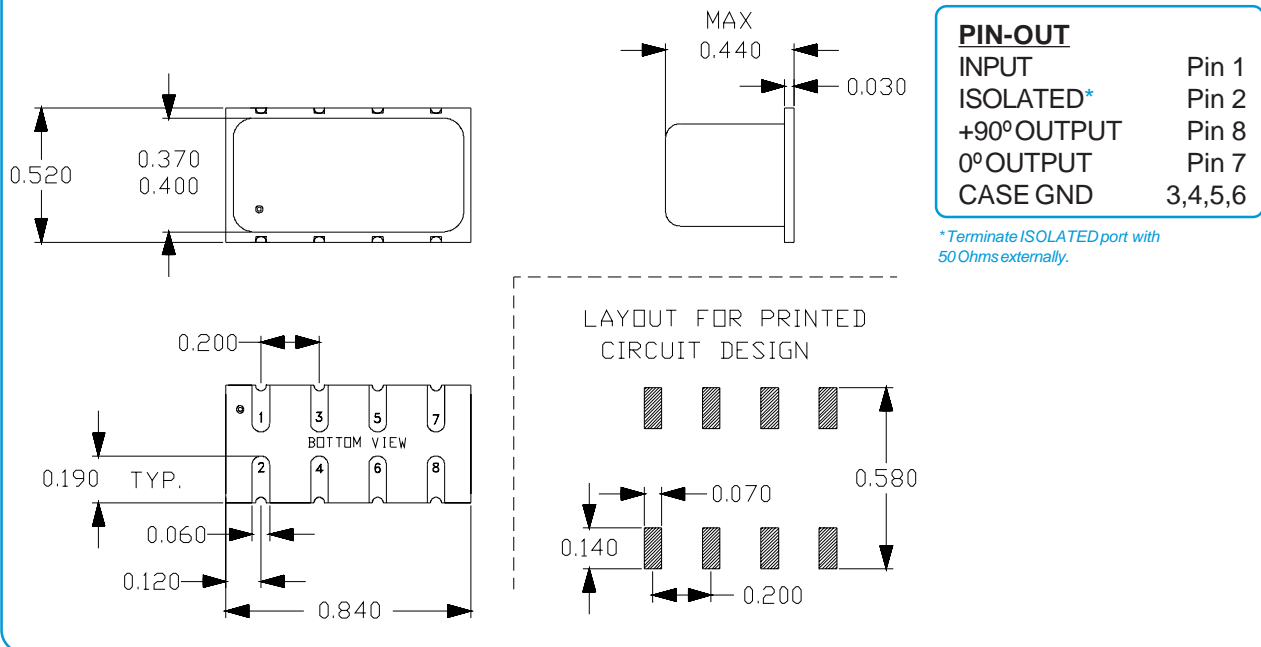
100 - 500 MHz

SPECIFICATIONS

| | | | |
|-----------------------------|------------------------------|-------------------------------|------------------------|
| Operating Frequency: | 100 - 500 MHz | Phase Unbalance: | 3.0° (Typ)/ 5.0° (Max) |
| Insertion Loss: | 1.2 dB (Typ) / 1.5 dB (Max) | VSWR: | 1.4:1 (Typ) |
| Isolation: | 25 dB (Typ)/16 dB (Min) | Input Power Rating | 1 Watt (Max) |
| Amplitude Unbalance: | 0.8 dB (Typ) / 1.25 dB (Max) | Impedance: | 50 Ohms |
| | | Operating Temp. Range: | -20° to +70°C |



MECHANICAL OUTLINE: 102S



QUADRATURE HYBRID MODEL DQS-100-500

5:1 BANDWIDTH

100 - 500 MHz

PERFORMANCE PLOTS

