

# QUADRATURE HYBRID MODEL DQP-100-500

5:1 BANDWIDTH

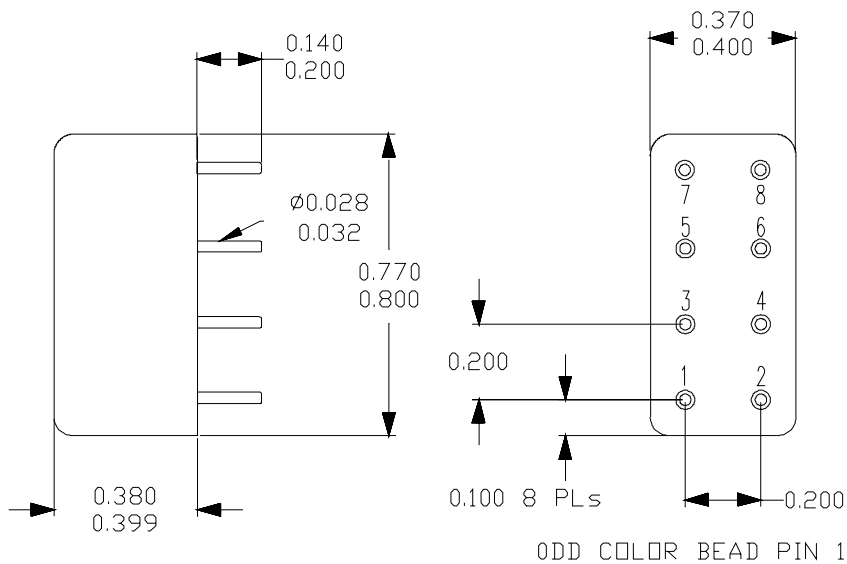
100 - 500 MHz

## SPECIFICATIONS

<b>Operating Frequency:</b>	100 - 500 MHz	<b>Phase Unbalance:</b>	3.0° (Typ)/ 5.0° (Max)
<b>Insertion Loss:</b>	1.2 dB (Typ) / 1.5 dB (Max)	<b>VSWR:</b>	1.4:1 (Typ)
<b>Isolation:</b>	25 dB (Typ)/16 dB (Min)	<b>Input Power Rating</b>	1 Watt (Max)
<b>Amplitude Unbalance:</b>	0.8 dB (Typ) / 1.25 dB (Max)	<b>Impedance:</b>	50 Ohms
		<b>Operating Temp. Range:</b>	-20° to +70°C



## MECHANICAL OUTLINE: 102



### PIN-OUT

INPUT	Pin 1
ISOLATED*	Pin 2
+90° OUTPUT	Pin 8
0° OUTPUT	Pin 7
CASE GND	3,4,5,6

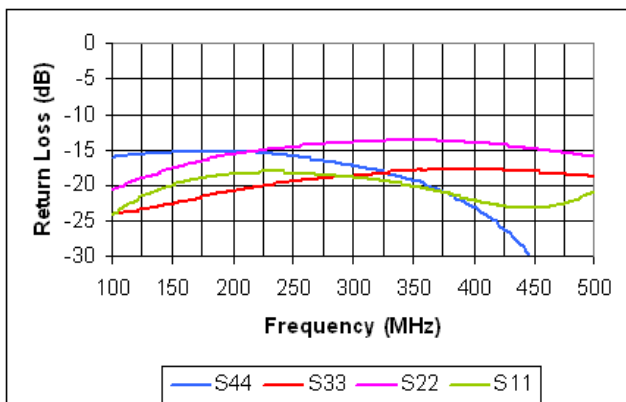
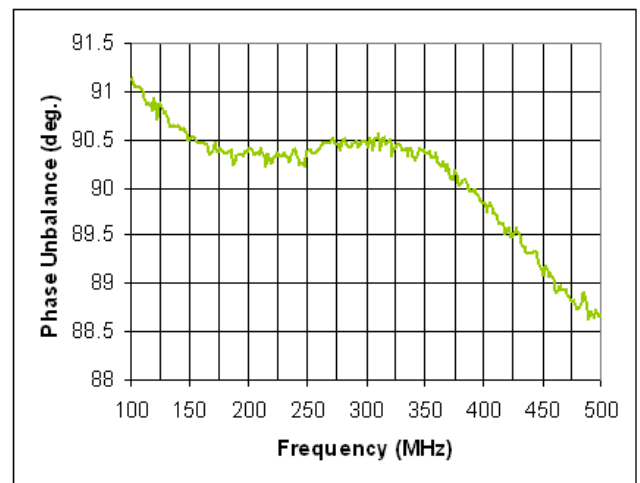
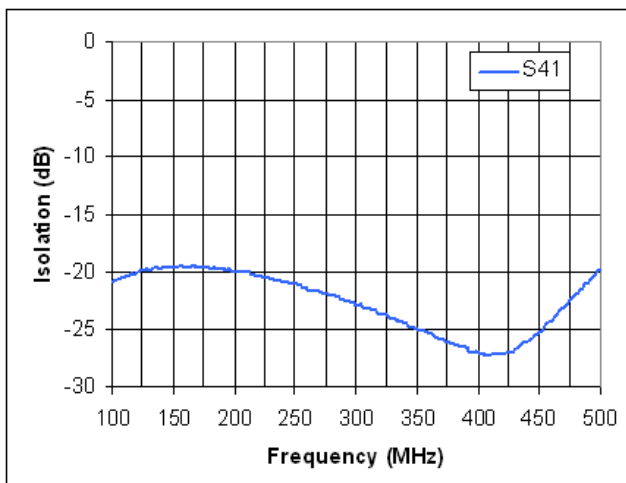
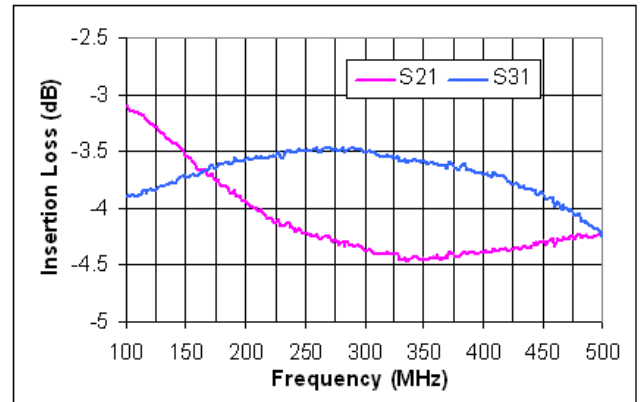
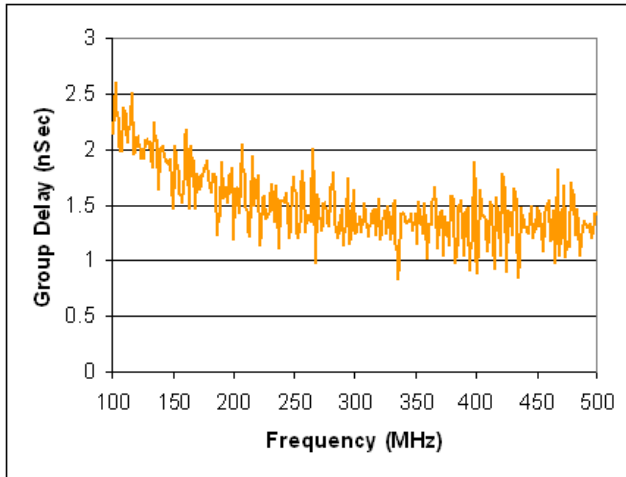
\* Terminate ISOLATED port with 50 Ohms externally.

# QUADRATURE HYBRID MODEL DQP-100-500

5:1 BANDWIDTH

100 - 500 MHz

## PERFORMANCE PLOTS



Copyright © 2003 Synergy Microwave Corporation

201 McLean Boulevard • Paterson, New Jersey 07504 • Tel: (973) 881-8800 • Fax: (973) 881-8361  
E-Mail: sales@synergymw.com • World Wide Web: http://www.synergymw.com

