

0.50mm

(0.02'') PITCH CONNECTOR

FPC/FFC Connectors

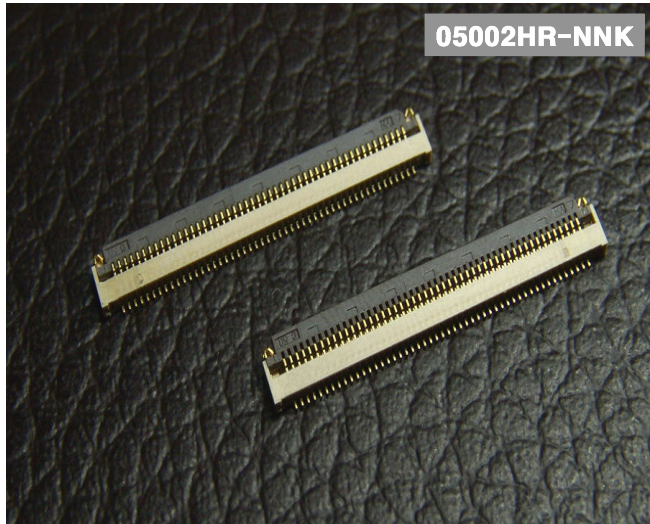
Housing

Emboss Type

SMT Type

Bottom Contact

ZIF Type



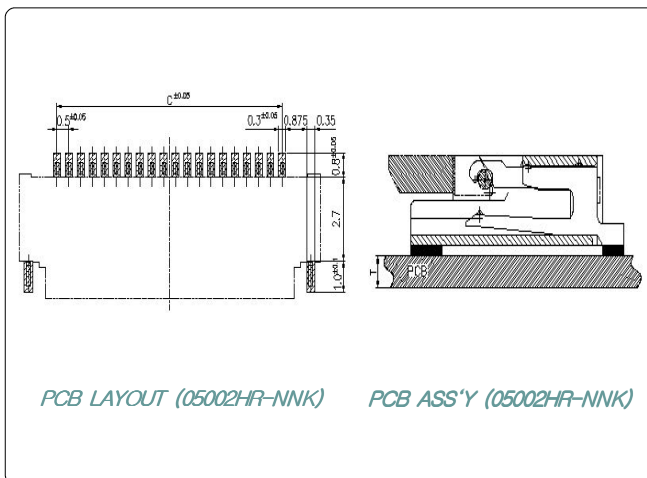
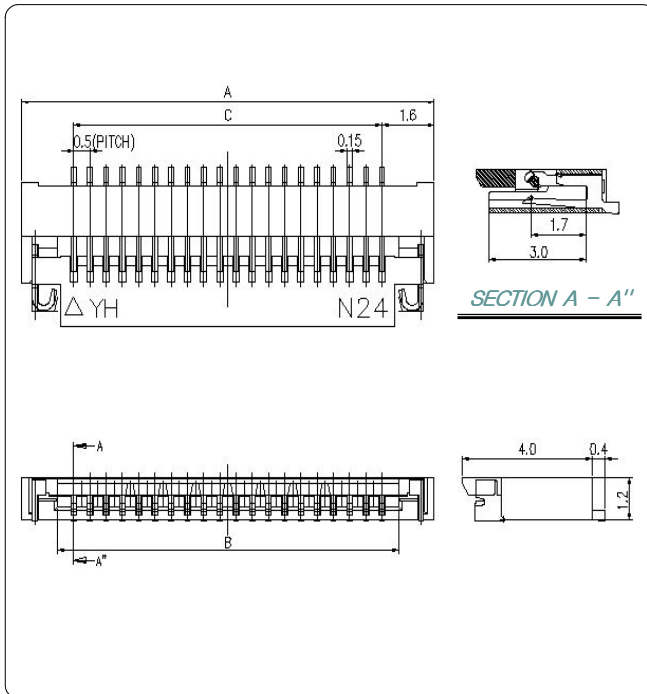
05002HR-NNK

Material

I/NO	DESCRIPTION	MATERIAL
1	HOUSING	PA46 or LCP, UL94V-0
2	ACTUATOR	PPS, UL94V-0
3	TERMINAL	Brass, Au-plated
4	HOOK	Brass, Au-plated

Available Pin

PARTS NO.	A	B	C
05002HR-04K	4.7	2.5	1.5
05002HR-06K	5.7	3.5	2.5
05002HR-08K	6.7	4.5	3.5
05002HR-09K	7.2	5.0	4.0
05002HR-13K	9.2	7.0	6.0
05002HR-15K	10.2	8.0	7.0
05002HR-17K	11.2	9.0	8.0
05002HR-20K	12.7	10.5	9.5
05002HR-21K	13.2	11.0	10.0
05002HR-24K	14.7	12.5	11.5
05002HR-27K	16.2	14.0	13.0
05002HR-30K	17.7	15.5	14.5
05002HR-34K	19.7	17.5	16.5
05002HR-40K	22.7	20.5	19.5
05002HR-50K	27.7	25.5	24.5
05002HR-60K	32.7	30.5	29.5



PCB LAYOUT (05002HR-NNK) PCB ASS'Y (05002HR-NNK)

Specification

ITEM	SPEC
Voltage Rating	AC/DC 50V
Current Rating	AC/DC 0.4A
Operating Temperature	-25°C ~ +85°C
Contact Resistance	30mΩ MAX
Withstanding Voltage	AC150V/1min
Insulation Resistance	100MΩ MIN
Applicable Wire	-
Applicable P.C.B	0.8 ~ 1.6mm
Applicable FPC/FFC	0.30±0.02mm
Solder Height	0.15mm
Crimp Tensile Strength	-
UL FILE NO	-