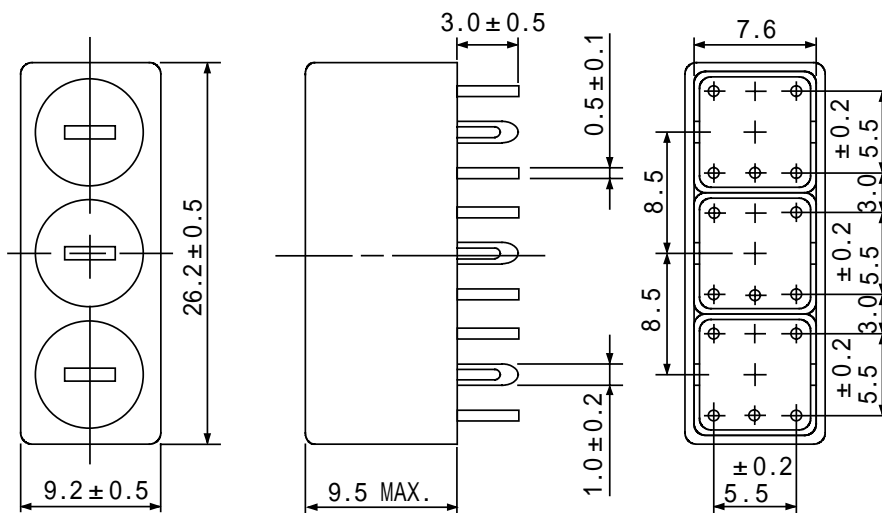


**Type: TFB-3LDG**
**Product Description**

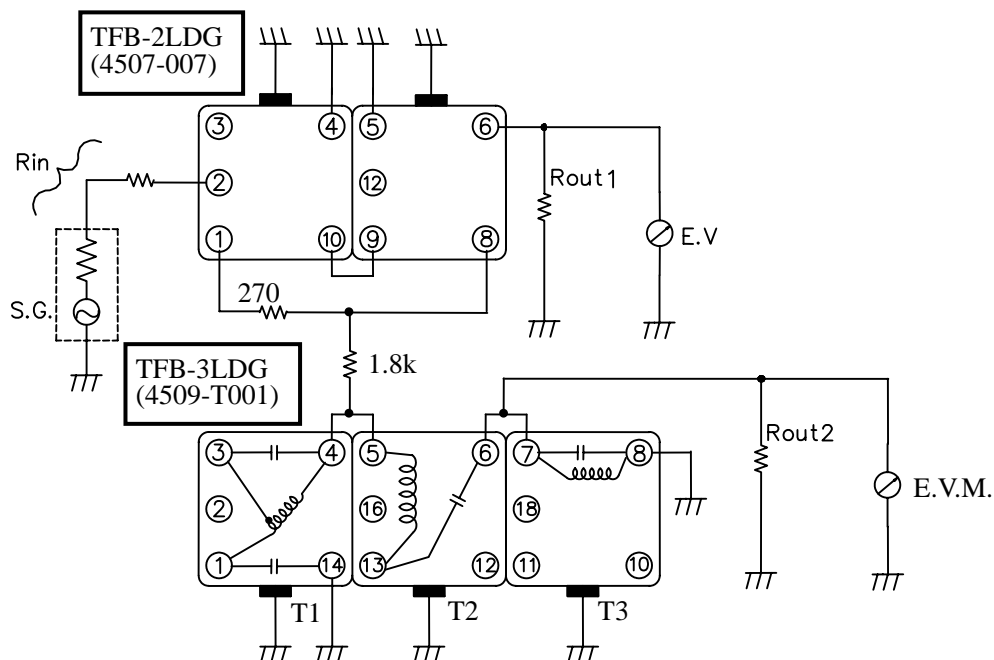
- 26.7 × 9.7mm Max.(L × W), 9.5mm Max. Height.
- Operating frequency:10~200kHz
- In addition to the reference versions of parameters shown here, custom designs are available to meet your exact requirements

**Feature**

- Variable shielded type with three individual coils combined.
- Two capacitors can be internally mounted in one section.
- Can be combined with TFB-2LDG to get desired attenuation response.
- Ideally used in VCR, Video Cameras as Audio LC filters(LPF, BPF, Delay Line and Equalizers).
- RoHS Compliance

**Dimensions (mm)**


- \* Dimension does not include solder used on coil.
- \* Pin pitch should be measured at the root of terminal.
- \* Dimensions without tolerance are approx.

**Type: TFB-3LDG**
**Testing circuit** (Combined with TFB-2LDG)

**Specification**(Part No: 4509-T001)

Item		Specification
Center frequency		31.468kHz
Input impedance	(Rin)	220Ω
Output impedance	(Rout1)	30kΩ
	(Rout2)	2.2kΩ
Attenuation (OUT 2)	10kHz	13dB Min.
	15.734kHz	15dB Min.
	18kHz	3.0dB Max.
	43kHz	3.0dB Max.
	47.202kHz	15dB Min.
	55.069kHz	22dB Min.
	80kHz	15dB Min.
OUT 1 output level	55.069kHz	14dB±2dB within
Group delay time (OUT2)	31.468kHz	20μS±15% within

Type: TFB-3LDG

Frequency Response (Combined with TFB-2LDG ,Attenuation 0dB at 31.468KHz)

