

Type: TFB-2LDG

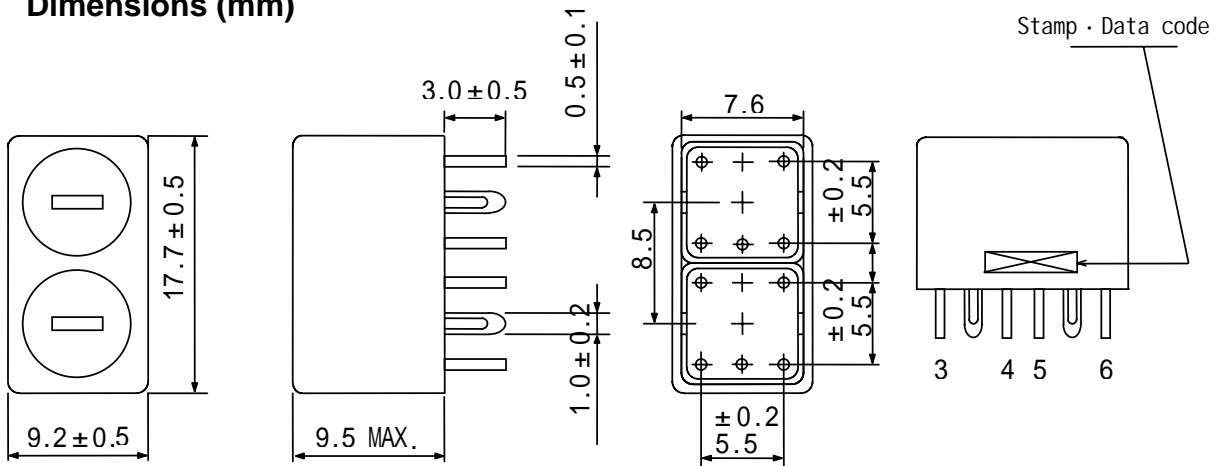
Product Description

- 18.2 × 9.7mm Max.(L × W), 9.5mm Max. Height.
- Operating frequency: 10~200kHz
- In addition to the reference versions of parameters shown here, custom designs are available to meet your exact requirements

Feature

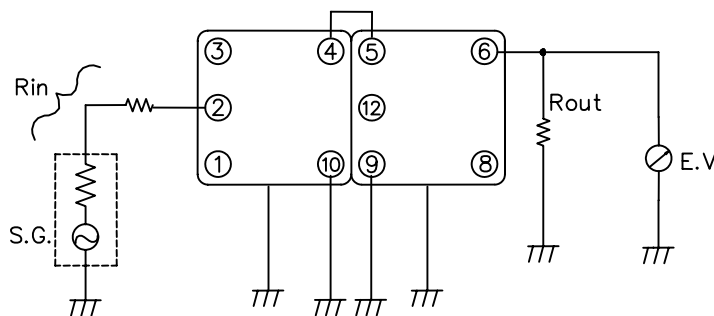
- Variable shielded type with two individual coils combined.
- Two capacitors can be internally mounted in one section.
- Ideally used in VCR, Video Cameras as Audio LC filters(LPF, BPF, Delay Line and Equalizers).
- RoHS Compliance

Dimensions (mm)



- * Dimension does not include solder used on coil.
- * Pin pitch should be measured at the root of terminal.
- * Dimensions without tolerance are approx.

Testing circuit (Combined with TFB-2LDG)



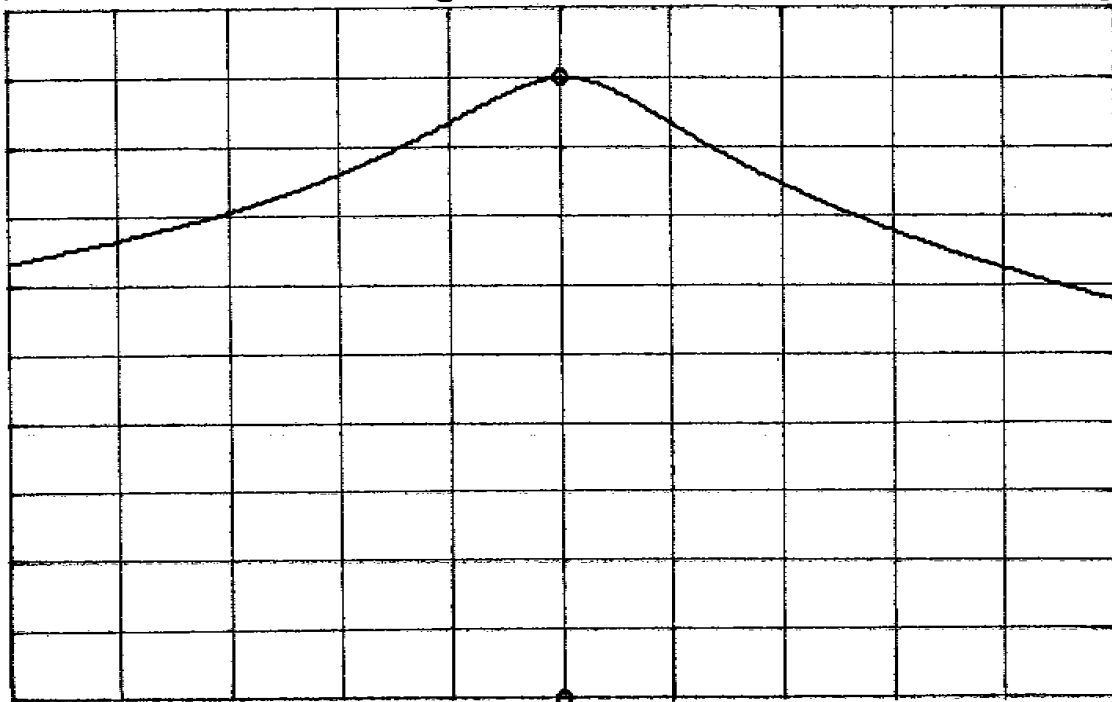
Type: TFB-2LDG

Specification(Part No: 4507-T017)

Item	Specification
Input impedance (Rin)	12kΩ
Output impedance (Rout)	12kΩ
Center frequency	112kHz
Band width (-3dB)	2.4kHz (Typ.)
Attenuation	100kHz 29dB (Typ.)
	124kHz 36dB (Typ.)
Insertion loss 112kHz	8.5dB (Typ.)

Frequency Response (Attenuation 0dB at 112KHz)

A: T/R (dB) B: θ o MKR 112 000.000 Hz
 A MAX 1.400 dB GAIN -8.48870 dB
 B MAX 250.0 deg PHASE deg



A/DIV 10.00 dB CENTER 112 000.000 Hz
 B/DIV 50.00 deg SPAN 20 000.000 Hz
 PSCALE=1400, 850, 8500, 7200