

TOSHIBA CMOS DIGITAL INTEGRATED CIRCUIT SILICON MONOLITHIC

T6B66BFG

ROW DRIVER LSI FOR DOT MATRIX LCD

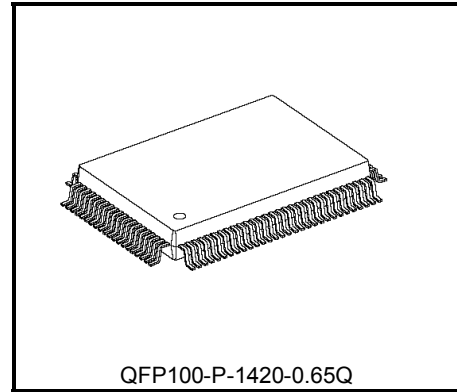
The T6B66BFG is a row (common) driver LSI for a small- or medium-scale dot matrix LCD.

The T6B66BFG generates timing signals for the display using an on-chip oscillator and also controls the T6B65AFG column (segment) LCD driver.

Four duty options are available: 1/17, 1/33, 1/49 and 1/65.

The IC is equipped with 65 low-impedance row-driver outputs. Moreover, the IC incorporates internal resistors to divide the bias voltage, a power supply operational amplifier, DC-DC converter and a contrast control circuit; it is therefore easy to construct a low-power LCD system consisting of a T6B66BFG and a T6B65AFG column (segment) LCD driver.

T6B66BFG is lead (Pb)-free product.

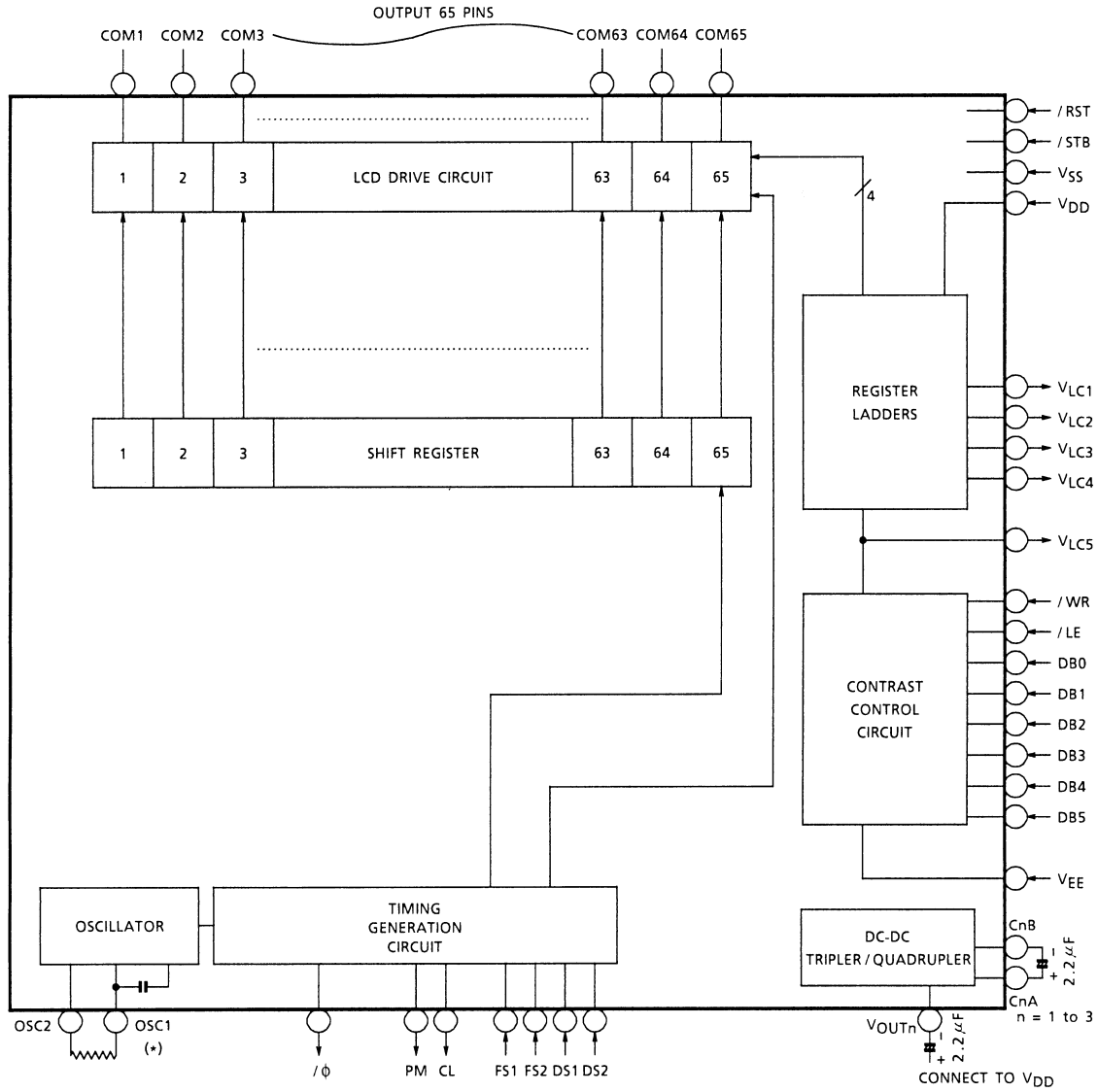


Weight: 1.6 g (typ.)

Features

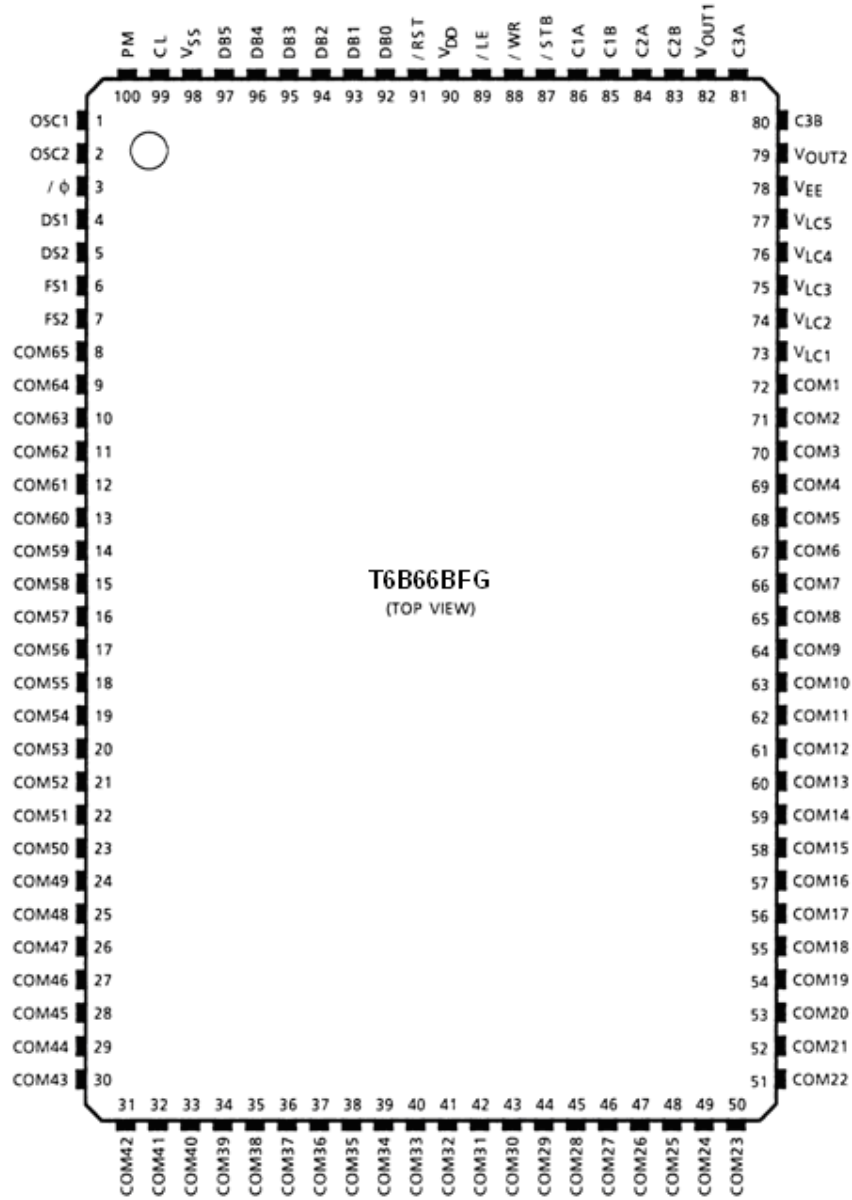
- Row signal for LCD
- 65 low-impedance LCD driver outputs
- On-chip oscillator with external resistor and internal capacitor
- Duty : 1/17, 1/33, 1/49, 1/65
- Low power consumption
- Logic power supply : 2.7 to 5.5 V
- LCD power supply : $V_{DD} - 4.0$ to $V_{DD} - 16.0$ V
- CMOS Si-Gate process
- 100-pin plastic flat package

Block Diagram



*: When external clock operation is used, the clock should be input to OSC1.

Pin Assignment



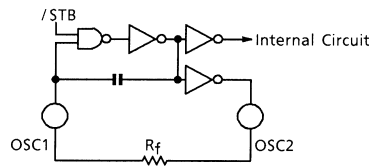
Pin Functions

Pin Name	Pin No.	I / O	Functions																									
COM1 to COM65	8 to 72	Output	Row driver outputs																									
CL	99	Output	Shift clock pulse for T6B65AFG																									
PM	100	Output	Pre-Frame signal for T6B65AFG																									
/ ϕ	3	Output	Clock signal for T6B65AFG																									
/LE	89	Input	Latch Enable signal																									
/WR	88	Input	Write Enable signal																									
DB0 to DB5	92 to 97	Input	Data bus																									
DS1, DS2	4, 5	Input	Display duty select <table border="1" style="margin-left: 20px;"> <thead> <tr> <th>Display Duty</th> <th>1 / 17</th> <th>1 / 33</th> <th>1 / 49</th> <th>1 / 65</th> </tr> </thead> <tbody> <tr> <td>DS1</td> <td>0</td> <td>1</td> <td>0</td> <td>1</td> </tr> <tr> <td>DS2</td> <td>0</td> <td>0</td> <td>1</td> <td>1</td> </tr> </tbody> </table>	Display Duty	1 / 17	1 / 33	1 / 49	1 / 65	DS1	0	1	0	1	DS2	0	0	1	1										
Display Duty	1 / 17	1 / 33	1 / 49	1 / 65																								
DS1	0	1	0	1																								
DS2	0	0	1	1																								
FS1, FS2	6, 7	Input	Frequency select <table border="1" style="margin-left: 20px;"> <thead> <tr> <th>FS1</th> <th>FS2</th> <th>f_{OSC} (kHz)</th> <th>f_{PM} (Hz)</th> <th>f / ϕ (kHz)</th> </tr> </thead> <tbody> <tr> <td>0</td> <td>0</td> <td>26.88</td> <td>35</td> <td>13.44</td> </tr> <tr> <td>1</td> <td>0</td> <td>53.76</td> <td>35</td> <td>26.88</td> </tr> <tr> <td>0</td> <td>1</td> <td>215.0</td> <td>35</td> <td>107.5</td> </tr> <tr> <td>1</td> <td>1</td> <td>430.1</td> <td>35</td> <td>215.0</td> </tr> </tbody> </table>	FS1	FS2	f _{OSC} (kHz)	f _{PM} (Hz)	f / ϕ (kHz)	0	0	26.88	35	13.44	1	0	53.76	35	26.88	0	1	215.0	35	107.5	1	1	430.1	35	215.0
FS1	FS2	f _{OSC} (kHz)	f _{PM} (Hz)	f / ϕ (kHz)																								
0	0	26.88	35	13.44																								
1	0	53.76	35	26.88																								
0	1	215.0	35	107.5																								
1	1	430.1	35	215.0																								
/STB	87	Input	Standby pin: When /STB = L, all clocks stop.																									
/RST	91	Input	Reset signal pin: When /RST = L, registers are cleared.																									
OSC1, OSC2	1, 2	Input	When using the internal clock oscillator, connect a resistor or ceramic oscillator between OSC1 and OSC2. When using an external clock, connect the clock to OSC1 and leave OSC2 open.																									
V _{OUT1}	82	Output	DC-DC output pin																									
V _{OUT2}	79	Output	DC-DC output pin																									
CnA to CnB	85, 86, 83, 84, 80, 81	—	Connect using a capacitor for the DC-DC converter (n = 1 to 3)																									
V _{DD} , V _{SS}	90, 98	—	Power supply																									
V _{LC1} to V _{LC5}	73 to 77	—	Power supply for the LCD drive																									
V _{EE}	78	—	Power supply for the LCD drive																									

Function of Each Block

- **Oscillator**

The T6B66BFG has an on-chip oscillator with one external resistor.



Relation between oscillation frequency and R_f

R_f	f_{OSC}	FS1	FS2
51 k Ω	430 kHz	H	H
110 k Ω	215 kHz	L	H
460 k Ω	54 kHz	H	L
1100 k Ω	27 kHz	L	L

Note: The resistance values are typical values.
The oscillation frequency depends on how the device is mounted. It is necessary to adjust the oscillation frequency to a target value.

- **Timing generation circuit**

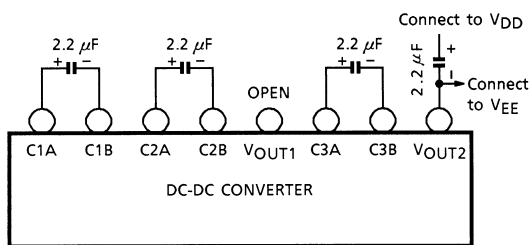
This circuit divides the signals from the oscillator and generates display timing signals (CL, PM) and the operating clock (ϕ) signal.

- **Shift register**

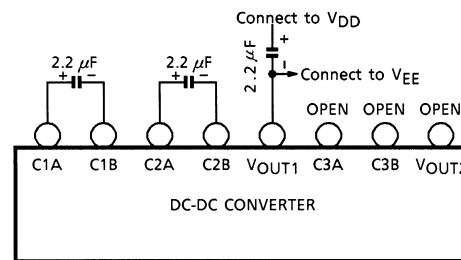
65-bit shift register

- **DC-DC converter (tripler and quadrupler)**

The T6B66BFG has an on-chip DC-DC tripler and quadrupler. When $/STB = L$, V_{OUT1} and $V_{OUT2} = V_{DD}$. A 2.2 to 10- μ F capacitor is recommended for this DC-DC Converter.



Quadrupler mode

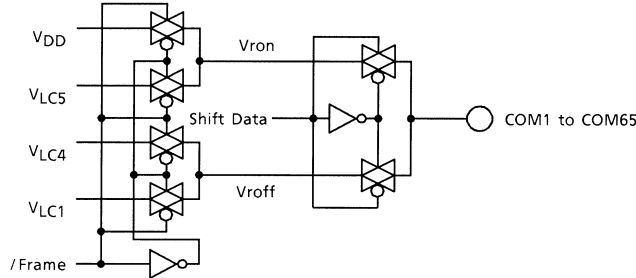


Tripler mode

When not using the DC-DC converter, leave the C_{nA} , C_{nB} and V_{OUTn} pins open and connect an external VEE supply.

● Row driver circuit and LCD voltage generation circuit

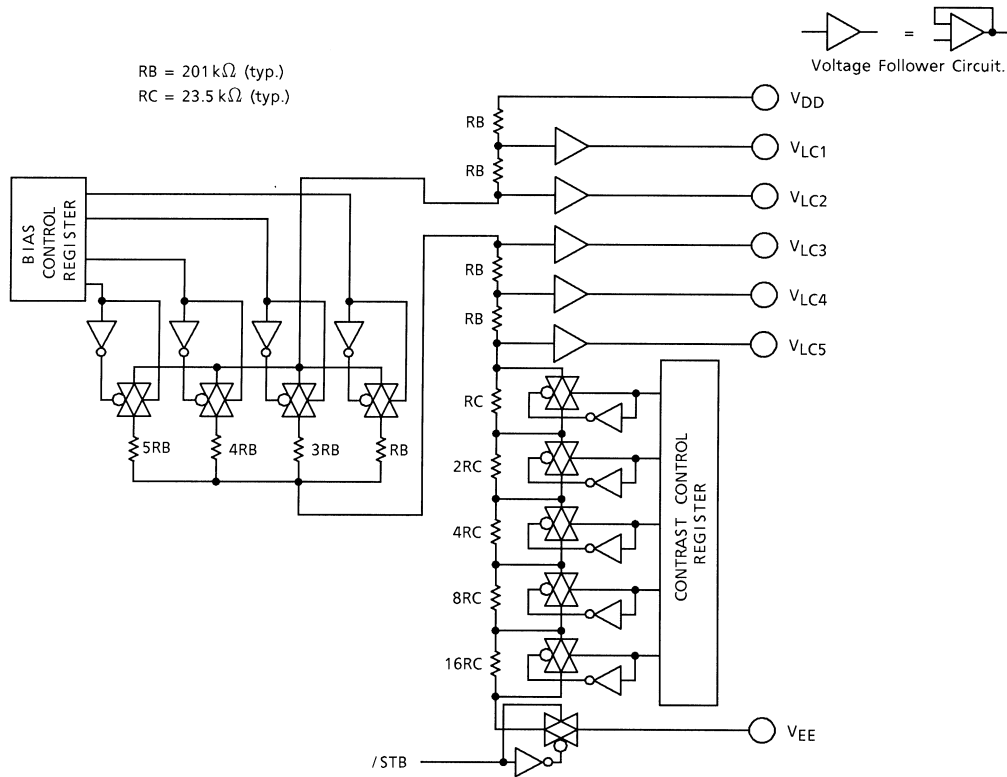
The row driver circuit consists of 65 driver circuits. The combination of the data from the shift register and the Frame signal selects one of the four LCD levels. Details of the voltage generation circuit and the row driver circuit are shown in the diagram below.



● Resistor ladder, contrast control circuit

The T6B66BFG has an on-chip resistor with an op-amp, bias selector and a contrast control circuit. The contrast control circuit allows 32 levels of contrast adjustment by software. The bias selector uses software to select the bias: 1 / 5, 1 / 7, 1 / 8 or 1 / 9.

Details of the resistor ladder and the contrast control circuit are shown in the diagram below.



Command Details

Code						Function
DB5	DB4	DB3	DB2	DB1	DB0	
1	CONTRAST (0 to 31)					Set Contrast
0	1	1	*	*	*	Test Mode Select
0	1	0	1	1 / 0	1 / 0	Op-Amp Control OP1
0	1	0	0	*	1 / 0	Op-Amp ON / OFF
0	0	0	1	R ₁	R ₂	Bias Control
0	0	0	0	1	1 / 0	Display ON / OFF

*: INVALID

- **Set contrast**

DB5	DB4	DB3	DB2	DB1	DB0
1	D	D	D	D	D

Range: 20H to 3FH

This command sets the contrast for the LCD. The T6B66BFG has 32 levels of contrast: 20H (bright) ← → 3FH (dark).

- **Test mode select**

DB5	DB4	DB3	DB2	DB1	DB0
0	1	1	*	*	*

*: INVALID

This command selects the test mode. Do not use this command.

- **Op-Amp control 1 (OP1)**

DB5	DB4	DB3	DB2	DB1	DB0
0	1	0	1	1 / 0	1 / 0

Range: 14H to 17H

This command sets the power supply level for the op-amp. This command selects one of four levels. The command 14H selects the lowest level and 17H the maximum level.

Notes: When L is input to / RST, the power supply level is the minimum level.

● **Op-amp ON / OFF**

DB5	DB4	DB3	DB2	DB1	DB0	Op-amp ON (0) / OFF (1) *: INVALID
0	1	0	0	*	1 / 0	

Range: 10H to 11H
 This command sets the op-amp ON / OFF.
 When using an external op-amp, the command 11H is used.

● **Bias control**

DB5	DB4	DB3	DB2	DB1	DB0	
0	0	0	1	1 / 0	1 / 0	

SET UP	BIAS
04H	1 / 5
05H	1 / 7
06H	1 / 8
07H	1 / 9

Range: 04H to 07H
 This command sets the bias for the LCD power supply.

● **Display ON / OFF**

DB5	DB4	DB3	DB2	DB1	DB0	Display ON (1) / OFF (0)
0	0	0	0	1	1 / 0	

Range: 02H to 03H
 This command controls the display ON / OFF setting.
 When the display is OFF, all the common output waveforms return to the VDD level.
 Note: When L is input to / RST, the display is set to OFF.

Absolute Maximum Ratings (Ta = 25°C)

Item	Symbol	Rating	Unit
Supply Voltage (1)	V _{DD} (Note 1)	-0.3 to 7.0	V
Supply Voltage (2)	V _{EE1, 2} (Note 3)	V _{DD} - 18.0 to V _{DD} + 0.3	V
Input Voltage	V _{in} (Note 1, 2)	-0.3 to V _{DD} + 0.3	V
Operating Temperature	T _{opr}	-20 to 75	°C
Storage Temperature	T _{stg}	-55 to 125	°C

Note 1: Referenced to V_{SS}
 Note 2: Applies to data bus and I / O pins
 Note 3: Ensure that the following condition is always maintained:
 V_{DD} ≥ V_{EE1}, V_{EE2}.

Electrical Characteristics

DC Characteristics

Test Conditions (1)

(Unless otherwise noted, $V_{SS} = 0\text{ V}$, $V_{DD} = 3.0 \pm 10\%$, $V_{DD} - V_{EE} = 16\text{ V}$, $T_a = -20\text{ to }75^\circ\text{C}$)

Item	Symbol	Test Circuit	Test Condition	Min	Typ.	Max	Unit	Pin Name
Operating Supply (1)	V_{DD}	—	—	2.7	—	3.3	V	V_{DD}
Operating Supply (2)	V_{EE}	—	—	V_{DD} -16.0	—	V_{DD} -4.0	V	V_{EE}
Input Voltage	H Level	V_{IH}	—	0.8 V_{DD}	—	V_{DD}	V	DS1, DS2 DB0 to DB5, / LE, / WR, / STB, / RST, FS1, FS2
	L Level	V_{IL}	—	0	—	0.2 V_{DD}	V	
Output Voltage	H Level	V_{OH}	—	V_{DD} -0.4	—	—	V	CL, PM, / ϕ
	L Level	V_{OL}	—	$I_{OL} = 400\ \mu\text{A}$	—	0.4	V	
Row Driver Output Resistance	R_{row}	—	$V_{DD} - V_{LC5} = 16.0\text{ V}$ Load current = $\pm 100\ \mu\text{A}$	—	—	1.5	k Ω	COM1 to COM65
Input Leakage	I_{IL}	—	$V_{in} = V_{DD}\text{ to }V_{SS}$	-1	—	1	μA	DB0 to DB5, / LE, / WR, / STB, / RST, FS1, FS2, DS1, DS2
Operating Frequency	f_{ϕ}	—	—	10	—	250	kHz	/ ϕ
External Clock Frequency	f_{ex}	—	—	20	—	500	kHz	OSC1
External Clock Duty	f_{duty}	—	—	45	50	55	%	OSC1
External Clock Rise / Fall Time	t_r / t_f	—	—	—	—	50	ns	OSC1
Current Consumption (1)	I_{SS}	1	(Note 1)	—	-200	-300	μA	V_{SS}
Current Consumption (2)	I_{EE}	2	(Note 2)	—	-60	-80	μA	V_{EE}
Current Consumption (3)	I_{DD}	3	(Note 3)	—	430	550	μA	V_{DD}
Current Consumption (4)	I_{STB}	4	(Note 4)	-1	—	1	μA	V_{DD}

Note 1: Logic current : $V_{EE} = V_{DD} - 16\text{ V}$, 1 / 65 duty, $R_f = 47\text{ k}\Omega$, no load, op-amp minimum power supply level

Note 2: LCD driver current : $V_{EE} = V_{DD} - 16\text{ V}$, 1 / 9 bias, $R_f = 47\text{ k}\Omega$, no load, op-amp minimum power supply level

Note 3: All currents : $V_{DD} = 3.0\text{ V}$, $V_{OUT2} = V_{EE}$ (quadrupler mode), 1 / 65 duty, 1 / 9 bias, $R_f = 47\text{ k}\Omega$, no load, op-amp minimum power supply level

Note 4: Standby current : $V_{DD} = 3.0\text{ V} \pm 10\%$, $V_{OUT} = V_{EE}$, $T_a = 25^\circ\text{C}$, / STB = L, no load

Test Conditions (2)

(Unless otherwise noted, $V_{SS} = 0\text{ V}$, $V_{DD} = 5.0 \pm 10\%$, $V_{DD} - V_{EE} = 16\text{ V}$, $T_a = -20\text{ to }75^\circ\text{C}$)

Item	Symbol	Test Circuit	Test Condition	Min	Typ.	Max	Unit	Pin Name
Operating Supply (1)	V_{DD}	—	—	4.5	—	5.5	V	V_{DD}
Operating Supply (2)	V_{EE}	—	—	$V_{DD} - 16.0$	—	$V_{DD} - 4.0$	V	V_{EE}
Input Voltage	H Level	V_{IH}	—	0.7 V_{DD}	—	V_{DD}	V	DS1, DS2 DB0 to DB5, / LE, / WR, / STB, / RST, FS1, FS2
	L Level	V_{IL}	—	0	—	0.3 V_{DD}	V	
Output Voltage	H Level	V_{OH}	—	$V_{DD} - 0.4$	—	—	V	CL, PM, / ϕ
	L Level	V_{OL}	—	—	—	0.4	V	
Row Driver Output Resistance	R_{row}	—	$V_{DD} - V_{LC5} = 16.0\text{ V}$ Load current = $\pm 100\ \mu\text{A}$	—	—	1.5	k Ω	COM1 to COM65
Input Leakage	I_{IL}	—	$V_{in} = V_{DD}\text{ to }V_{SS}$	-1	—	1	μA	DB0 to DB5, / LE, / WR, / STB, / RST, FS1, FS2, DS1, DS2
Operating Frequency	f_{ϕ}	—	—	10	—	250	kHz	/ ϕ
External Clock Frequency	f_{ex}	—	—	20	—	500	kHz	OSC1
External Clock Duty	f_{duty}	—	—	45	50	55	%	OSC1
External Clock Rise / Fall Time	t_r / t_f	—	—	—	—	50	ns	OSC1
Current Consumption (1)	I_{SS}	1	(Note 5)	—	-490	-680	μA	V_{SS}
Current Consumption (2)	I_{EE}	2	(Note 6)	—	-60	-80	μA	V_{EE}
Current Consumption (3)	I_{DD}	3	(Note 7)	—	680	900	μA	V_{DD}
Current Consumption (4)	I_{STB}	4	(Note 8)	-1	—	1	μA	V_{DD}

Note 5: Logic current : $V_{EE} = V_{DD} - 16\text{ V}$, 1 / 65 duty, $R_f = 47\text{ k}\Omega$, no load, op-amp minimum power supply level

Note 6: LCD driver current : $V_{EE} = V_{DD} - 16\text{ V}$, 1 / 9 bias, $R_f = 47\text{ k}\Omega$, no load, op-amp minimum power supply level

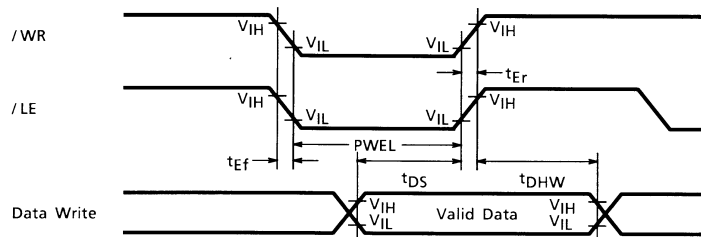
Note 7: All currents : $V_{DD} = 5.0\text{ V}$, $V_{OUT1} = V_{EE}$ (trippler mode), 1 / 65 duty, 1 / 9 bias, $R_f = 47\text{ k}\Omega$, no load, op-amp minimum power supply level

Note 8: Standby current : $V_{DD} = 5.0\text{ V}$, $V_{OUT} = V_{EE}$, $T_a = 25^\circ\text{C}$, / STB = L, no load

Item	Symbol	Test Circuit	Test Condition	Min	Typ.	Max	Unit	Pin Name
Output Voltage (Tripler Mode)	VO1	5	(Note 9)	-9.47	-9.57	—	V	V _{OUT1}
Output Voltage (Quadrupler Mode)	VO2	6	(Note 10)	-8.07	-8.22	—	V	V _{OUT2}

Note 9: V_{DD} = 5.0 V, I_{Load} = 500 μA, V_{EE} = -10.0 V (external voltage)
 C_{nA} - C_{nB} = 2.2 μF, V_{DD} - V_{OUT1} = 2.2 μF, R_f = 47 kΩ, Ta = 25°C
 Note 10: V_{DD} = 3.0 V, I_{Load} = 500 μA, V_{EE} = -9.0 V (external voltage)
 C_{nA} - C_{nB} = 2.2 μF, V_{DD} - V_{OUT2} = 2.2 μF, R_f = 47 kΩ, Ta = 25°C

AC Characteristics



Test Conditions (1) (V_{SS} = 0 V, V_{DD} = 3.0 V ± 10%, V_{DD} - V_{EE} = 16 V, Ta = -20 to 75°C)

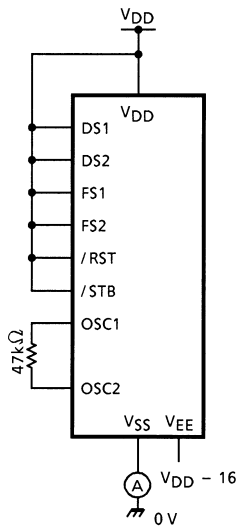
Item	Symbol	Min	Max	Unit
Enable Rise / Fall Time	t _{Er} , t _{Ef}	—	25	ns
Enable Pulse Width	PWEL	60	—	ns
Data Set-up Time	t _{DS}	60	—	ns
Data Hold Time	t _{DHW}	10	—	ns

Test Conditions (2) (V_{SS} = 0 V, V_{DD} = 5.0 V ± 10%, V_{DD} - V_{EE} = 16 V, Ta = -20 to 75°C)

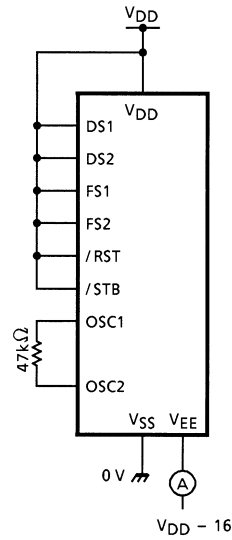
Item	Symbol	Min	Max	Unit
Enable Rise / Fall Time	t _{Er} , t _{Ef}	—	20	ns
Enable Pulse Width	PWEL	60	—	ns
Data Set-up Time	t _{DS}	60	—	ns
Data Hold Time	t _{DHW}	10	—	ns

Test Circuit

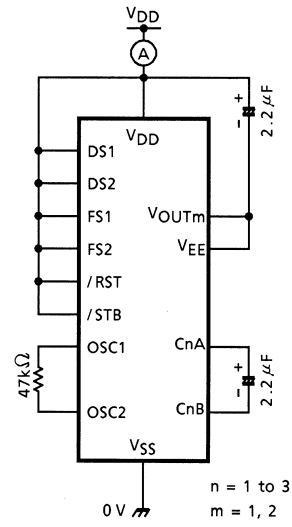
1.



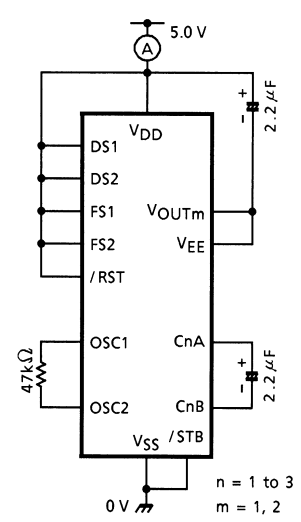
2.



3.

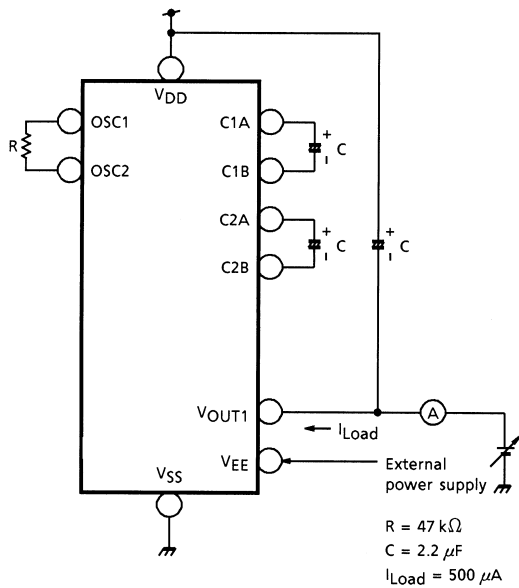


4.

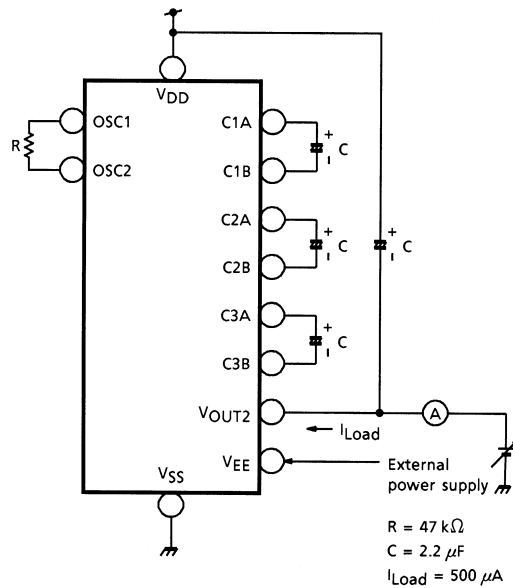


*: /LE, /WR, DB to DB5 connected to VDD

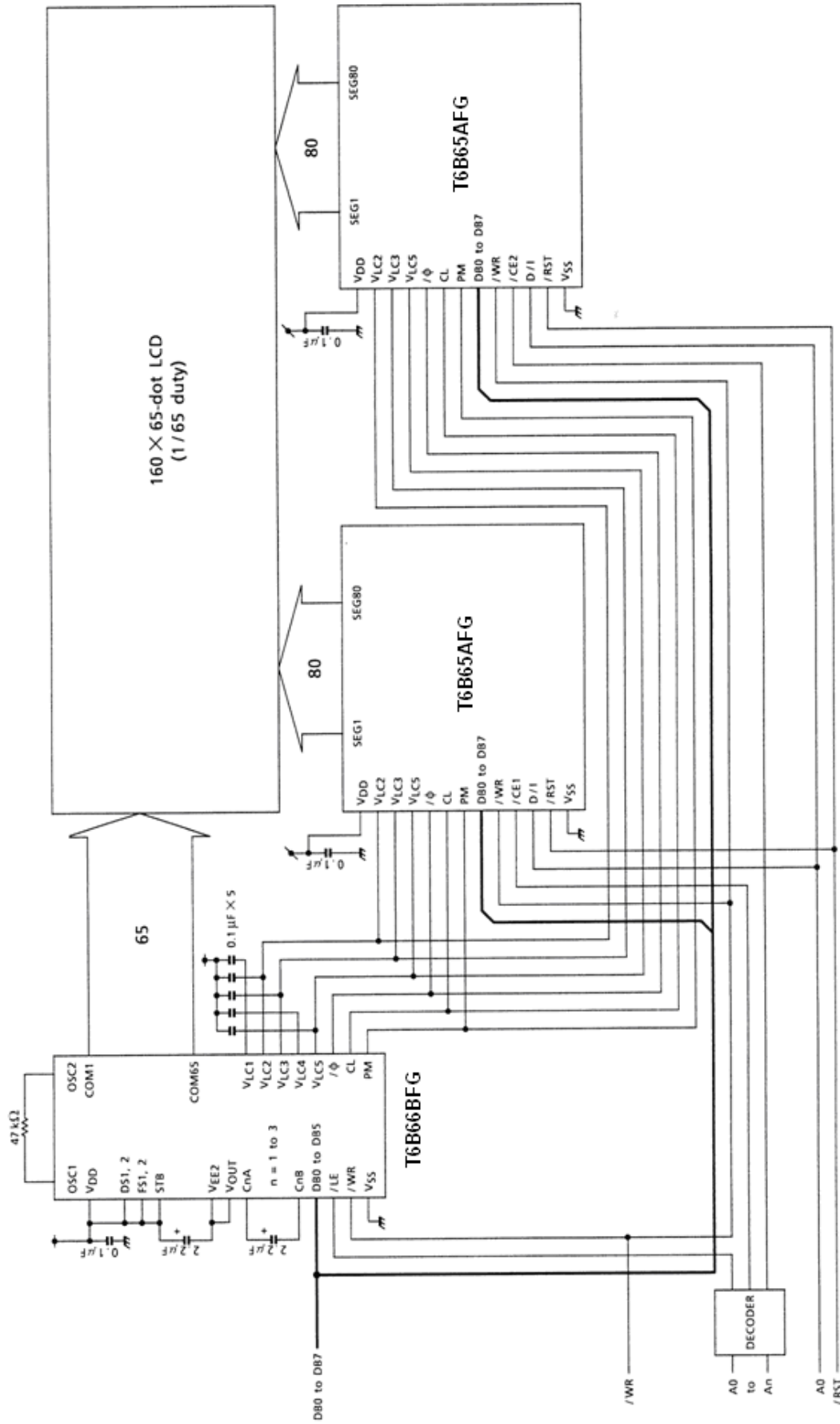
5. Tripler Mode



6. Quadrupler Mode



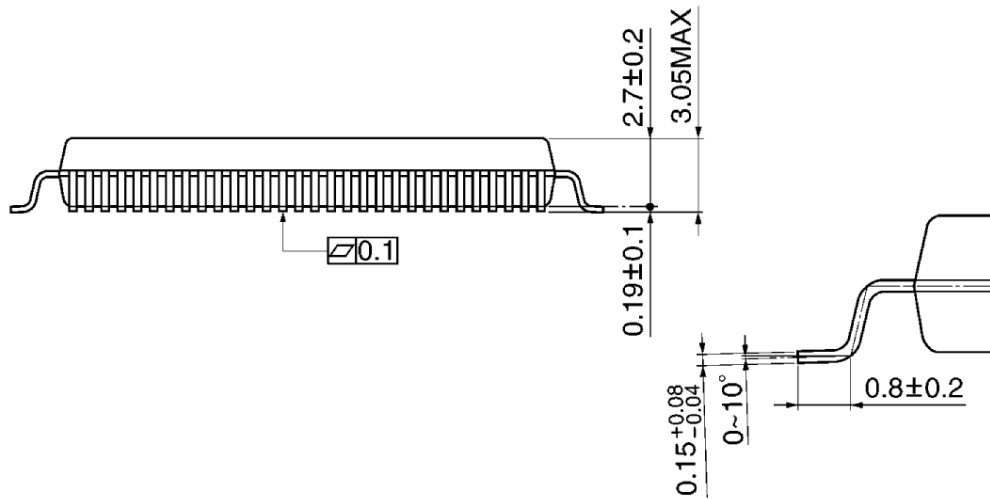
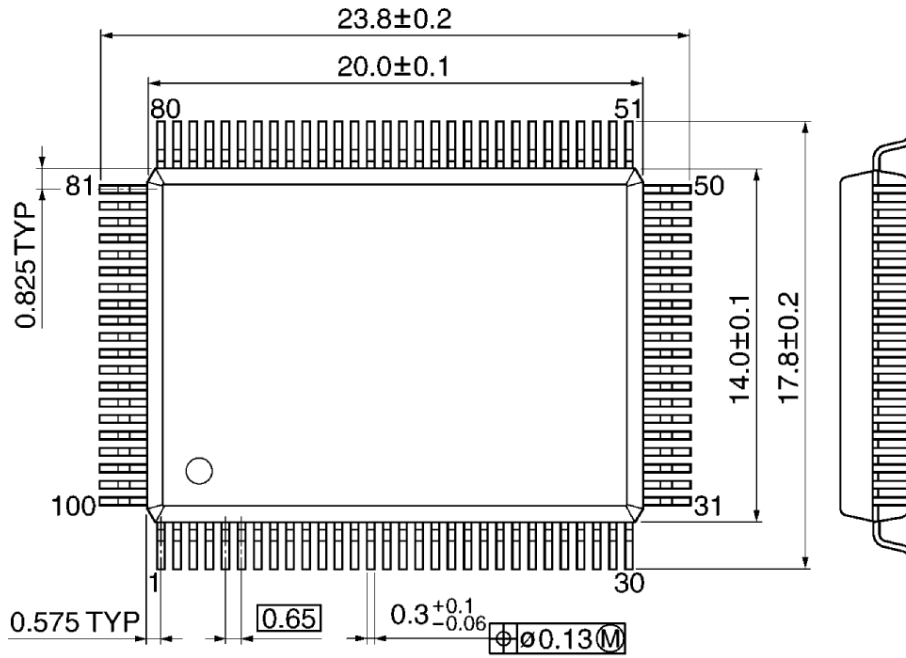
Application Circuit (1)



Package Dimensions

QFP100-P-1420-0.65Q

Unit: mm



Weight : 1.6g (Typ.)

RESTRICTIONS ON PRODUCT USE

030619EBA

- The information contained herein is subject to change without notice.
- The information contained herein is presented only as a guide for the applications of our products. No responsibility is assumed by TOSHIBA for any infringements of patents or other rights of the third parties which may result from its use. No license is granted by implication or otherwise under any patent or patent rights of TOSHIBA or others.
- TOSHIBA is continually working to improve the quality and reliability of its products. Nevertheless, semiconductor devices in general can malfunction or fail due to their inherent electrical sensitivity and vulnerability to physical stress. It is the responsibility of the buyer, when utilizing TOSHIBA products, to comply with the standards of safety in making a safe design for the entire system, and to avoid situations in which a malfunction or failure of such TOSHIBA products could cause loss of human life, bodily injury or damage to property.
In developing your designs, please ensure that TOSHIBA products are used within specified operating ranges as set forth in the most recent TOSHIBA products specifications. Also, please keep in mind the precautions and conditions set forth in the "Handling Guide for Semiconductor Devices," or "TOSHIBA Semiconductor Reliability Handbook" etc..
- The TOSHIBA products listed in this document are intended for usage in general electronics applications (computer, personal equipment, office equipment, measuring equipment, industrial robotics, domestic appliances, etc.). These TOSHIBA products are neither intended nor warranted for usage in equipment that requires extraordinarily high quality and/or reliability or a malfunction or failure of which may cause loss of human life or bodily injury ("Unintended Usage"). Unintended Usage include atomic energy control instruments, airplane or spaceship instruments, transportation instruments, traffic signal instruments, combustion control instruments, medical instruments, all types of safety devices, etc.. Unintended Usage of TOSHIBA products listed in this document shall be made at the customer's own risk.
- The products described in this document are subject to the foreign exchange and foreign trade laws.
- TOSHIBA products should not be embedded to the downstream products which are prohibited to be produced and sold, under any law and regulations.