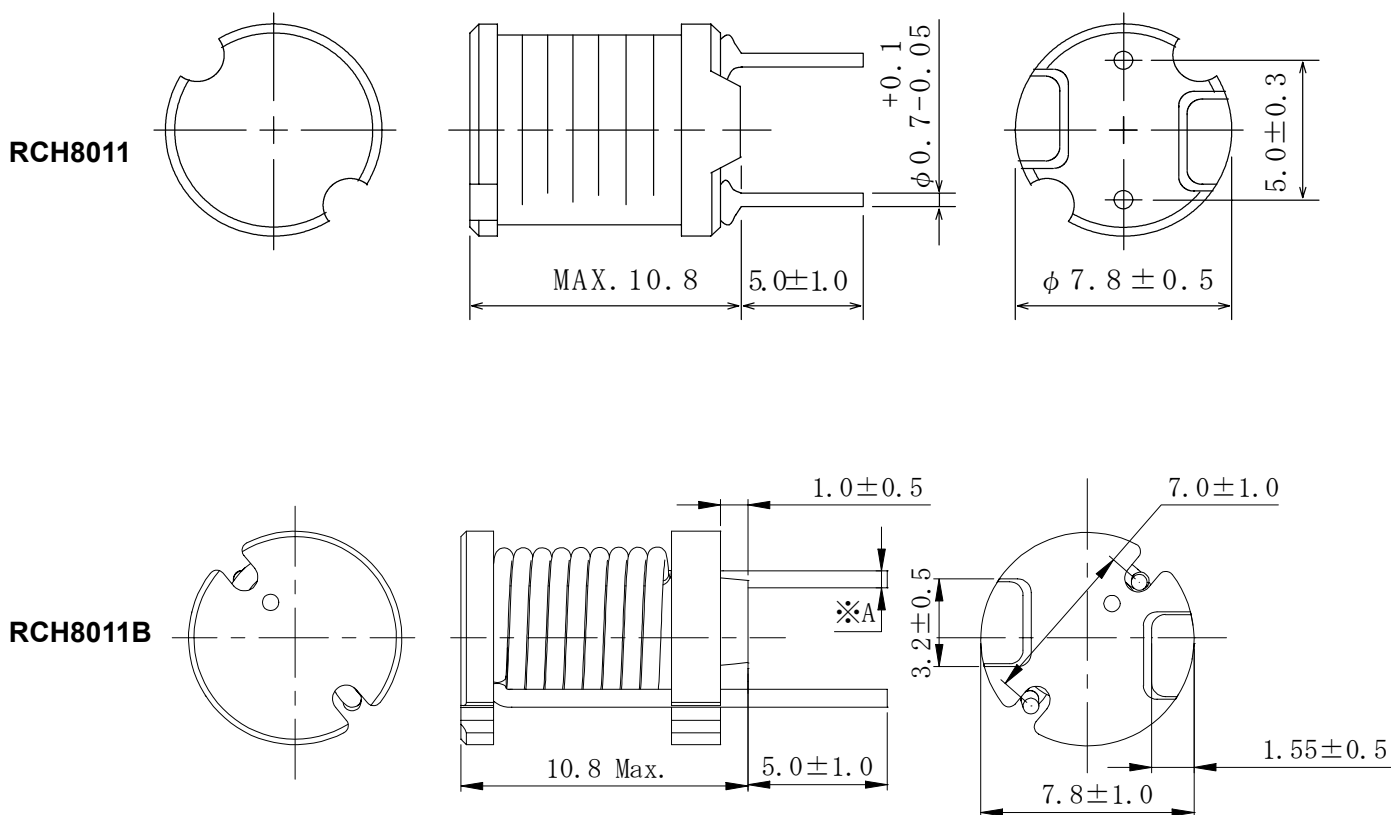


Type: RCH8011, RCH8011B
◆ Product Description

- 8.3mm Max. ϕ (RCH8011), 8.8mm Max. ϕ (RCH8011B), 10.8mm Max. Height.
- Inductance range: $10 \mu\text{H} \sim 1.0\text{mH}$ (RCH8011), $1.0 \mu\text{H} \sim 8.2\text{mH}$ (RCH8011B)
- Rated current range: $0.47 \sim 4.1\text{A}$ (RCH8011), $5.0\text{A} \sim 9.5\text{A}$ (RCH8011B)
- In addition to the standard versions of inductors shown here, custom inductors are available to meet your exact requirements.


◆ Feature

- Magnetically unshielded construction.
- Ideally Used in Printers, LCD TV, DVD, Printer, Copy Machine, Mainboard of the compounding machines, etc as Power Supplies's Inductors or DC-DC Converter inductors.
- RoHS Compliance

◆ Dimensions (mm)


Type: RCH8011, RCH8011B
◆ Specification(RCH8011)

Part Name	Stamp	Inductance [Within] 100 kHz/1V	D.C.R. (mΩ) [Max.] (Typ.) (at 20°C)	Saturation Current (mA) ※1	Temperature Rise Current (mA)※2
RCH8011NP-100L	100	10 μH ± 15%	35(28)	4400	4100
RCH8011NP-120L	120	12 μH ± 15%	40(32)	4000	3950
RCH8011NP-150L	150	15 μH ± 15%	47(38)	3600	3750
RCH8011NP-180L	180	18 μH ± 15%	53(42)	3300	3600
RCH8011NP-220L	220	22 μH ± 15%	56(45)	2800	3050
RCH8011NP-270L	270	27 μH ± 15%	65(52)	2600	2800
RCH8011NP-330L	330	33 μH ± 15%	75(60)	2400	2700
RCH8011NP-390L	390	39 μH ± 15%	84(67)	2200	2550
RCH8011NP-470L	470	47 μH ± 15%	110(88)	2000	2150
RCH8011NP-560L	560	56 μH ± 15%	123(98)	1850	2000
RCH8011NP-680L	680	68 μH ± 15%	138(111)	1700	1900
RCH8011NP-820L	820	82 μH ± 15%	190(154)	1600	1550
RCH8011NP-101L	101	100 μH ± 15%	215(172)	1500	1500
RCH8011NP-121L	121	120 μH ± 15%	275(222)	1200	1300
RCH8011NP-151L	151	150 μH ± 15%	310(250)	1100	1200
RCH8011NP-181L	181	180 μH ± 15%	360(288)	1000	1100
RCH8011NP-221L	221	220 μH ± 15%	440(354)	950	1050
RCH8011NP-271L	271	270 μH ± 15%	590(472)	900	900
RCH8011NP-331L	331	330 μH ± 15%	640(512)	800	820
RCH8011NP-391L	391	390 μH ± 15%	710(570)	700	780
RCH8011NP-471L	471	470 μH ± 15%	900(720)	650	700
RCH8011NP-561L	561	560 μH ± 15%	1125(903)	600	640
RCH8011NP-681L	681	680 μH ± 15%	1280(1025)	560	540
RCH8011NP-821L	821	820 μH ± 15%	1660(1329)	520	500
RCH8011NP-102L	102	1000 μH ± 15%	1915(1532)	490	470

Type: RCH8011, RCH8011B
◆ Specification(RCH8011B)

Part Name	Stamp	Inductance [Within] 100 kHz/1V	D.C.R.(m Ω) [Max.] (Typ.) (at 20°C)	Saturation current (A)※1		Temperature rise current (A)※2	Pin (mm) ※A
				(at20°C)	(at100°C)		
RCH8011BNP-1R0N	1R0	1.0 μ H ± 30%	7.8(6.2)	12.5	11.0	9.5	0.65 ± 0.1
RCH8011BNP-2R2N	2R2	2.2 μ H ± 30%	9.3(7.4)	9.50	7.50	7.5	0.65 ± 0.1
RCH8011BNP-3R3N	3R3	3.3 μ H ± 30%	11.8(9.3)	8.00	6.00	7.0	0.65 ± 0.1
RCH8011BNP-4R7N	4R7	4.7 μ H ± 30%	13.9(11.1)	5.60	4.20	6.3	0.65 ± 0.1
RCH8011BNP-5R6N	5R6	5.6 μ H ± 30%	15.1(12.1)	5.40	4.00	6.2	0.65 ± 0.1
RCH8011BNP-6R8N	6R8	6.8 μ H ± 30%	16.5(13.2)	5.20	3.90	6.1	0.65 ± 0.1
RCH8011BNP-8R2N	8R2	8.2 μ H ± 30%	19.0(15.2)	5.00	3.50	5.5	0.65 ± 0.1

※1: Saturation current: The DC current at which the inductance decreases to 90% of it's initial value.

※2: Temperature rise current: The DC current at which the temperature rise is $\Delta t = 40^\circ\text{C}$. ($T_a = 20^\circ\text{C}$).