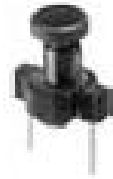


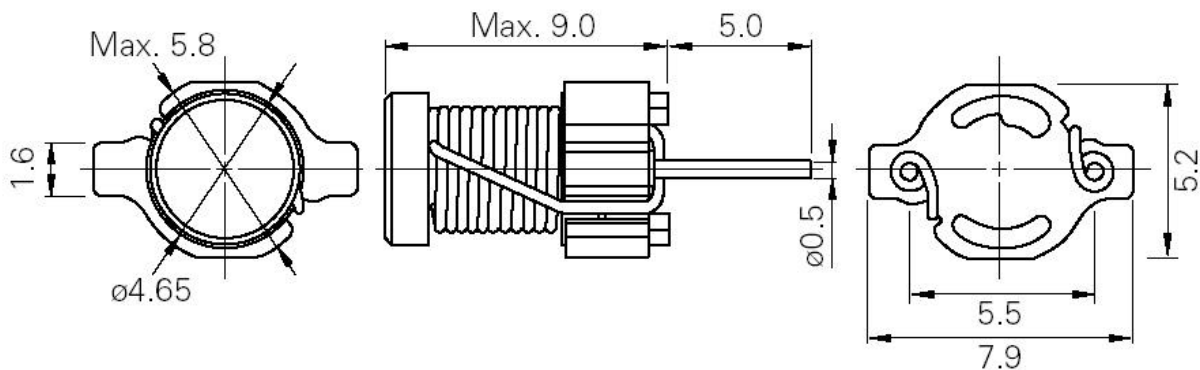
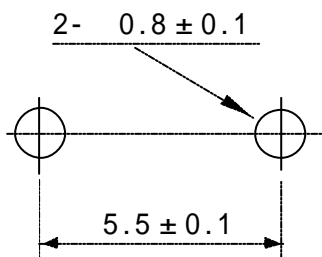
Type: R58

Product Description

- 7.9× 5.2mm Ref.(L× W),9.0mm Max.Height
- Inductance range: 1.0 μ H- 100 μ H
- Rated current range: 0.46- 4.2A
- In addition to the standard versions of inductors shown here, custom design are available to meet your exact requirements.


Feature

- Magnetically unshielded construction.
- Ideally Used in Printers, LCD TV, DVD, Printer, Copy Machine, Mainboard of PC etc, as Power Supplies's Inductors or DC-DC Converter inductors.
- RoHS Compliance

Dimensions (mm)

Reference PCB piercing plan dimension (mm)


Type: R58

Specification

Part Name	Stamp	Inductance [Within] (μ H) 1	D.C.R. (m Ω) [Max.] at 20	Saturation Current (A) 2		Temperature Rise current (A) 3
				(at 20)	(at 105)	
R58NP-1R0MB	1R0	1.0 \pm 20%	18.8(15.0)	4.56	3.60	4.20
R58NP-1R5MB	1R5	1.5 \pm 20%	21.5(17.2)	3.48	3.04	4.00
R58NP-2R2MB	2R2	2.2 \pm 20%	25.7(20.5)	3.20	2.52	3.40
R58NP-3R3MB	3R3	3.3 \pm 20%	33.3(26.6)	2.48	1.92	3.00
R58NP-4R7MB	4R7	4.7 \pm 20%	39.0(31.3)	2.20	1.76	2.70
R58NP-5R6MB	5R6	5.6 \pm 20%	41.8(33.4)	2.06	1.66	2.60
R58NP-6R8MB	6R8	6.8 \pm 20%	47.0(37.5)	1.82	1.44	2.50
R58NP-8R2MB	8R2	8.2 \pm 20%	52.4(42.0)	1.76	1.40	2.35
R58NP-10MB	100	10 \pm 20%	61.6(49.3)	1.44	1.12	2.20
R58NP-15MB	150	15 \pm 20%	78.0(62.5)	1.20	0.96	1.95
R58NP-22MB	220	22 \pm 20%	118.0(94.6)	0.98	0.80	1.55
R58NP-33MB	330	33 \pm 20%	170.3(136.3)	0.80	0.66	1.25
R58NP-47MB	470	47 \pm 20%	236.0(188.8)	0.68	0.54	1.02
R58NP-56MB	560	56 \pm 20%	305.8(244.6)	0.62	0.50	0.90
R58NP-68MB	680	68 \pm 20%	398.3(318.6)	0.54	0.44	0.75
R58NP-82MB	820	82 \pm 20%	451.3(361.0)	0.49	0.40	0.70
R58NP-101MB	101	100 \pm 20%	507.3(405.8)	0.46	0.38	0.60

1: Measuring Frequency

 1.0 μ H ~ 8.2 μ H at 7.96MHz

 10 μ H ~ 100 μ H at 100kHz

2 Saturation current: The DC current at which the inductance decreases to 90% of its initial value.

 3 Temperature rise current: The DC current at which the temperature rise is $t = 40$ (Ta = 20).