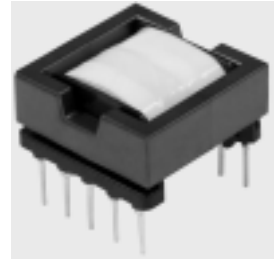
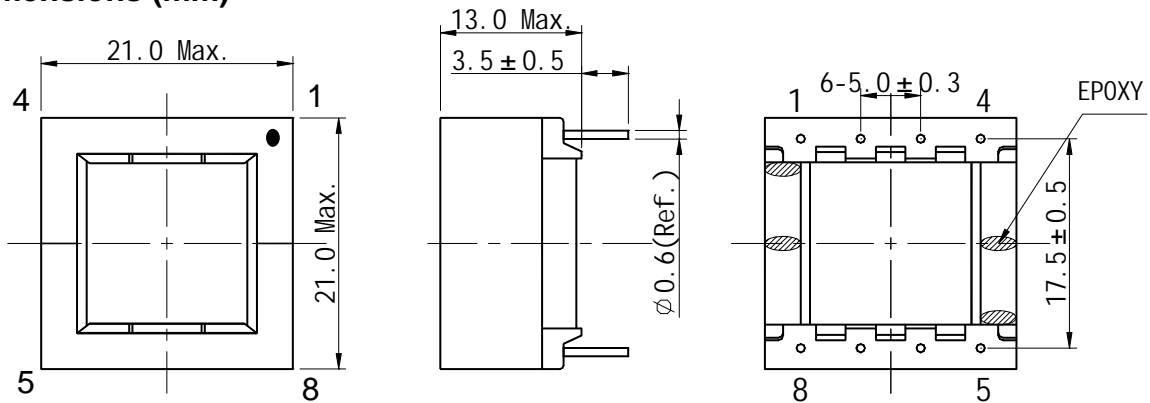
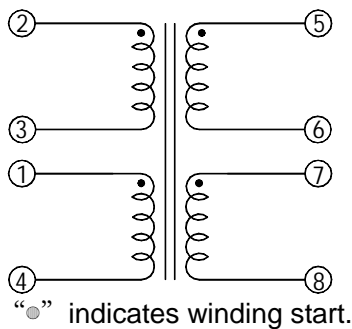
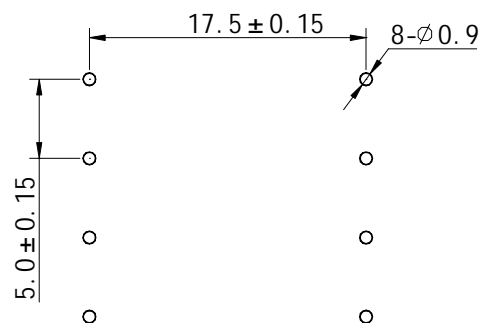


Type: EFD2013
◆ Product Description

- 21.0×21.0mm Max.(L×W), 13.0mmMax. Height.
- In addition to the typical versions of parameters shown here, custom parameters are available to meet your exact requirements.


◆ Feature

- Max. Operating frequency 500kHz,Max. Operating Power 16.5(500kHz).
- Ideally used in PoE transformer.
- RoHS Compliance

◆ Dimensions (mm)

◆ Schematics (Bottom)

◆ Land Pattern

◆ Specification

Sample No.	Turns Ratio (Pri:Sec:Aux)	Primary Inductance 100kHz/1V	Pri-Sec. Insulation	Leakage L (μ H Max.)	D.C.R. (m Max.)			
					Pri.	Aux.	Sec.1	Sec.2
PS05-046	2:1:1:1	222 μ H ± 30%	AC1500Vrms (0.5mA/60Hz,2s)	2.0	45	80	15	24