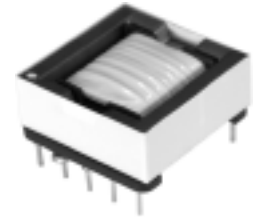
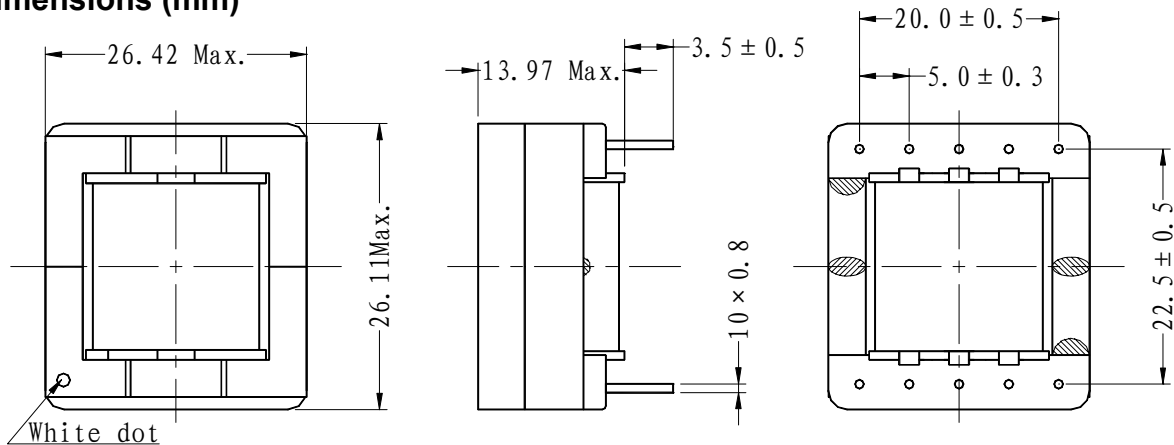
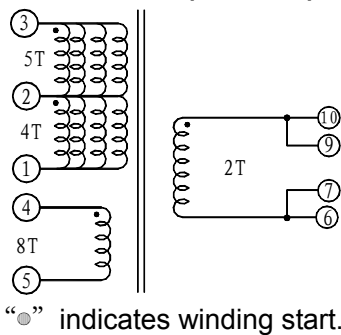
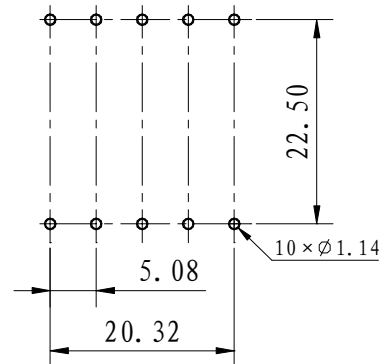


Type: EFD2513
◆ Product Description

- 26.4×26.1mm Max.(L×W), 14.0mmMax. Height.
- In addition to the typical versions of parameters shown here, custom parameters are available to meet your exact requirements.


◆ Feature

- Max. Operating frequency 500kHz,Max. Operating Power 54.0(500kHz).
- Ideally used as PoE transformer.
- RoHS Compliance

◆ Dimensions (mm)

◆ Schematics (Bottom)

◆ Land Pattern

◆ Specification

Sample No.	Turns Ratio (Pri:Sec:Aux)	Primary Inductance 100kHz/1V	Pri-Sec. Insulation	Leakage L (μ H Max.)	D.C.R. (m Ω Max.)		
					Pri.	Aux.	Sec.
PS05-043	9:2:8	113 μ H Min.	AC1500Vrms (0.5mA/60Hz,2s)	0.64	21	570	3.3