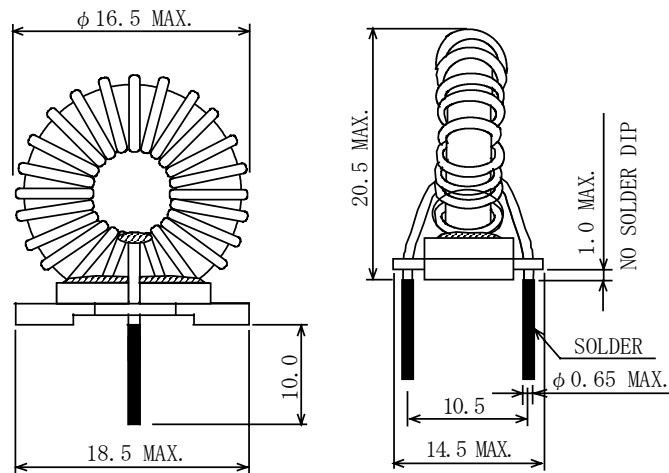


**Type: PFN1316**
**◆ Product Description**

- 18.5mm × 14.5mm Max.(L×W), 20.5mm Max. Height .
- In addition to the typical versions of parameters shown here, custom parameters are available to meet your exact requirements.


**◆ Feature**

- Iron dust core is used to realize better DC Saturation characteristics and higher noise absorption effect.
- Less leakage magnetic flux .
- Ideally used as Normal Mode chokes EMI suppression in power supplies or signal lines.
- Elimination for impulse noise.
- RoHS Compliance

**◆ Dimensions (mm)**


ADHESIVE

**◆ Specification**

Part Name.	Inductance ( $\mu$ H) [MIN.] At 1kHz	D.C.R.(m $\Omega$ ) [MAX.] (at20°C)	Impedance [MIN.]			Rated Current (A)※1
			①	②	③	
PFN1316NP-NM29A	21	43	544 $\Omega$ a t 5MHz	1180 $\Omega$ a t 10MHz	1245 $\Omega$ a t 20MHz	5.4
PFN1316NP-NM39A	37	58	1245 $\Omega$ a t 5MHz	2070 $\Omega$ a t 7MHz	950 $\Omega$ a t 15MHz	2.9

※1. Rated current: The DC current at which the temperature rise is  $\Delta t=40^{\circ}\text{C}$ .( $T_a=20^{\circ}\text{C}$ ).