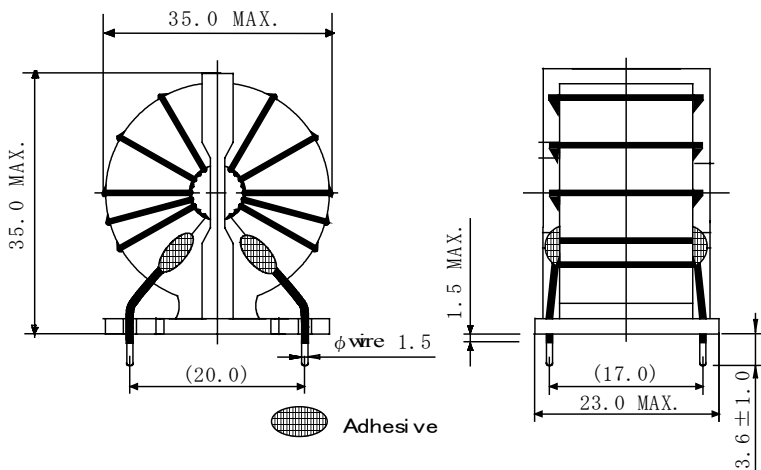


Type: PFC2831C
◆ Product Description

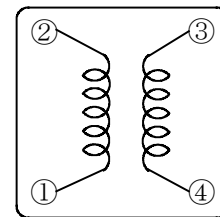
- 35.0×23.0mm Max.(L×W), 35.0mm Max. Height .
- Inductance range: 0.25mH
- Rated current range:15.0A
- In addition to the standard versions of parameters shown here, custom designs are available to meet your exact requirements.


◆ Feature

- Safety standard conformance such as UL.
- Ideally used in TV, VCRs, OA devices.
- RoHS Compliance

◆ Dimensions (mm)


- * Dimension does not include solder used on coil.
- * Terminal pitch is measured at the base(not from tip of the pin)

◆ Schematics (Bottom)


- * Winding start is #1,#4 or #2,#3.
- * #1, #2 : should have same polarity.

◆ Specification(Part Name: PFC2831CNP-15A-P)

| | | Measuring condition |
|----------------------------|---------------------------|-------------------------|
| Inductance (1-2) and (4-3) | 0.25mH MIN. (0.36mH TYP.) | 1kHz, 0.1V |
| D.C.R. (1-2) and (4-3) | 5mΩ MAX.(3.05mΩ TYP.) | at 20°C |
| Rated Current (1-4) ※1 | 15.0A | (PIN#2 & PIN#3 shorted) |

※1. Rated current: The DC current at which the temperature rise is $\Delta t=45^{\circ}\text{C}$.($T_a=20^{\circ}\text{C}$).