

Type: CPFC2210

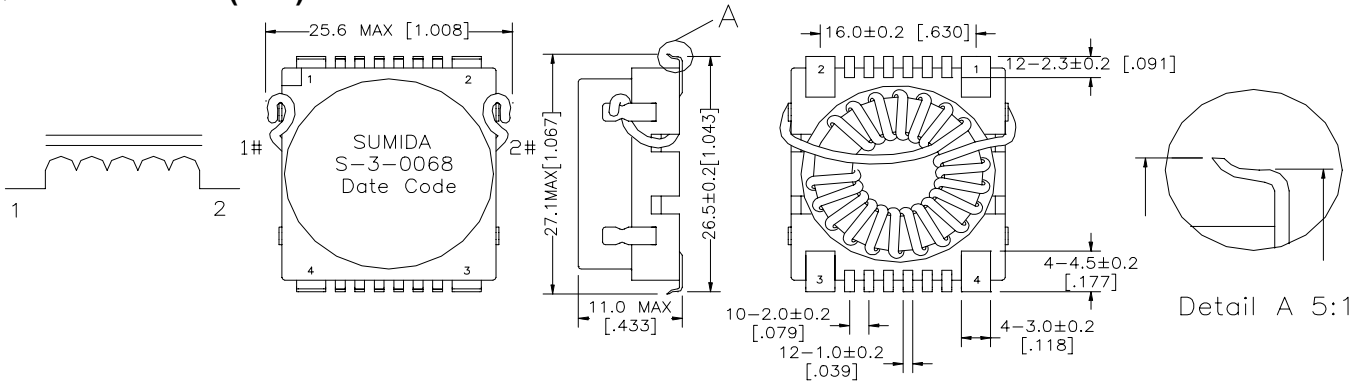
◆ **Product Description**

- 27.1mm × 25.6mm.MAX.(LxW), 11.0mm Max.(Height)
- Custom design is available.

◆ **Feature**

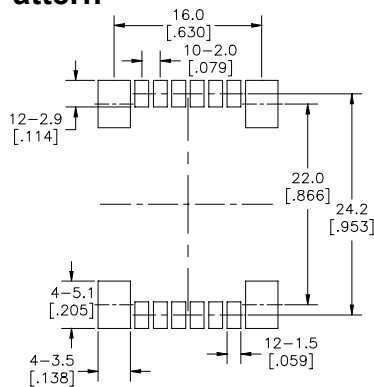
- Iron dust core is used to get better DC Saturation characteristics.
- Good noise absorption effect.
- Less leakage magnetic flux and core groan by using toroidal core.
- Ideally used in power factor correction.
- RoHS Compliance

◆ **Dimensions (mm)**

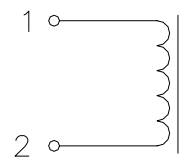


* Dimension does not include solder used on coil.

◆ **Land Pattern**



◆ **Schematics**



◆ **Specification**

Sample No.	Inductance (1-2) (20kHz/0.1V)	D.C.R. (1-2) (at20°C)	Rated Current (A)※1
P04NZ-032	24.6 μ H ± 12%	21 m Ω Max.	9.0

※1. Rated current: The DC current at which the temperature rise is Δt=40°C.(Ta=20°C).