

Type: FB-7SG, FB-7SGX

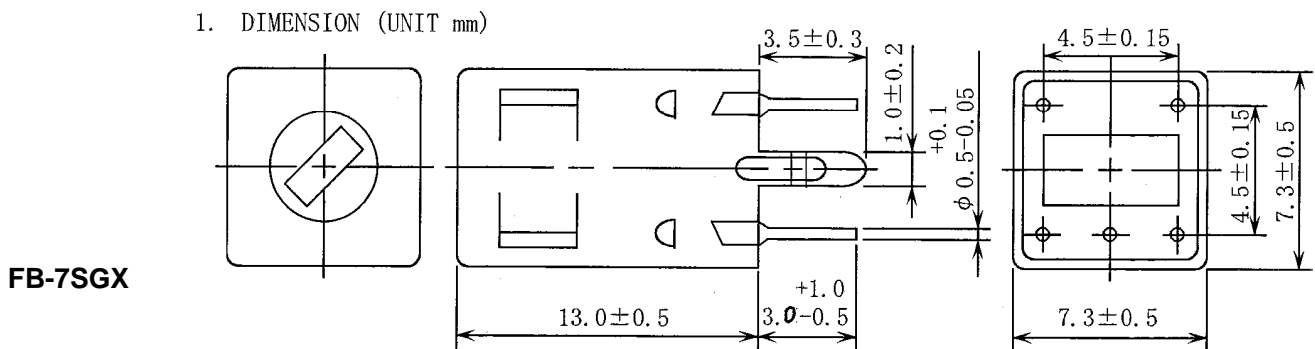
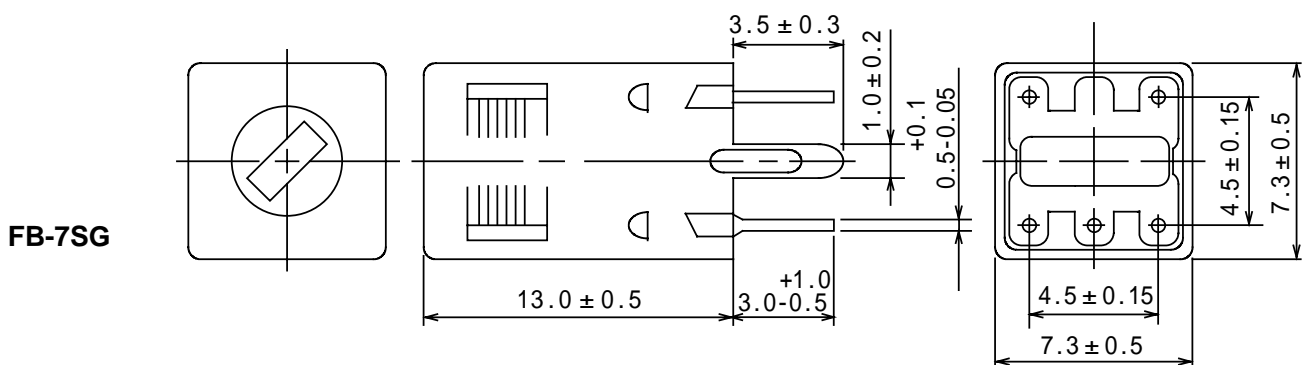
### Product Description

- 7.8 × 7.8mm Max.(L × W), 13.5mm Max. Height.
- Operating frequency:250kHz Max.
- In addition to the reference versions of parameters shown here, custom designs are available to meet your exact requirements.

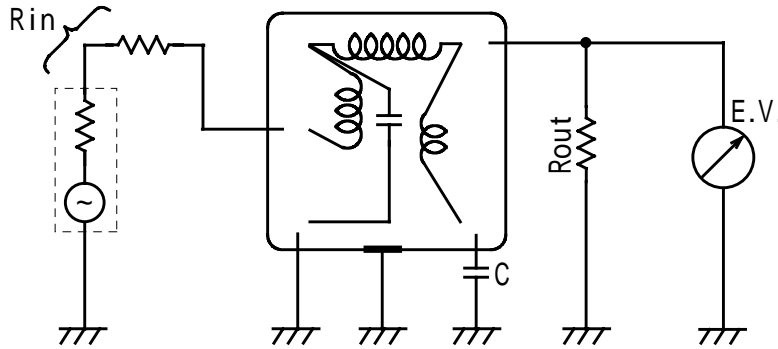
### Feature

- Variable shielded type.
- Ideally used as Audio Filters(LPF, BPF, Delay Line)
- RoHS Compliance

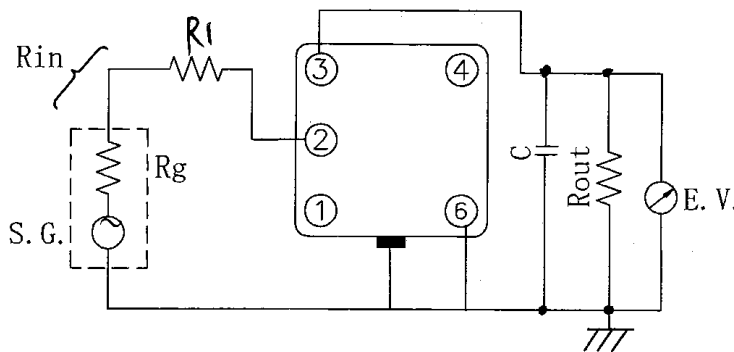
### Dimensions (mm)



- \* Dimension does not include solder used on coil.
- \* Pin pitch should be measured at the root of terminal.

**Type: FB-7SG, FB-7SGX**
**Testing Circuit**
**FB-7SG**


E.V.M. Indicate Level 0.775V=0dB(at1KHz)  
 CEXT=3900pF±2%(P.P. CAPACITOR)  
 $R_{in}=R_g+R_1=2.2k\Omega$   
 $R_{out}=2.2k\Omega$

**FB-7SGX**


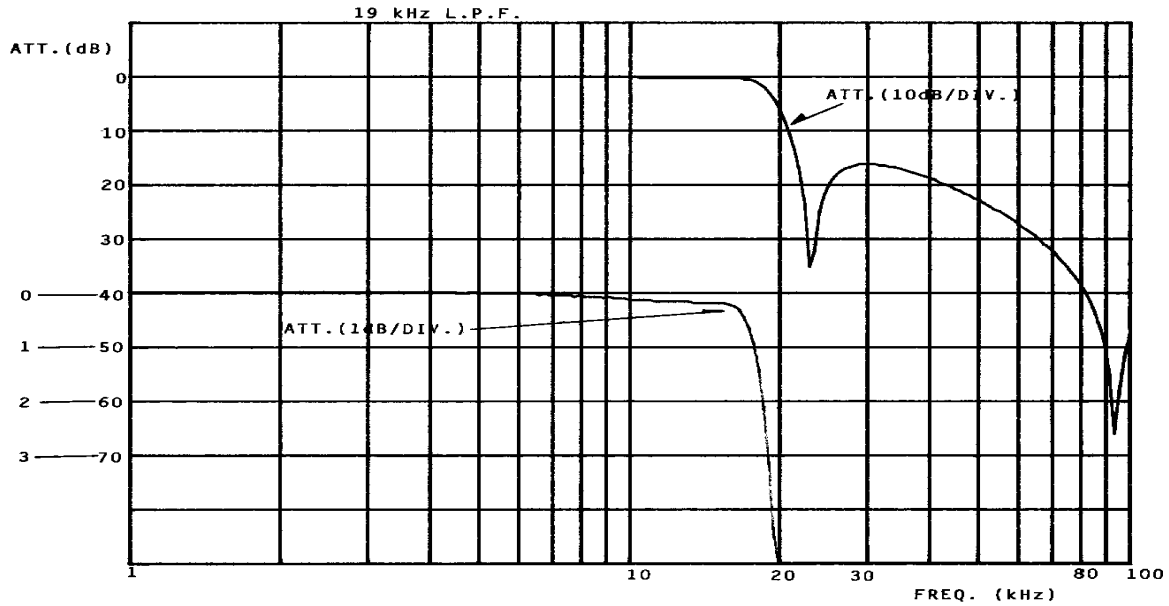
\*  $R_g=50\Omega$   
 \*  $R_{in}=R_g+R_1=680\Omega$   
 \*  $R_{out}=1k\Omega$   
 \*  $C=27000pF\pm 2\%$  (P. P CAPACITOR)

**Specification(FB-7SG, part number: 5307-JPS-098)**

Item		Specification
Input impedance	(R in)	2.2kΩ
Output impedance	(Rout)	2.2kΩ
Attenuation	16KHz	MAX.1.5 dB
	23KHz	MIN.29 dB
	93KHz	MIN.99 dB
Cut Off Frequency	(-3dB)	19kHz (TYP.)
Ripple	50Hz ~ 14KHz	0 ± 1.2 dB Within
Insertion Loss	1KHz	MAX.1.0dB

Type: FB-7SG, FB-7SGX

**Frequency Response (Attenuation 0dB at 1KHz)**



**Specification(FB-7SGX,part number: 5312-T001)**

Item	Specification
Input impedance (R in)	680Ω
Output impedance (Rout)	1.0kΩ
Attenuation 15.63KHz	MIN.25 dB
Cut Off Frequency (-3dB)	12.5 kHz (TYP.)

**Frequency Response (Attenuation 0dB at 1KHz)**

