

Type: ERH3530/MS

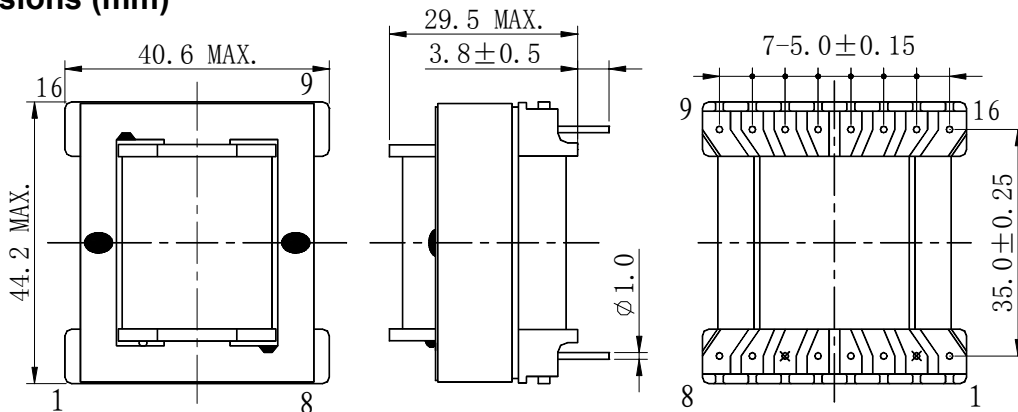
◆ **Product Description**

- 44.2×40.6mm Max.(L×W), 29.5mm Max. Height.
- In addition to the typical versions of parameters shown here, custom designs are available to meet your exact requirements.

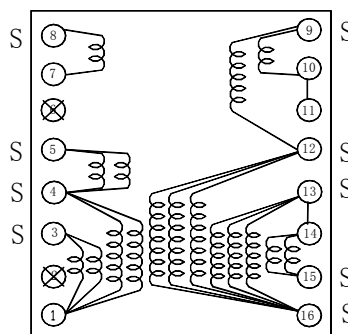
◆ **Feature**

- Max. Operating frequency 500kHz. Max. Operating power 50.0W(500kHz)
- Ideally used in Switching regulator, EL inverter.
- RoHS Compliance

◆ **Dimensions (mm)**



◆ **Schematics (Bottom)**



“S” is winding start.

◆ **Specification**

Sample No.	Inductance (1-5) 100kHz/0.25V	Leakage Inductance (1-5) 100kHz/0.25V	Hi-pot Winding-winding (50/60Hz)
03YPD273	460μH ± 30%	5.3 μ H Max.	AC 3000Vrms/1sec.