

Type: EEH2218/MS

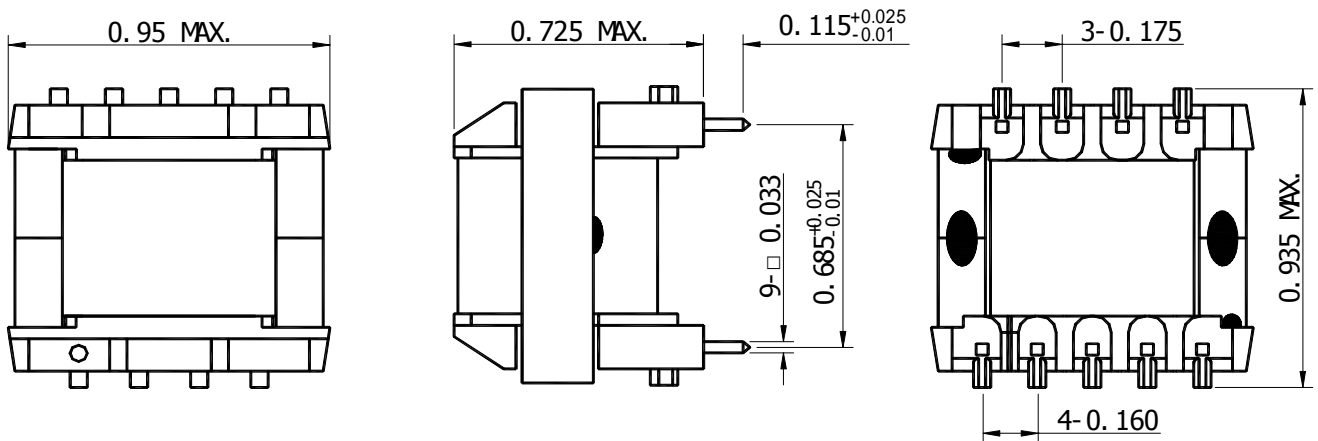
Product Description

- 0.95 × 0.935 inch Max.(L × W), 0.725 inch Max. Height.
- In addition to the typical versions of parameters shown here, custom parameters are available to meet your exact requirements

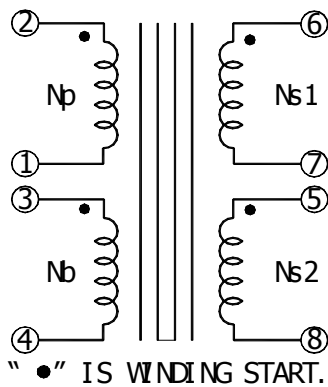
Feature

- Max. Operating frequency 500kHz. Max Operating Power 20.0W(500kHz)
- Ideally used in AC adapter for charger, Portable equipments.
- RoHS Compliance

Dimensions (inch) (Tolerance: .XXX ± .005)



Schematics (Bottom)



Specification

Sample No.	Inductance (6-7) 1kHz/1V	D.C.R. (6-7)	Hi-pot (winding-winding) (50/60Hz)
04MMS035	1.5mH ± 10%	1.95Ω Max.	AC 1500Vrms/1sec.