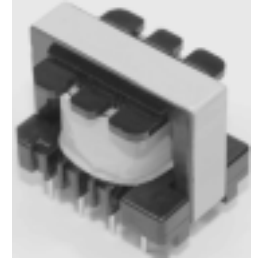
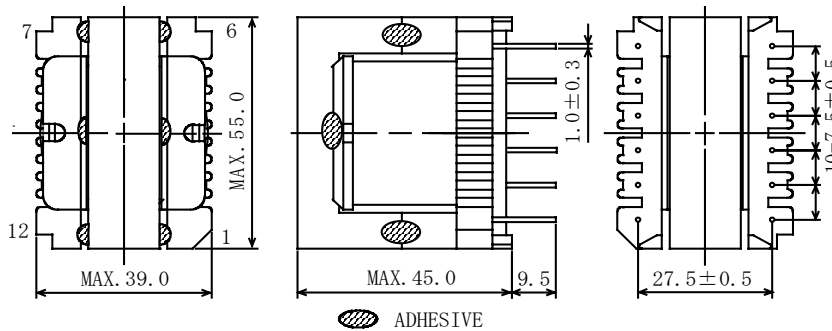
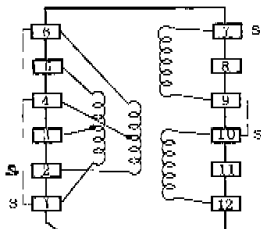


**Type: EE5042**
**◆ Product Description**

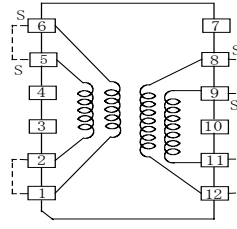
- 55.0×39.0mm Max.(L×W), 45.0mm Max. Height.
- Custom design is available.


**◆ Feature**

- Max. Operating frequency 500kHz. Max. Operating power 180W(500kHz)
- Ideally used in switching power supply and PFC choke.
- RoHS Compliance

**◆ Dimensions (mm)**

**◆ Schematics (Bottom)**
**1. For General Transformer use**


“S” is winding start

**2. For PFC choke**


“S” is winding start

**◆ Specification (For General Transformer use)**

Sample No.	Inductance (4-6) 100kHz/1V	D.C.R.(1-2) (mΩ Max.)	D.C.R.(5-6) (mΩ Max.)	D.C.R.(7-9) (mΩ Max.)	D.C.R.(10-12) (mΩ Max.)
2382-T004	10μH ± 25%	30	30	60	60

**◆ Specification (For PFC choke)**

Sample No.	Inductance (8,9-11,12) 1kHz/1V	Rated Current (8,9-11,12)	Hi-pot (1,2,5,6-8,9,11,12)(50/60Hz)
2382-T003	300μH ± 10%	12.5A	AC 5000Vrms/1s.

※ Rated current: The DC current at which the inductance decreases to 90 % of it's initial value or when Δt=40°C, whichever is lower(Ta=20°C).