

Type: EE2520H

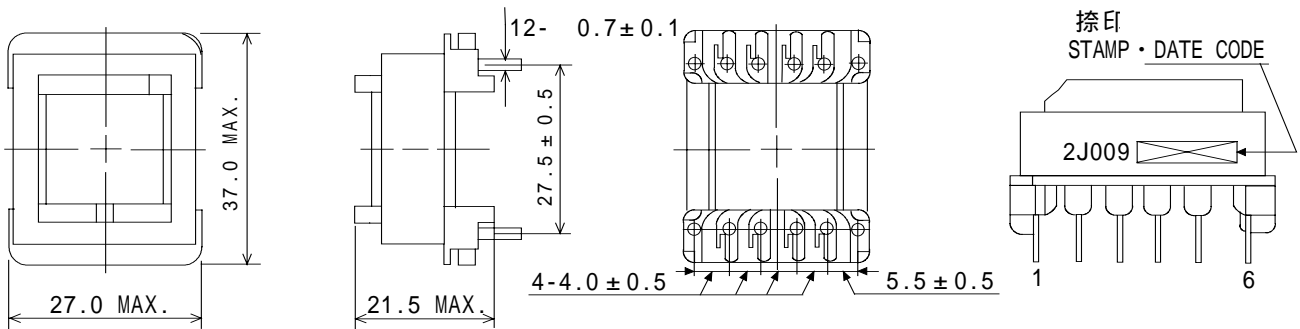
Product Description

- 37.0 × 27.0mm Max.(L × W), 21.5mm Max. Height.
- In addition to the typical versions of parameters shown here, custom designs are available to meet your exact requirements.

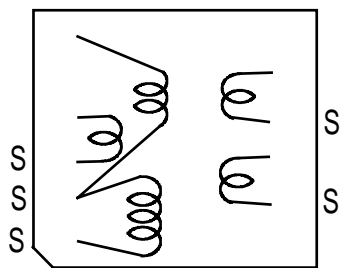
Feature

- Max. Operating frequency 300kHz. Max. Operating power 35.0W(300kHz)
- Ideally used in EL inverter, Switching power supply etc.
- RoHS Compliance

Dimensions (mm)



Schematics (Bottom)



“ S ” is winding start

Specification

Sample No.	Inductance (1-6) 1kHz/1V	Leakage Inductance (1-6) 1kHz/1V	Hi-pot (1,2,3,4,6-8,9,10,11)(50/60Hz)
3307-631	122μH ± 5%	21.5μH Max.	AC 1500Vrms/2sec.