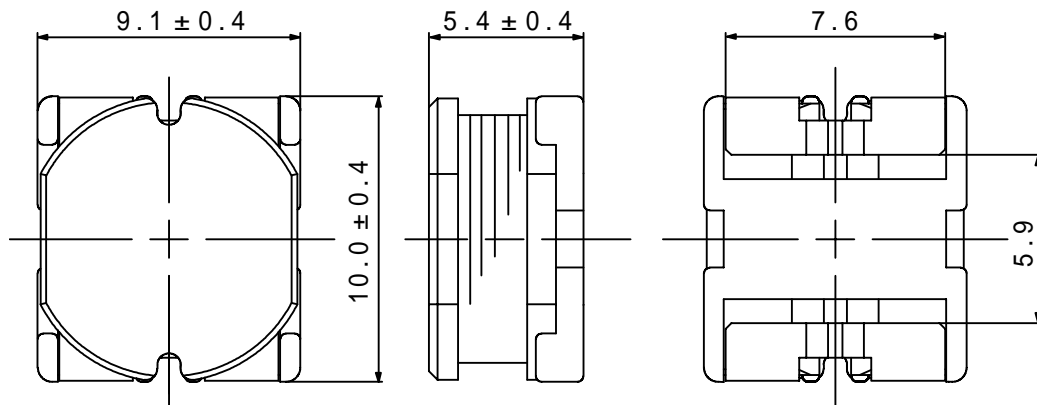
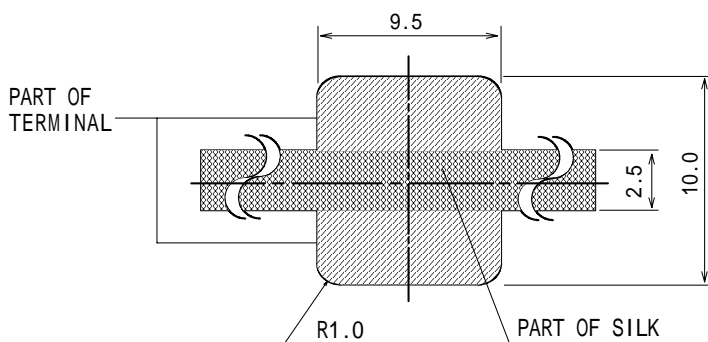


Type: CR105
Product Description

- 10.4 × 9.5mm Max.(L × W), 5.8mm Max. Height.
- Inductance range: 1.8 ~ 820 μ H
- Rated current range: 0.24 ~ 6.0A
- In addition to the standard versions of inductors shown here, custom inductors are available to meet your exact requirements.


Feature

- Magnetically unshielded construction.
- Ideally used in Projector, PDA,DSC/DVC, Game Machine, DVD, STB, Notebook PC etc as DC-DC Converter inductors.
- RoHS Compliance

Dimensions (mm)

Land Pattern (mm)


Type: CR105
Specification

Part Name	Stamp	Inductance [Within] 1	D.C.R.() [MAX.] at 20	Rated Current (A) 2	S.R.F. (MHz) [REF.]
CR105NP-1R8M	1R8M	1.8 μ H \pm 20%	13.0m	6.0	91.0
CR105NP-2R5M	2R5M	2.5 μ H \pm 20%	15.6m	5.5	67.6
CR105NP-3R3M	3R3M	3.3 μ H \pm 20%	18.2m	5.0	54.8
CR105NP-4R2M	4R2M	4.2 μ H \pm 20%	20.8m	4.5	46.4
CR105NP-5R1M	5R1M	5.1 μ H \pm 20%	23.4m	4.0	40.7
CR105NP-6R3M	6R3M	6.3 μ H \pm 20%	26.0m	3.6	34.4
CR105NP-7R5M	7R5M	7.5 μ H \pm 20%	28.6m	3.3	32.9
CR105NP-8R6M	8R6M	8.6 μ H \pm 20%	32.5m	3.0	30.1
CR105NP-100M	100M	10 μ H \pm 20%	0.06	2.6	26.3
CR105NP-120M	120M	12 μ H \pm 20%	0.07	2.45	24.7
CR105NP-150M	150M	15 μ H \pm 20%	0.08	2.27	22.8
CR105NP-180M	180M	18 μ H \pm 20%	0.09	2.15	19.6
CR105NP-220M	220M	22 μ H \pm 20%	0.10	1.95	17.8
CR105NP-270M	270M	27 μ H \pm 20%	0.11	1.76	15.5
CR105NP-330M	330M	33 μ H \pm 20%	0.12	1.50	14.3
CR105NP-390M	390M	39 μ H \pm 20%	0.14	1.37	12.5
CR105NP-470K	470K	47 μ H \pm 10%	0.17	1.28	10.9
CR105NP-560K	560K	56 μ H \pm 10%	0.19	1.17	10.0
CR105NP-680K	680K	68 μ H \pm 10%	0.22	1.11	9.20
CR105NP-820K	820K	82 μ H \pm 10%	0.25	1.00	8.50
CR105NP-101K	101K	100 μ H \pm 10%	0.35	0.97	7.20
CR105NP-121K	121K	120 μ H \pm 10%	0.40	0.89	7.00
CR105NP-151K	151K	150 μ H \pm 10%	0.47	0.78	6.30
CR105NP-181K	181K	180 μ H \pm 10%	0.63	0.72	5.50
CR105NP-221K	221K	220 μ H \pm 10%	0.73	0.66	5.10
CR105NP-271K	271K	270 μ H \pm 10%	0.97	0.57	4.50
CR105NP-331K	331K	330 μ H \pm 10%	1.15	0.52	3.90
CR105NP-391K	391K	390 μ H \pm 10%	1.30	0.48	3.70
CR105NP-471K	471K	470 μ H \pm 10%	1.48	0.42	3.50
CR105NP-561K	561K	560 μ H \pm 10%	1.90	0.33	3.20
CR105NP-681K	681K	680 μ H \pm 10%	2.25	0.28	2.70
CR105NP-821K	821K	820 μ H \pm 10%	2.55	0.24	2.60

Description of part name

CR105NP-1R8M

- B Box
- C Carrier Tape

1. Measuring frequency
- 1.8 μ H ~ 8.6 μ H ; at 7.96 MHz
 - 10 μ H ~ 82 μ H ; at 2.52 MHz
 - 100 μ H ~ 820 μ H ; at 1 kHz

2. Rated current: The D.C. current at which the inductance decreases to 90% of it's initial value or when $t=40$, whichever is lower($T_a=20$).