

Type: CMD65

◆ **Product Description**

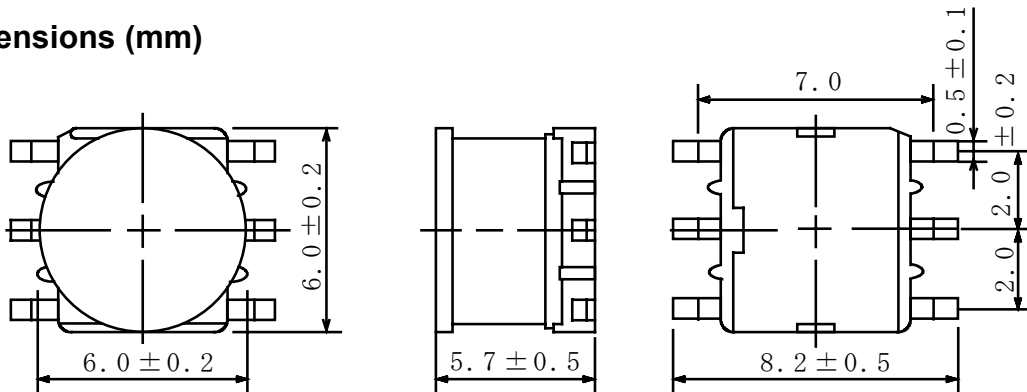
- 6.2×6.2mm Max.(L×W), 6.2mm Max. Height.
- In addition to the typical versions of parameters shown here, custom designs are available to meet your exact requirements.



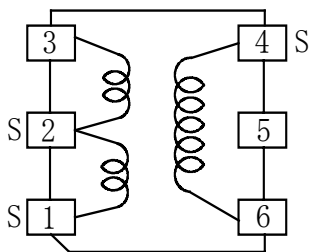
◆ **Feature**

- Magnetically unshielded construction.
- Ideally used in Digital video camera, also used as power choke,.
- RoHS Compliance

◆ **Dimensions (mm)**

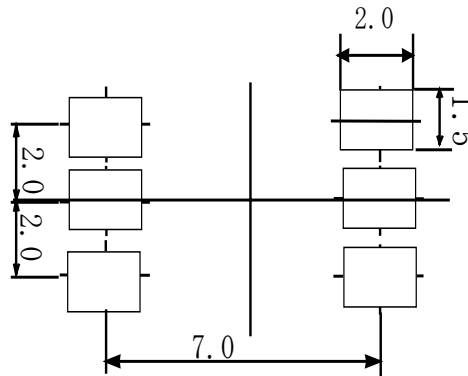


◆ **Schematics (Bottom)**



“ S ” is winding start.

◆ **Land Pattern (mm)**



◆ **Specification**

Sample No.	Inductance (1-3) 1kHz/1V	D.C.R (1-3)	Leakage Inductance (1-3) 100kHz/1V	Rated Current (1-3)
6325-T086	$90\mu\text{H} \pm 10\%$	1.05Ω Max.	$3.0\mu\text{H}$ Max.	0.60A

※ Rated current: The DC current at which the inductance decreases to 90% of its initial value.