

Type: CLS3D18

Preliminary

**Product Description**

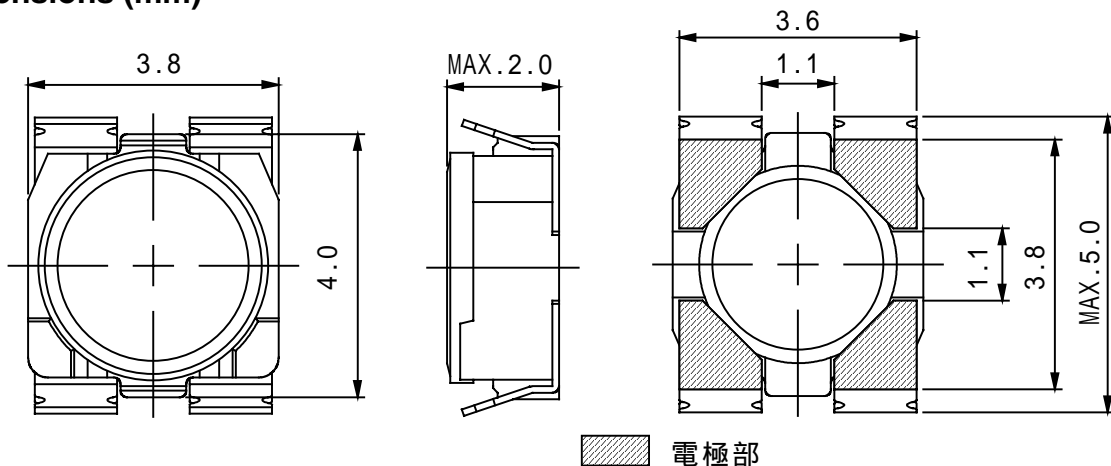
- 5.0 x 3.8mm Max.(L x W), 2.0mm Max. Height.
- 4 Terminal pins' type gives a flexible design as inductors or transformers (SEPIC,ZETA circuit).
- Custom design is available.



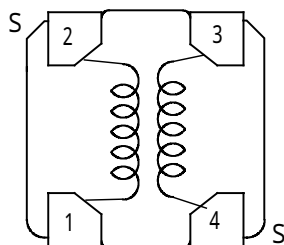
**Feature**

- Max. Operating frequency 1MHz, Max.
- 2 in 1 Coils for high efficient up-down DC-DC converters (SEPIC, Zeta circuits to be used).
- Can be also used as DC-DC converter inductors.
- Ideally used in the power supply for DSC, Note PC, DVC and W-LED backlighting.
- RoHS Compliance

**Dimensions (mm)**

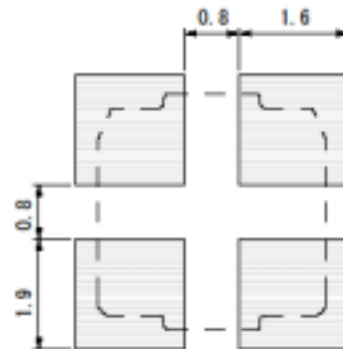


**Schematics (Bottom)**



"S" indicates winding start.

**Land Pattern (mm)**



**Type: CLS3D18**
**Specification**

Part No.	Stamp	Inductance [ Within ]	Saturation Current ( A ) (at 20 ) 1				Temperature Rise current (A) 2	
			(1,4-2,3)		(2-3) (1,4 Short)		(1,4-2,3)	(2-3) (1,4 Short)
			at20	at100	at20	at100		
CLS3D18NP-1RØN	A	1.0 µH ± 30%	1.65	1.53	0.82	0.72	2.1	1.02
CLS3D18NP -1R8N	B	1.8µH±30%	1.24	1.08	0.62	0.51	1.8	0.83
CLS3D18NP -2R2N	C	2.2µH±30%	1.04	0.95	0.53	0.46	1.6	0.80
CLS3D18NP -3R3N	D	3.3µH±30%	1.01	0.86	0.49	0.41	1.35	0.60
CLS3D18NP -5RØN	E	5.0µH±30%	0.73	0.63	0.35	0.32	1.17	0.50
CLS3D18NP -6R8N	F	6.8µH±30%	0.61	0.59	0.32	0.27	0.98	0.47
CLS3D18NP -1ØØN	G	10µH±30%	0.51	0.45	0.24	0.23	0.75	0.34

**Description Of Part Name**

CLS3D18NP -1R0N

- B Box
- C Carrier Tape

1. Saturation Current: The DC current at which the inductance decreases to 90% of it's nominal value.
2. Temperature rise current: The DC current at which the temperature rise is  $t = 40$  . ( $T_a = 20$  ).