

Type: CLP135

TECHNICAL EVALUATION

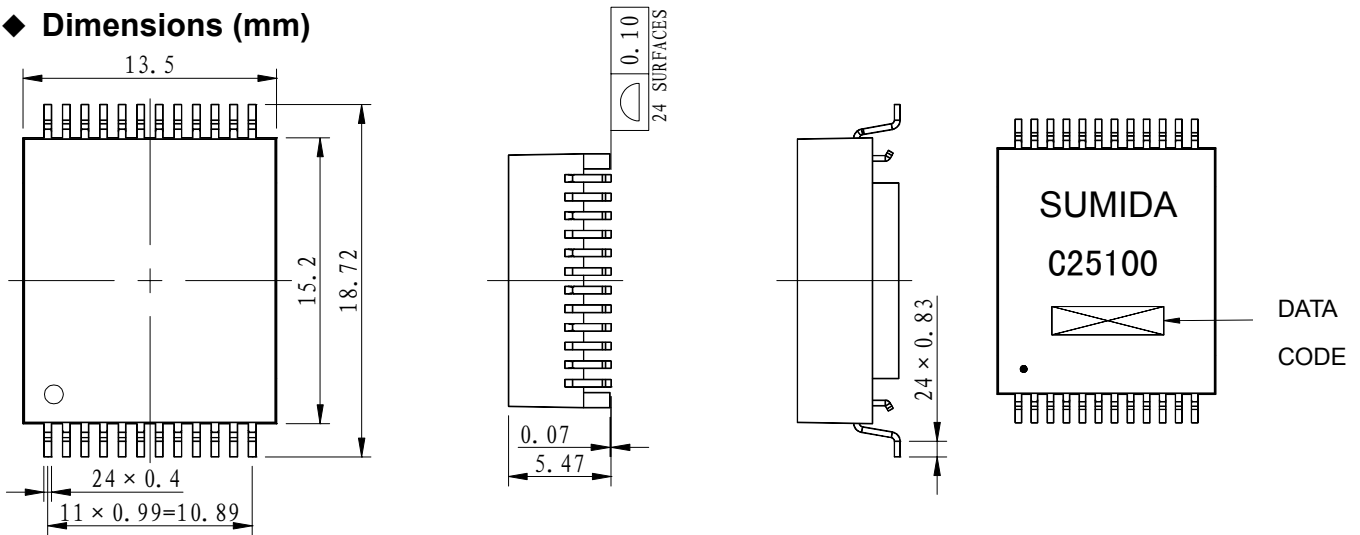
◆ **Product Description**

- 15.2mm × 13.5mm Typ. (L × W), 5.47mm Typ. Height.
- Pulse transformer + filter module for LAN 10/100 Base-T (IEEE802.3).
- In addition to the typical parameters shown here, custom designs are available.

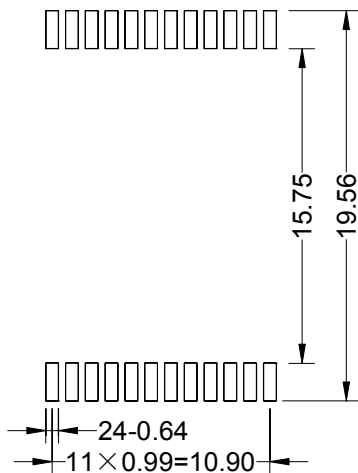
◆ **Feature**

- 10/100Base-T discrete dual port modules or 1000Base-T single port modules.
- Ideally used in LAN and PoE-enabled LAN applications, router, Hub, switch, etc.
- RoHS Compliance.

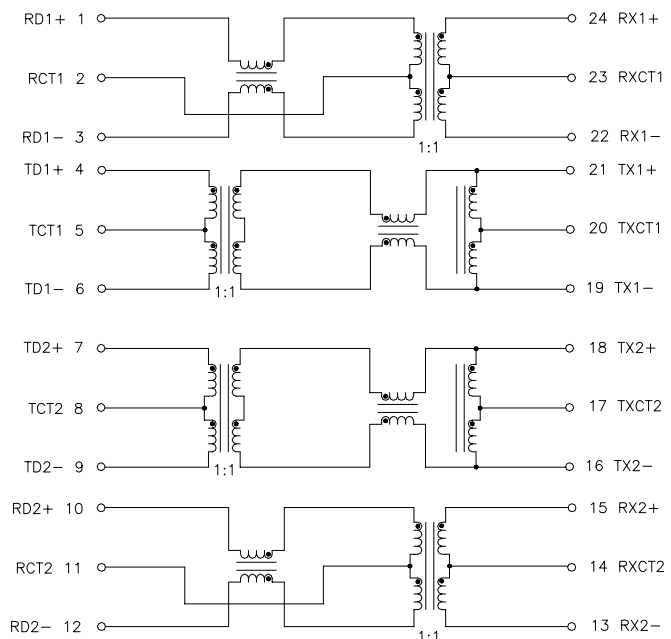
◆ **Dimensions (mm)**



◆ **Land Pattern (mm)**



◆ **Schematics (Bottom)**



Type: CLP135
◆ Specification(C25100)

Item	Specification	Condition
Inductance	350 μ H MIN	100kHz, 100mV, 8mA DC Bias
Turn ratio	1:1 \pm 2%	
Insertion loss	-1.1 dB MIN.	1 MHz~100MHz
Return loss	-18dB MAX.	1MHz~30MHz
	-18dB MAX.	40MHz
	-16dB MAX.	50MHz
	-12dB MAX.	60 MHz~80MHz
	-10dB MAX.	100MHz
Common mode rejection	-43dB MAX.	30MHz
	-37dB MAX.	60MHz
	-33dB MAX.	100MHz
Crosstalk	-45dB MAX.	30MHz
	-40dB MAX.	60MHz
	-35dB MAX.	100MHz
Hipot	1500Vac(50/60Hz), 0.5mA, 2 Seconds	