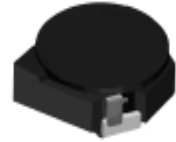
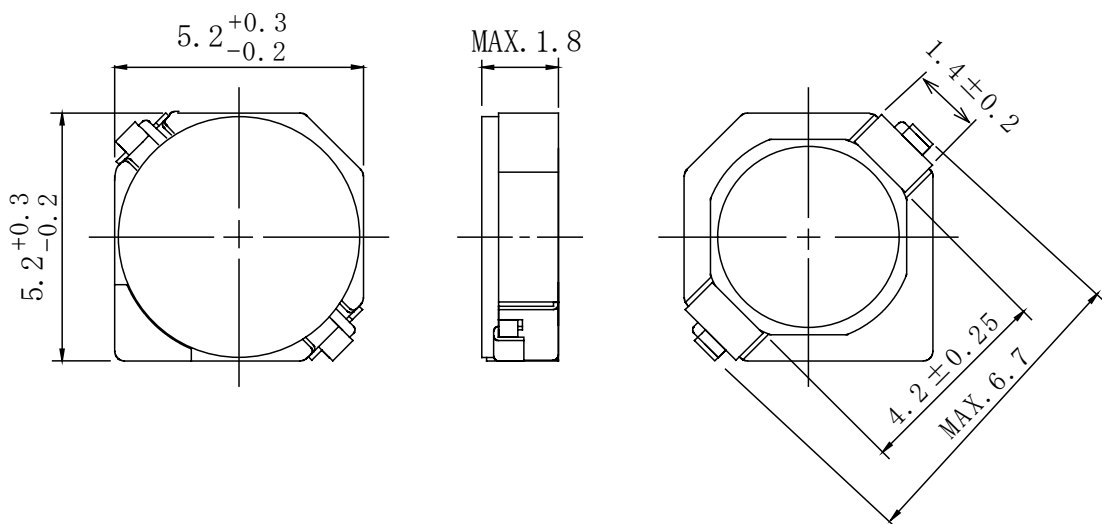
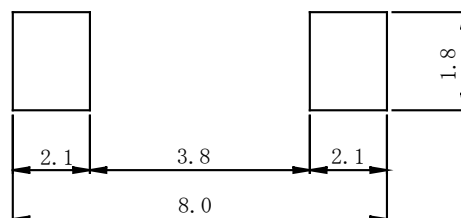


**Type: CDRH5D16F/LD**
**◆ Product Description**

- 5.5×5.5mm Max. (L×W), 1.8mm Max. Height.
- Inductance Range:2.2~47  $\mu$  H
- Rated Current Range 0.40~1.8A


**◆ Feature**

- Magnetically shielded construction.
- Ideally Used in Game Machine, Notebook PC,PDA,DSC/DVC, etc as DC-DC Converter inductors.
- RoHS Compliance.

**◆ Dimensions (mm)**

**◆ Land Pattern (mm)**


**Type: CDRH5D16F/LD**
**◆ Specification**

Part Name ※	Stamp	Inductance 100kHz/1V	D.C.R.(mΩ) Max.(Typ.) (20°C)	Saturation current (mA) ※1	Temperature rise current (A)※2
CDRH5D16F/LDNP-2R2N□	2R2	2.2 μH±25%	27.0(22.5)	1.8	3.8
CDRH5D16F/LDNP-2R9N□	2R9	2.9 μH±25%	32.0(26.7)	1.6	3.6
CDRH5D16F/LDNP-4R7N□	4R7	4.7 μH±25%	37.0(31.0)	1.2	2.9
CDRH5D16F/LDNP-6R8N□	6R8	6.8 μH±25%	50.0(42.0)	1.05	2.4
CDRH5D16F/LDNP-100N□	100	10 μH±25%	78.6(65.5)	0.92	1.9
CDRH5D16F/LDNP-150N□	150	15 μH±25%	110.0(92.0)	0.70	1.5
CDRH5D16F/LDNP-220N□	220	22 μH±25%	168.0(140.0)	0.61	1.2
CDRH5D16F/LDNP-330N□	330	33 μH±25%	267.0(223.0)	0.50	0.9
CDRH5D16F/LDNP-470N□	470	47 μH±25%	363.0(303.0)	0.40	0.82

**※ Description of part name**

CDRH5D16F/LDNP-4R7N□

- B Box
- C Carrier Tape

- ※ 1.Saturation Current: The DC current at which the inductance decreases to 65% of it's nominal value (Ta=20°C)
- ※ 2 .Temperature rise current: The DC current at which the temperature rise is Δt=40°C. (Ta=20°C)