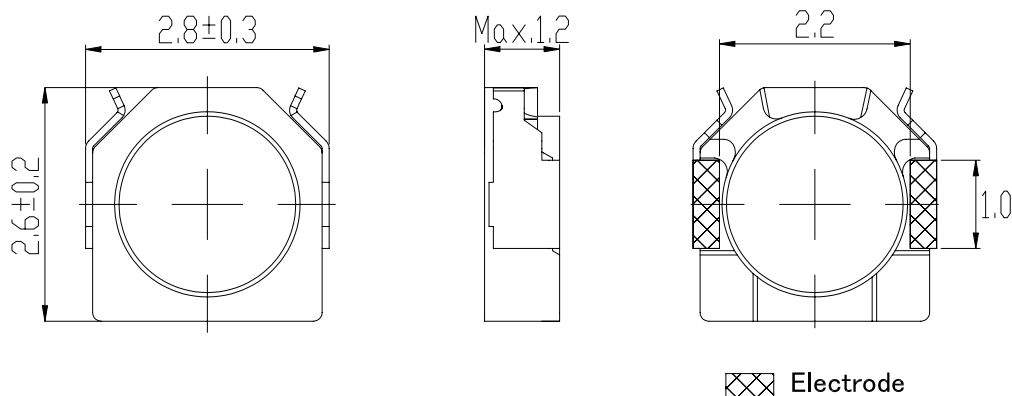


Type: CDRH26D11
◆ Product Description

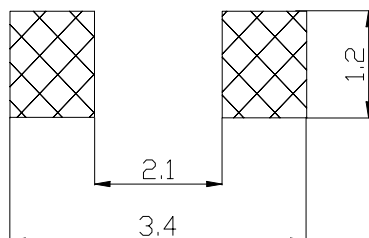
- 3.0×2.8mm Max.(L×W),1.0mm Max. Height.
- Inductance range: 1~15 μ H.
- Rated current range:0.36~1.44A.
- Custom design is available.


◆ Feature

- Magnetically shielded construction.
- Ideally used in Mobilephone,PDA,MP3,DSC/DVC etc as DC-DC Converter inductors.
- RoHS Compliance.

◆ Dimensions (mm)


Dimensions without tolerance are approx.

◆ Land Pattern (mm)


Type: CDRH26D11
◆ Specification

Part Name ※	Stamp	Inductance (μ H) 100kHz/1V	D.C.R.(m Ω) Max.(Typ.) (at 20°C)	Saturation Current (A) ※1		Temperature Rise Current (A)※2
				(at 20°C)	(at 105°C)	
CDRH26D11NP-1R0P□	A	1.0 \pm 25%	63.8(51.0)	1.44	1.20	1.80
CDRH26D11NP-1R4P□	B	1.4 \pm 25%	71.1(56.9)	1.24	1.07	1.70
CDRH26D11NP-2R2P□	C	2.2 \pm 25%	111(81.1)	0.98	0.85	1.25
CDRH26D11NP-2R7P□	D	2.7 \pm 25%	122(97.7)	0.88	0.74	1.15
CDRH26D11NP-3R3P□	E	3.3 \pm 25%	135(108)	0.75	0.65	1.05
CDRH26D11NP-4R7P□	F	4.7 \pm 25%	225(180)	0.64	0.52	0.85
CDRH26D11NP-5R6P□	G	5.6 \pm 25%	261(209)	0.59	0.50	0.75
CDRH26D11NP-6R8P□	H	6.8 \pm 25%	280(224)	0.56	0.45	0.70
CDRH26D11NP-8R2P□	I	8.2 \pm 25%	386(309)	0.47	0.40	0.60
CDRH26D11NP-100P□	J	10 \pm 25%	431(345)	0.44	0.38	0.52
CDRH26D11NP-120P□	K	12 \pm 25%	601(481)	0.39	0.33	0.43
CDRH26D11NP-150P□	L	15 \pm 25%	694(555)	0.36	0.31	0.40

※ Description of part name

CDRH26D11NP-1R0P□

- B Box
- C Carrier Tape

※1.Saturation Current: The DC current at which the inductance decreases to 70% of it's nominal value.
(Ta=20°C)

※2.Temperature Rise Current: The DC current at which the temperature rise is $\Delta t=40^{\circ}\text{C}$ (Ta=20°C) .