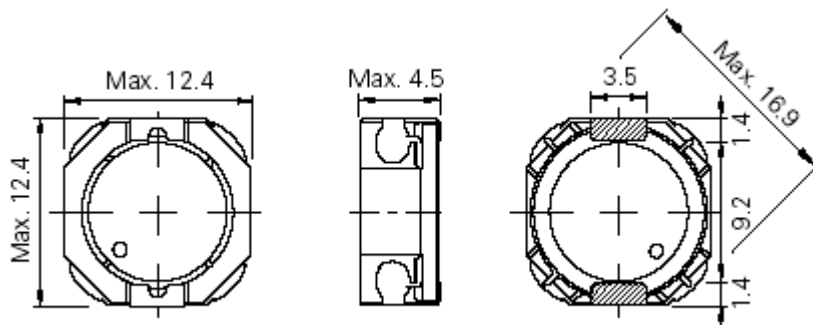
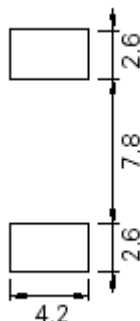


Type: CDRH12D43R
UNDER DEVELOPMENT
◆ Product Description

- 12.4 × 12.4mm Max.(L×W), 4.5mm Max. Height.
- Inductance range: 10~1000 μ H.
- Rated current range: 0.43~4.86A.
- In addition to the reference versions of parameters shown here, custom designs are available to meet your exact requirements.


◆ Feature

- Magnetically shielded construction.
- Ideally used in PDA,MP3,DSC/DVC,HDD,etc as DC-DC Converter inductors.
- Modified type from CDRH124 has better electrical characteristics(saturation,DCR,Rs) than that of CDRH124.
- RoHS Compliance

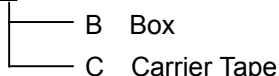
◆ Dimensions (mm)

◆ Land Pattern (mm)


Type: CDRH12D43R
◆ Specification

Part Name ※	Stamp	Inductance (μ H) [Within] 100kHz/1V	D.C.R.(Ω) Max.(Typ.) (at 20°C)	Saturation Current (A) ※1		Temperature Rise current (A) ※2
				(at 20°C)	(at 105°C)	
CDRH12D43RNP-100M□	100	10 \pm 20%	22.5m(18m)	6.3	4.3	4.86
CDRH12D43RNP-150M□	150	15 \pm 20%	35m(28m)	4.9	3.4	3.88
CDRH12D43RNP-220M□	220	22 \pm 20%	46.3m(37m)	4.2	2.9	3.29
CDRH12D43RNP-330M□	330	33 \pm 20%	68.8m(55m)	3.5	2.35	2.62
CDRH12D43RNP-470M□	470	47 \pm 20%	97.5m(78m)	2.85	1.95	2.17
CDRH12D43RNP-680M□	680	68 \pm 20%	138.8m(111m)	2.35	1.75	1.85
CDRH12D43RNP-101M□	101	100 \pm 20%	193.8m(155m)	1.95	1.35	1.52
CDRH12D43RNP-151M□	151	150 \pm 20%	288.8m(231m)	1.56	1.08	1.22
CDRH12D43RNP-221M□	221	220 \pm 20%	421.3m(337m)	1.28	0.88	1.01
CDRH12D43RNP-331M□	331	330 \pm 20%	701.3m(651m)	1.05	0.71	0.75
CDRH12D43RNP-471M□	471	470 \pm 20%	1.018(814m)	0.86	0.60	0.65
CDRH12D43RNP-681M□	681	680 \pm 20%	1.420(1.136)	0.72	0.49	0.53
CDRH12D43RNP-102M□	102	1000 \pm 20%	2.173(1.738)	0.58	0.41	0.43

※ Description of part name

CDRH12D43RNP-100M□



※1.Saturation Current: The DC current at which the inductance decreases to 65% of it's nominal value.

 ※2 Temperature rise current: The DC current at which the temperature rise is $\Delta t=40^{\circ}\text{C}$. ($T_a=20^{\circ}\text{C}$)

This datasheet is not a final issue, and maybe something will be changed before production.