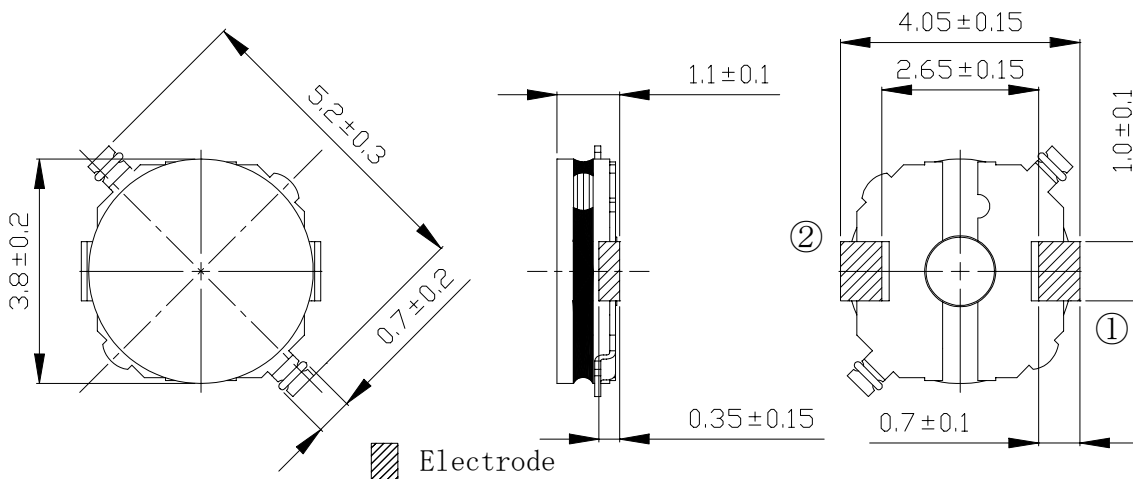
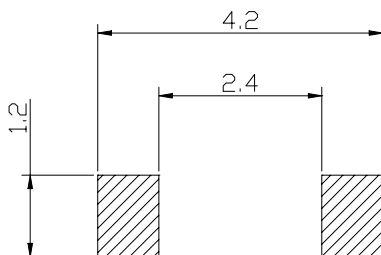


Type: CDH38D11B
◆ Product Description

- 4.2×4.0mm Max.(L×W), 1.2mm Max. Height.
- Inductance range: 1.5~10 μ H
- Rated current range:0.49~1.27A
- In addition to the standard versions of inductors shown here, custom inductors are available to meet your exact requirements.


◆ Feature

- Magnetically unshielded construction.
- Ideally used in Mobilephone,PDA,MP3,DSC/DVC,HDD,etc as DC-DC Converter inductors.
- RoHS Compliance

◆ Dimensions (mm)

◆ Land Pattern (mm)


Type: CDH38D11B
◆ Specification

Part Name ※	Stamp	Inductance [Within] 100kHz/1V	D.C.R.(mΩ) Max.(Typ.) (at 20°C)	Saturation Current (A) ※1		Temperature Rise current (A) ※2
				at 20°C	at 100°C	
CDH38D11BNP-1R5M□	A	1.5 μH ± 20%	79(63)	1.27	0.84	2.05
CDH38D11BNP-2R5M□	B	2.5 μH ± 20%	116(93)	0.98	0.72	1.55
CDH38D11BNP-3R3M□	C	3.3 μH ± 20%	141(113)	0.85	0.64	1.30
CDH38D11BNP-4R7M□	D	4.7 μH ± 20%	200(160)	0.72	0.51	1.07
CDH38D11BNP-6R8M□	E	6.8 μH ± 20%	240(192)	0.61	0.41	1.00
CDH38D11BNP-8R2M□	F	8.2 μH ± 20%	331(264)	0.51	0.36	0.91
CDH38D11BNP-100M□	G	10.0 μH ± 20%	357(286)	0.49	0.35	0.82

※ Description of part Name

CDH38D11BNP-1R5M□

- B Box
- C Carrier Tape

※1.Saturation Current: The DC current at which the inductance decreases to 70% of it's nominal value.

※2 Temperature rise current:The DC current at which the temperature rise is Δt=40°C.(Ta=20°C)