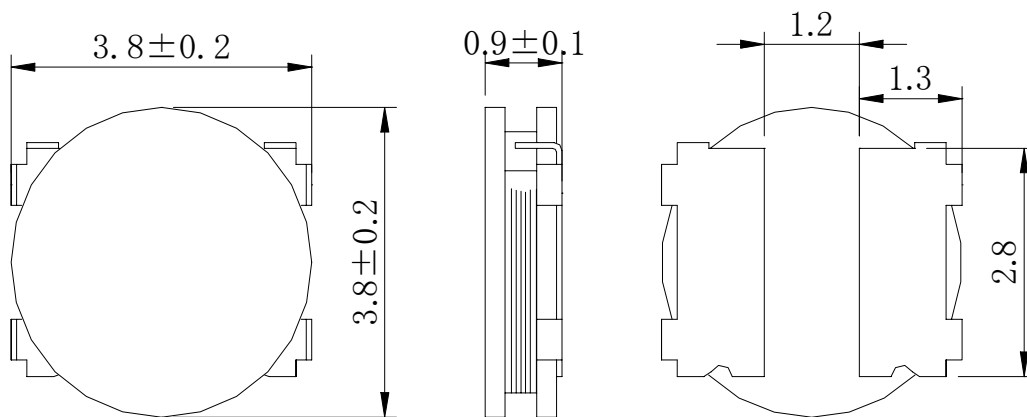
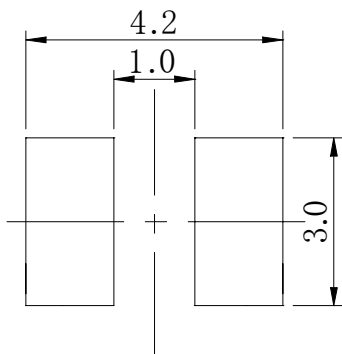


**Type: CDH38D09**
**◆ Product Description**

- 4.0×4.0mm Max.(L×W), 1.0mm Max. Height.
- Inductance range: 1.2~22  $\mu$  H
- Rated current range: 0.45~1.35A
- In addition to the standard versions of inductors shown here, custom inductors are available to meet your exact requirements.


**◆ Feature**

- Magnetically unshielded construction.
- Ideally used in Mobilephone,PDA,MP3,DSC/DVC,HDD,etc as DC-DC Converter inductors.
- RoHS Compliance

**◆ Dimensions (mm)**

**◆ Land Pattern (mm)**


**Type: CDH38D09**
**◆ Specification**

Part Name ※	Stamp	Inductance ( $\mu$ H) [Within] 100kHz/1V	D.C.R.( $\Omega$ ) Max.(Typ.) (at 20°C)	Saturation Current (A) ※1		Temperature Rise current (A) ※2
				at 20°C	at105°C	
CDH38D09NP-1R2M□	1R2	1.2 $\pm$ 20%	0.14(0.11)	1.90	1.60	1.35
CDH38D09NP-1R5M□	1R5	1.5 $\pm$ 20%	0.16(0.13)	1.70	1.40	1.25
CDH38D09NP-2R2M□	2R2	2.2 $\pm$ 20%	0.19(0.15)	1.50	1.25	1.15
CDH38D09NP-2R7M□	2R7	2.7 $\pm$ 20%	0.21(0.17)	1.35	1.15	1.10
CDH38D09NP-3R3M□	3R3	3.3 $\pm$ 20%	0.24(0.19)	1.25	1.00	1.00
CDH38D09NP-4R7M□	4R7	4.7 $\pm$ 20%	0.30(0.24)	1.10	0.85	0.95
CDH38D09NP-6R8M□	6R8	6.8 $\pm$ 20%	0.39(0.31)	0.90	0.72	0.85
CDH38D09NP-8R2M□	8R2	8.2 $\pm$ 20%	0.50(0.40)	0.80	0.65	0.75
CDH38D09NP-100M□	100	10.0 $\pm$ 20%	0.58(0.47)	0.7	0.60	0.70
CDH38D09NP-150M□	150	15.0 $\pm$ 20%	0.87(0.69)	0.60	0.50	0.55
CDH38D09NP-220M□	220	22.0 $\pm$ 20%	1.14(0.91)	0.50	0.40	0.45

**※ Description of part name**

CDH38D09NP-1R2M□

- └─ B Box
- └─ C Carrier Tape

※1.Saturation Current: The DC current at which the inductance decreases to 65% of it's nominal value.

 ※2 Temperature rise current:The DC current at which the temperature rise is  $\Delta t=40^{\circ}\text{C}$ .( $T_a=20^{\circ}\text{C}$ )