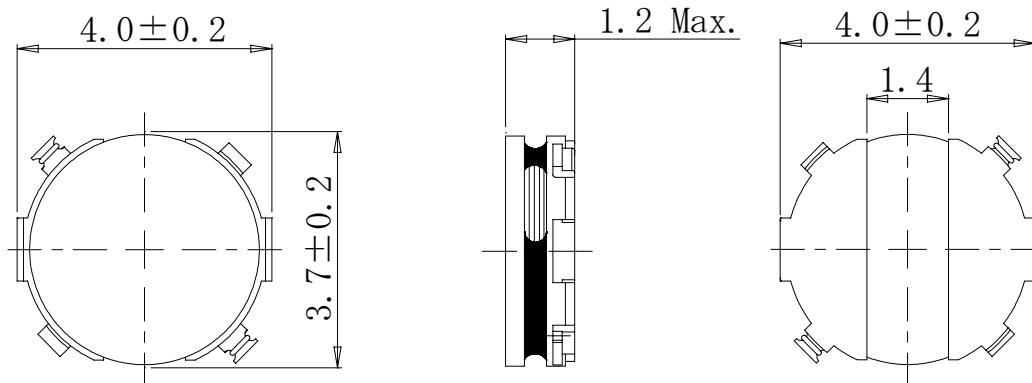
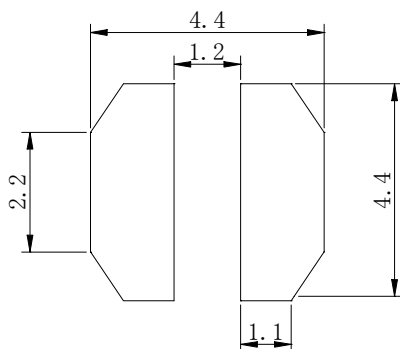


**Type: CDH37D10/SLD**
**◆ Product Description**

- 4.2×4.2mm Max.(L×W), 1.2mm Max. Height.
- Inductance range: 1.0~47  $\mu$  H
- Rated current range: 0.34~2.2A
- In addition to the standard versions of inductors shown here, custom inductors are available to meet your exact requirements.


**◆ Feature**

- Magnetically unshielded construction.
- Ideally used in Mobilephone,PDA,MP3,DSC/DVC,HDD,etc as DC-DC Converter inductors.
- Dropping impact reinforced types.
- RoHS Compliance

**◆ Dimensions (mm)**

**◆ Land Pattern (mm)**


**Type: CDH37D10/SLD**
**◆ Specification**

Part Name ※	Stamp	Inductance ( $\mu$ H) [Within] 100kHz/1V	D.C.R.(m $\Omega$ ) Max.(Typ.) (at 20°C)	Saturation Current (A) ※1		Temperature Rise current (A) ※2
				at 20°C	at105°C	
CDH37D10SLDNP-1R0M□	1R0	1.0±20%	47.3(37.8)	2.2	1.86	2.55
CDH37D10SLDNP-1R5M□	1R5	1.5±20%	57.4(45.9)	1.8	1.57	2.45
CDH37D10SLDNP-1R8M□	1R8	1.8±20%	67.5(54.0)	1.72	1.47	2.40
CDH37D10SLDNP-2R2M□	2R2	2.2±20%	87.3(69.8)	1.52	1.32	2.05
CDH37D10SLDNP-3R3M□	3R3	3.3±20%	113.7(91.0)	1.27	1.08	1.85
CDH37D10SLDNP-4R7M□	4R7	4.7±20%	178.3(142.6)	1.08	0.9	1.43
CDH37D10SLDNP-5R6M□	5R6	5.6±20%	197.9(158.3)	0.96	0.83	1.35
CDH37D10SLDNP-6R8M□	6R8	6.8±20%	256.8(205.4)	0.86	0.74	1.20
CDH37D10SLDNP-8R2M□	8R2	8.2±20%	279.1(223.3)	0.76	0.67	1.13
CDH37D10SLDNP-100M□	100	10.0±20%	335.3(268.2)	0.74	0.63	1.05
CDH37D10SLDNP-120M□	120	12.0±20%	410.8(328.6)	0.66	0.57	0.9
CDH37D10SLDNP-150M□	150	15.0±20%	468.6(374.9)	0.59	0.51	0.85
CDH37D10SLDNP-220M□	220	22.0±20%	722.1(577.7)	0.49	0.45	0.72
CDH37D10SLDNP-330M□	330	33.0±20%	1105(920.6)	0.41	0.37	0.55
CDH37D10SLDNP-470M□	470	47.0±20%	1630(1357.9)	0.34	0.26	0.45

**※ Description of part name**

CDH37D10SLDNP-1R0M□  
     └── B Box  
     └── C Carrier Tape

※1.Saturation Current: The DC current at which the inductance decreases to 65% of it's nominal value.

※2 Temperature rise current: The DC current at which the temperature rise is  $\Delta t=40^{\circ}\text{C}$ .( $T_a=20^{\circ}\text{C}$ )