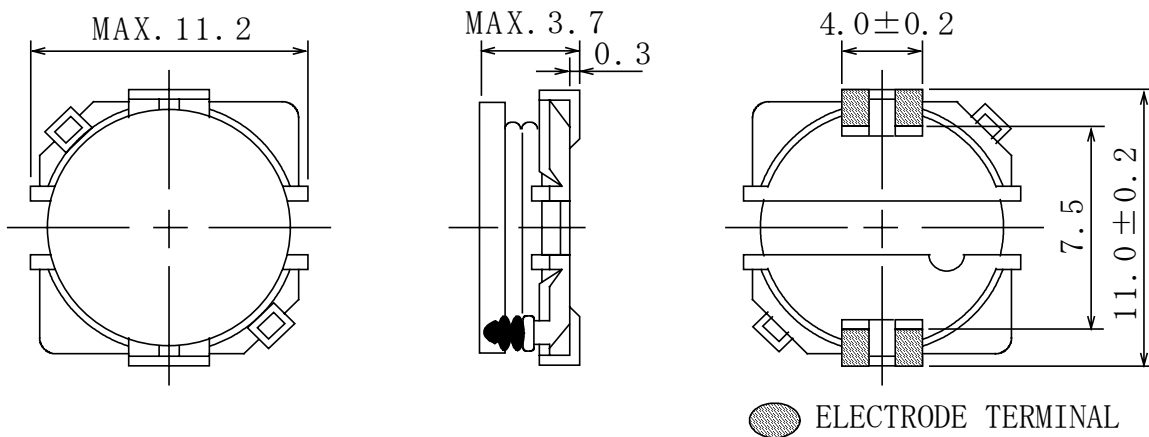
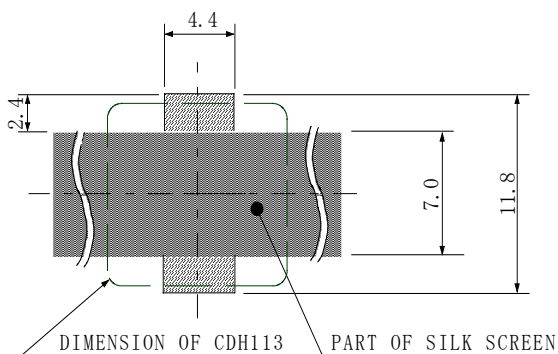


**Type: CDH113**
**◆ Product Description**

- 11.2×11.2mm Max.(L×W),3.7mm Max. Height.
- Inductance Range: 10~470 μ H
- Rated current range: 0.29~2.0A
- In addition to the standard versions of inductors shown here, custom inductors are available to meet your exact requirements.


**◆ Feature**

- Magnetically unshielded construction.
- Ideally used in Notebook PC ,DVD, LCD TV ,Game machine, Projector etc as DC-DC Converter inductors.
- RoHS Compliance

**◆ Dimensions (mm)**

**◆ Land Pattern (mm)**


**Type: CDH113**
**◆ Specification**

| Part Name<br>※                   | Stamp      | Inductance<br>[Within]<br>1 kHz | D.C.R.(Ω)<br>Max.(Typ.)<br>(at 20°C) | Rated current<br>(A) ※1 |
|----------------------------------|------------|---------------------------------|--------------------------------------|-------------------------|
| CDH113NP-100M□<br>CDH113NP-120M□ | 100<br>120 | 10 μ H±20%<br>12 μ H±20%        | 47m(36m)<br>56m(43m)                 | 2.00<br>1.80            |
| CDH113NP-150M□<br>CDH113NP-180M□ | 150<br>180 | 15 μ H±20%<br>18 μ H±20%        | 72m(56m)<br>78m(60m)                 | 1.55<br>1.45            |
| CDH113NP-220M□<br>CDH113NP-270L□ | 220<br>270 | 22 μ H±20%<br>27 μ H±15%        | 98m(75m)<br>0.11(87m)                | 1.25<br>1.16            |
| CDH113NP-330L□<br>CDH113NP-390L□ | 330<br>390 | 33 μ H±15%<br>39 μ H±15%        | 0.15(0.11)<br>0.17(0.13)             | 1.05<br>0.97            |
| CDH113NP-470L□<br>CDH113NP-560K□ | 470<br>560 | 47 μ H±15%<br>56 μ H±10%        | 0.22(0.17)<br>0.24(0.19)             | 0.91<br>0.80            |
| CDH113NP-680K□<br>CDH113NP-820K□ | 680<br>820 | 68 μ H±10%<br>82 μ H±10%        | 0.28(0.21)<br>0.38(0.29)             | 0.76<br>0.66            |
| CDH113NP-101K□<br>CDH113NP-121K□ | 101<br>121 | 100 μ H±10%<br>120 μ H±10%      | 0.43(0.33)<br>0.49(0.38)             | 0.61<br>0.56            |
| CDH113NP-151K□<br>CDH113NP-181K□ | 151<br>181 | 150 μ H±10%<br>180 μ H±10%      | 0.61(0.47)<br>0.75(0.58)             | 0.49<br>0.45            |
| CDH113NP-221K□<br>CDH113NP-271K□ | 221<br>271 | 220 μ H±10%<br>270 μ H±10%      | 0.90(0.69)<br>1.13(0.87)             | 0.43<br>0.37            |
| CDH113NP-331K□<br>CDH113NP-391K□ | 331<br>391 | 330 μ H±10%<br>390 μ H±10%      | 1.28(1.02)<br>1.60(1.28)             | 0.34<br>0.31            |
| CDH113NP-471K□                   | 471        | 470 μ H±10%                     | 1.88(1.50)                           | 0.29                    |

**※ Description of part name**

CDH113NP-100M□  
└── B Box  
└── C Carrier Tape

※1 Rated current: The DC current at which the inductance decreases to 90% of its initial value or when  $\Delta t=40^{\circ}\text{C}$ , whichever is lower( $T_a=20^{\circ}\text{C}$ ).