

UNDER DEVELOPMENT

Type: CDEP136ME

Product Description

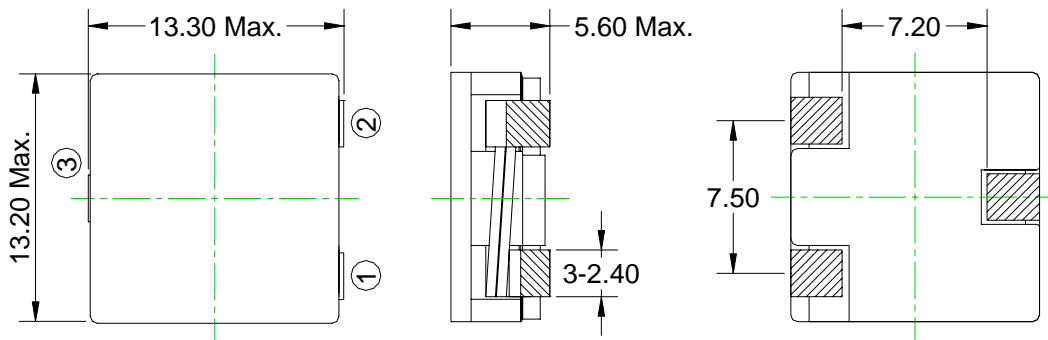
- 13.3 × 13.2mm Max. (L × W), 5.6mm Max. height
- Inductance range: 0.7 ~ 1.2 μH
- Rated Current Range: 17 ~ 18.3A



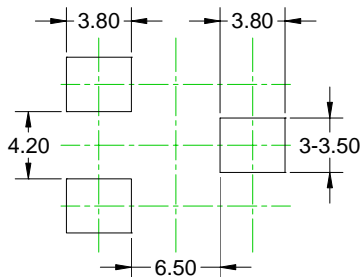
Feature

- Super high current inductors.
- Iron powder core used, Flat wire used.
- Ideally used in POL module DC/DC converter and computer CPU power supply.
- RoHS Compliance

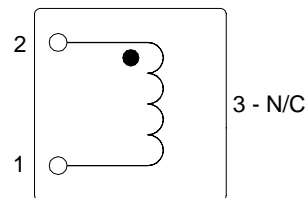
Dimensions (mm)



Land Pattern (mm)



Schematics (Bottom)



Specification

Part Name	Stamp	Inductance [Within] 100kHz	D.C.R.(m Ω) Max.(Typ.) (at 20 °C)	Saturation Current (A) 1	Temperature Rise current (A) 2
CDEP136MENP-0R7M	0R7	0.70uH ± 20%	1.6 (1.3)	22.4	18.3
CDEP136MENP-1R2M	1R2	1.20 μH ± 20%	1.8 (1.5)	17.2	17.0

Description of part name

CDEP136MENP-0R7M

- B Box
- C Carrier Tape

1. Saturation current: The DC current at which the inductance decreases to 80% of its initial value. (Ta = 20 °C)
 2 Temperature rise current: The DC current at which the temperature rise is Δt = 40 °C. (Ta = 20 °C)