

Type: CDEP135BME

UNDER DEVELOPMENT

Product Description

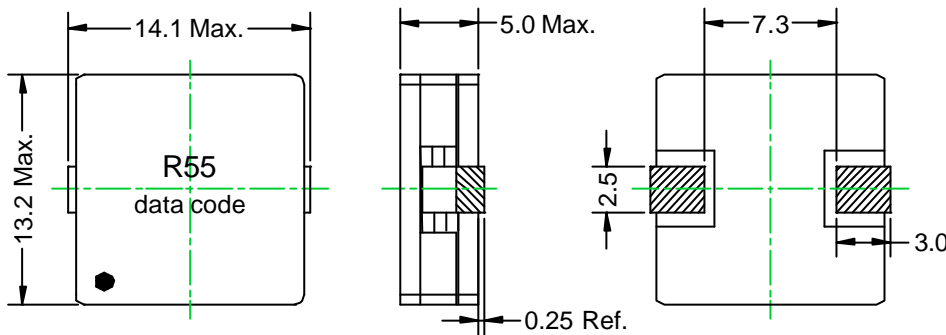
- 14.1 × 13.2mm Max. (L × W), 5.0mm Max. height
- Inductance range: 0.55 μH
- Rated Current Range: 20.0A



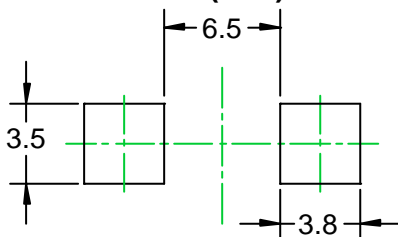
Feature

- Super high current inductors.
- Iron powder core used, Flat wire used.
- Ideally used in POL module DC/DC converter and computer CPU power supply.
- RoHS Compliance

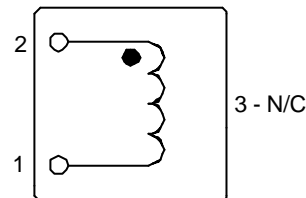
Dimensions (mm)



Land Pattern (mm)



Schematics (Bottom)

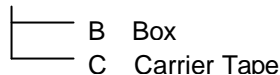


Specification

Part Name	Stamp	Inductance [Within] 100kHz/0.1V	D.C.R.(m Ω) Max.(Typ.) (at 20 °C)	Saturation Current (A) 1	Temperature Rise current (A) 2
CDEP135BMENP-0R55M	0R55	0.55 ± 20%	1.2 (1.0)	28.0 (36Typ)	20.0

Description of part name

CDEP135BMENP-0R55M



1. Saturation current: The DC current at which the inductance decreases to 80% of it's initial value. (Ta = 20 °C)
- 2 Temperature rise current: The DC current at which the temperature rise is Δt = 40 °C. (Ta = 20 °C)

NOTE: THIS SPEC IS NOT THE FINAL ISSUE. AND MAYBE SOME PARTS WILL BE CHANGED BEFORE PRODUCTION.