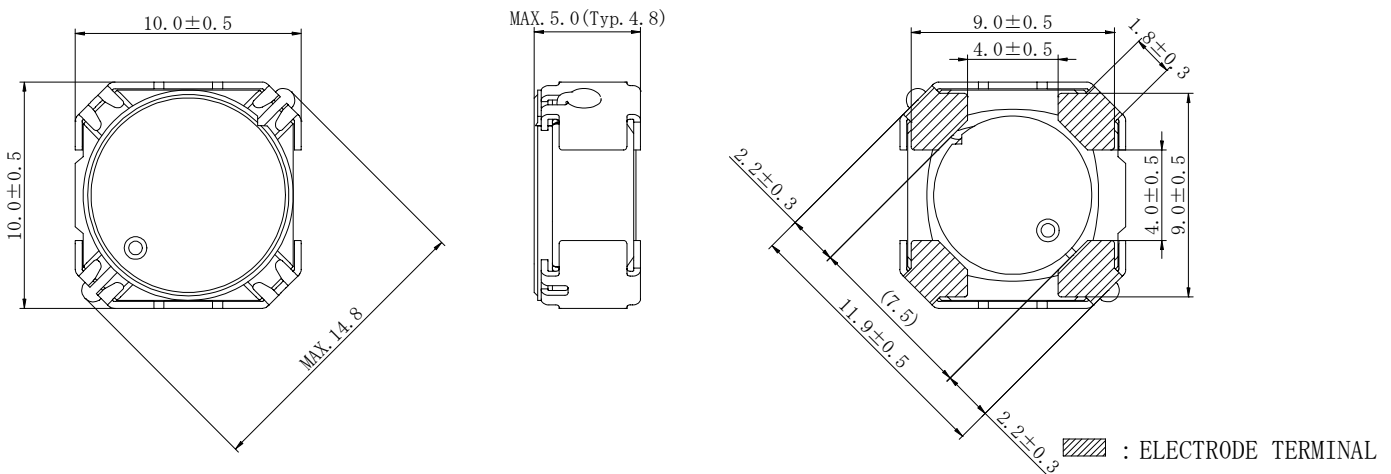
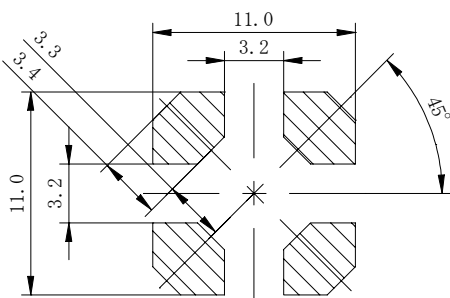
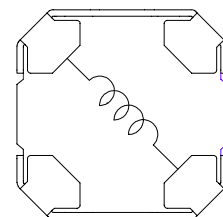


Type: CDCH10D48/A
◆ Product Description

- 10.5×10.5mm Max.(L×W), 5.0mm Max. Height.
- Inductance Range: 10~390 μ H
- Rated current range:0.38~2.5A(125)
- In addition to the standard versions of inductors shown here, custom inductors are available to meet your exact requirements.


◆ Feature

- Magnetically unshielded construction.
- High reliable inductors, suitable to use in high temperature environment(125°C)
- Ideally for automotive applications as converter inductors.
- RoHS Compliance

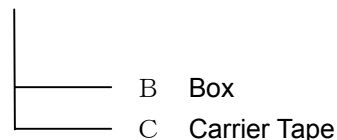
◆ Dimensions (mm)

◆ Land Pattern (mm)

◆ Schematics(Bottom)


Type: CDCH10D48/A
◆ Specification

Part Name ※	Stamp	Inductance [Within] 100kHz/1V	D.C.R.(mΩ) Max.(Typ.) (at 20°C)	Rated current (A)(at 125°C) ※1
CDCH1ØD48/ANP-1ØØK□	100	10 μ H±10%	41m(33m)	2.5
CDCH1ØD48/ANP-12ØK□	120	12 μ H±10%	54m(43m)	2.2
CDCH1ØD48/ANP-15ØK□	150	15 μ H±10%	61m(49m)	2.0
CDCH1ØD48/ANP-18ØK□	180	18 μ H±10%	76m(61m)	1.8
CDCH1ØD48/ANP-22ØK□	220	22 μ H±10%	88m(70m)	1.6
CDCH1ØD48/ANP-27ØK□	270	27 μ H±10%	108m(86m)	1.4
CDCH1ØD48/ANP-33ØK□	330	33 μ H±10%	140m(112m)	1.3
CDCH1ØD48/ANP-39ØK□	390	39 μ H±10%	165m(132m)	1.2
CDCH1ØD48/ANP-47ØK□	470	47 μ H±10%	189m(151m)	1.1
CDCH1ØD48/ANP-56ØK□	560	56 μ H±10%	228m(182m)	1.0
CDCH1ØD48/ANP-68ØK□	680	68 μ H±10%	285m(228m)	0.88
CDCH1ØD48/ANP-82ØK□	820	82 μ H±10%	0.33(0.26)	0.84
CDCH1ØD48/ANP-1Ø1K□	101	100 μ H±10%	0.41(0.33)	0.72
CDCH1ØD48/ANP-121K□	121	120 μ H±10%	0.47(0.38)	0.69
CDCH1ØD48/ANP-151K□	151	150 μ H±10%	0.61(0.49)	0.60
CDCH1ØD48/ANP-181K□	181	180 μ H±10%	0.68(0.55)	0.58
CDCH1ØD48/ANP-221K□	221	220 μ H±10%	0.89(0.71)	0.50
CDCH1ØD48/ANP-271K□	271	270 μ H±10%	1.00(0.80)	0.47
CDCH1ØD48/ANP-331K□	331	330 μ H±10%	1.36(1.08)	0.40
CDCH1ØD48/ANP-391K□	391	390 μ H±10%	1.51(1.20)	0.38

※ Description of part name

C D C H 1 Ø D 4 8 / A N P - 1 Ø Ø K □



※1. Rated current: The DC current at which the inductance decreases to 90 % of it's initial value or when $\Delta t=30^{\circ}\text{C}$, whichever is lower ($T_a=125^{\circ}\text{C}$).