

BRIGHT LED ELECTRONICS CORP.

SILICON PHOTO TRANSISTORS SPECIFICATION

●COMMODITY : T-1 3/4 Standard , 1.0"Lead 5 ϕ

●DEVICE NUMBER : BPT-BP0334

●LENS APPEARANCE : Water Clear

VERSION : 1.1 / 1999,04,13

●APPLICATIONS

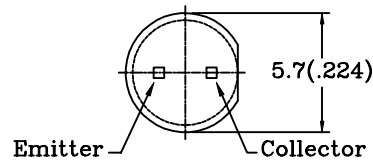
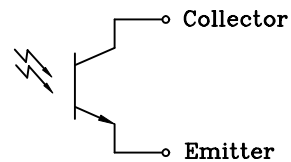
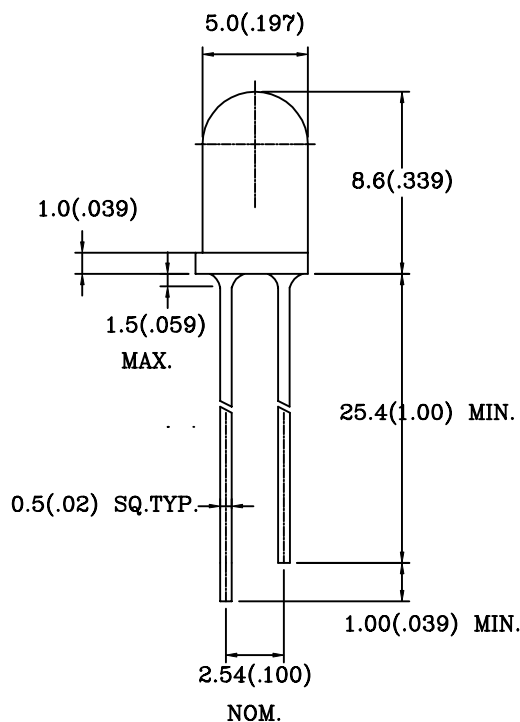
•Remote Control •Smoke Detector •Automatic Control System •PC Mouse •Optical Encoder

●ABSOLUTE MAXIMUM RATINGS (Ta=25°C)

- Collector-to-Emitter Saturation Voltage Vce (SAT) (Max.) 0.5V
- Emitter-to-Collector Breakdown Voltage (VBR) (Min.) 5V
- Operating Temperature Range -45°C ~ +100°C
- Storage Temperature Range -45°C ~ +100°C
- Lead Soldering Temperature (1/16 inch from case) 5sec 250°C
- Relative Humidity at 85°C 85%
- Power Dissipation 100mW
- Rise Time/Fall Time Tr/Tf (Vcc=30V、Ic=800uA、rl=1k Ω) 10/15uS

●ELECTRICAL AND OPTICAL CHARACTERISTICS (Ta=25°C)

| Absolute Maximum Rating | | | Collector Light Current (IC(ON)) | | | | Collector Dark Current (ICEO) | | Viewing Angle 2 θ 1/2 (deg) | Peak Wave Length λ P (nm) |
|-------------------------|------------|----------------|----------------------------------|--------------|------------|----------------------------|-------------------------------|------------|------------------------------------------|--------------------------------------|
| Vceo (V) | Pd (mW) | Topr (°C) | Min. (mA) | Typ. (mA) | Vce (V) | H (mW/cm ²) | Max (nA) | Vce (V) | | |
| 30 | 100 | -45°C ~ +100°C | 0.5 | 4.0 | 5 | 1.0 | 100 | 10 | 30 | 940 |



- NOTES: 1.All dimensions are in millimeters (inches).
 2.Tolerance is ± 0.25 mm (0.01") unless otherwise specified.
 3.Lead spacing is measured where the leads emerge from the package.
 4.Specifications are subject to change without notice.

RELEASED :



ENGINEER :

