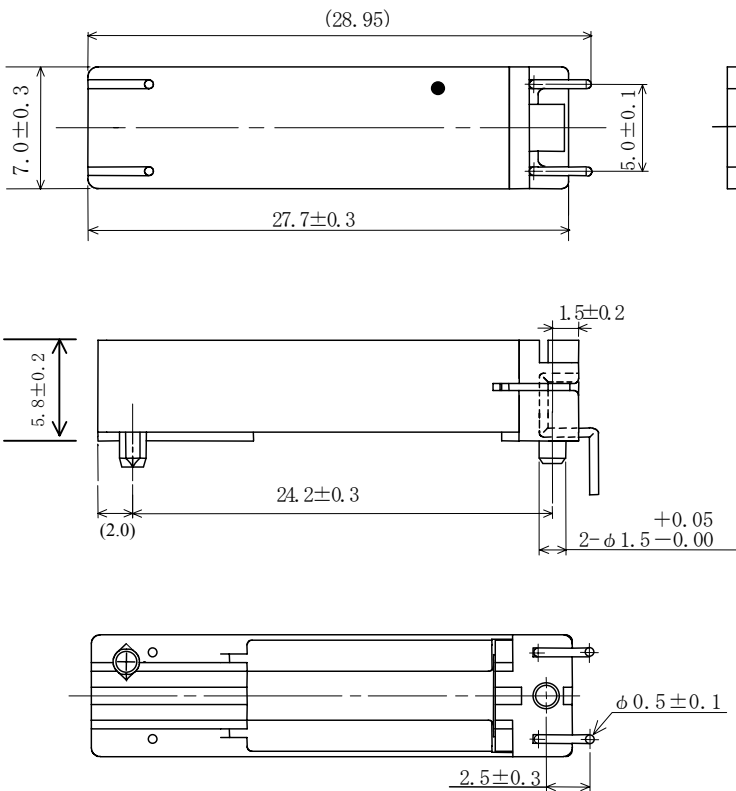
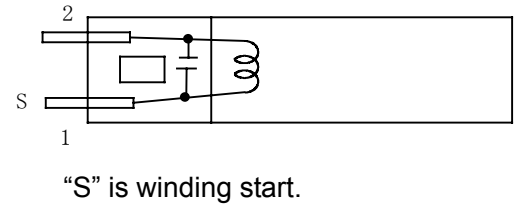


Type: ACL27J
◆ Product Description

- 28.95mm Typ. × 7.3mm Max. (L × W), 6.0mm Max. Height.
- Operating frequency: 40kHz, 60kHz, 77.5kHz.


◆ Feature

- Radio control clock antenna with capacitor.
- Ideally used in Radio control clock receiver, car, highway, railway, and hospital etc.
- RoHS Compliance.

◆ Dimensions (mm)

◆ Schematics (Bottom)

◆ Specification

NO.	Part Name	Stamp	Impedance (Min.)	Frequency Preset 1V (Within}	Unloaded Q (Ref.) (at 25°C)
1	ACL27J-40K	40K	90k Ω	40.0kHz ± 0.2kHz	80
2	ACL27J-60K	60K	65k Ω	60.0kHz ± 0.2kHz	95