

## SINGLE LAMP LED BULB

### Data Sheet

#### Description:

These single lamp LED Bulbs are specifically designed for flashlight electric equipment, indicator light switch and where a wide view angle. The 9mm round shaped radiation pattern (60°) and high luminous intensity ensure that these devices are excellent for wide field of view outdoor applications where a wide viewing angle and readability in sunlight are essential.

High efficiency LED materials are used in this Bulb. Every lamp is made with an advanced optical grade epoxy offering superior high shock and high temperature resistance in outdoor applications.

#### Feature:

- Wide view angle
- High luminous output
- Seven kind color
- Solid-state Vibration resistant
- Saving power
- Long life

#### Option:

- 6V to 240V AC or DC
- Other industry standard base

***A-BRIGHT***

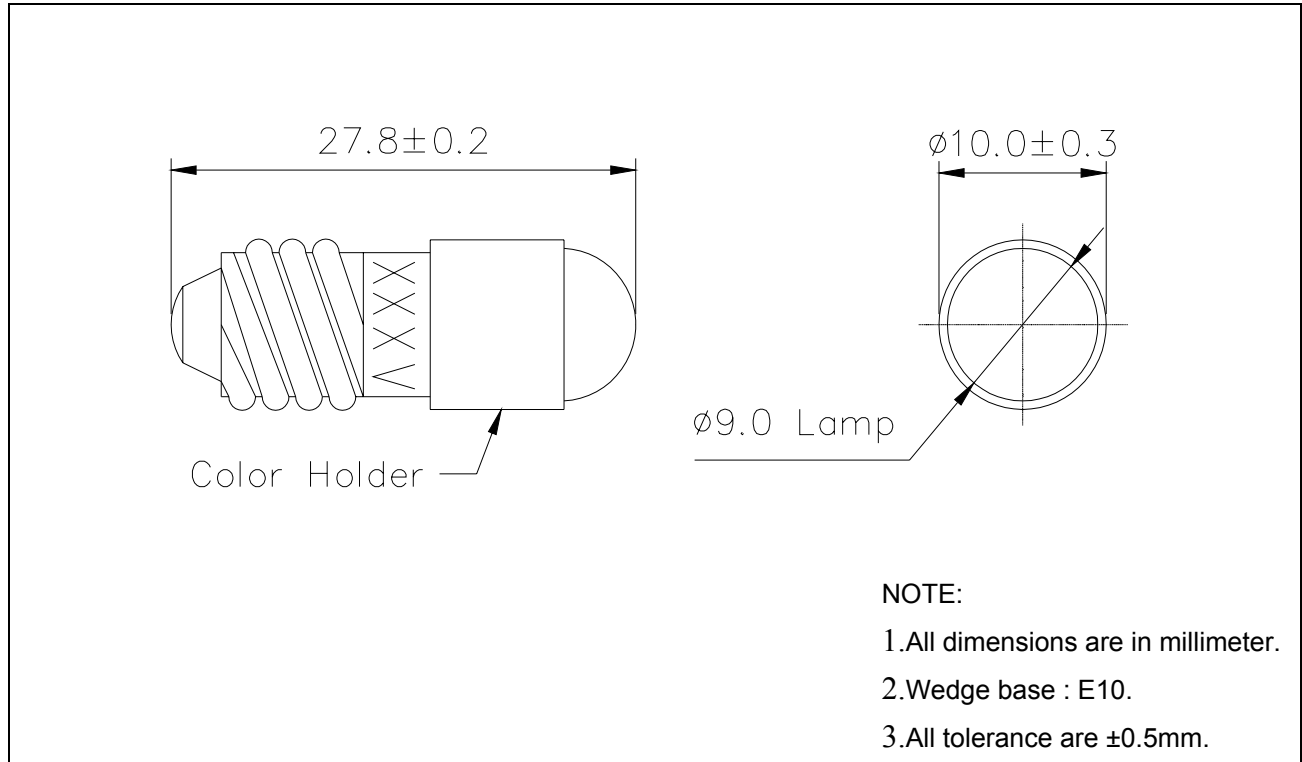
A-BRIGHT INDUSTRIAL CO.,LTD.

---

***Part No.: AB-9G1-24V-E***

***Single Lamp LED Bulb***

**PACKAGE DIMENSIONS:**



**NOTE:**

1. All dimensions are in millimeter.
2. Wedge base : E10.
3. All tolerance are  $\pm 0.5$ mm.

**Part No.: AB-9G1-24V-E**

**Single Lamp LED Bulb**

**FEATURE:**

- SUPER LUMINOSITY GREEN LED (InGaN).
- WHITE DIFFUSE PACKAGE.
- 9mm ALL RESIN MOLD.
- WIDE VIEWING ANGLE.
- BASE MODEL E10.
- ELECTRIC AC/DC BI-POLAR.

**MATERIALS:**

- LED LENS: UV RESISTENT EPOXY
- BULB BASE HOLDER: PBT+G6

**ABSOLUTE MAXIMUM RATING: Ta = 25 °C**

- PEAK OPERATE VOLTAGE..... 28 V
- OPERATING TEMPERATURE..... -25 TO +85°C
- STORAGE TEMPERATURE..... -35 TO +100°C
- LED BULB LIFE..... 20000 HOURS  
(LUMINANCE REDUCES to 50%)

**ABSOLUTE OPTICAL CHARACTERISTIC Ta= 25°C**

PARAMETER		SYMBOL	MIN	TYP	MAX	UNIT
Operate Voltage		V	----	24	28	V
Luminous Intensity	IF= 14 mA	Iv	380	500	----	mcd
Dominant Wavelength	IF= 14 mA	λd	----	525	----	nm
Spectrum Radiation Bandwidth	IF= 14 mA	Δλ	----	30	----	nm
Forward Current	VIN= 24 V DC	IF	----	14	----	mA
Viewing Angle		2θ1/2	----	60	----	deg