

### SOP-8



#### Pin Definition:

- |             |                |
|-------------|----------------|
| 1. Output   | 8. Input       |
| 2. Sense    | 7. Feedback    |
| 3. Shutdown | 6. Voltage tap |
| 4. Ground   | 5. Error flag  |

### TO-92



#### Pin Definition:

1. Output
2. Ground
3. Input

### TO-252



#### Pin Definition:

1. Input
2. Ground
3. Output

## General Description

The TS2950/A & TS2951/A are low power voltage regulators. These devices are excellent choice for use in battery-powered applications such as cordless telephone, radio control systems, and portable computers.

The TS2950/A & TS2951/A is features very low quiescent current (75uA Typ.) and very low drop output voltage (Typ. 40uV at light load and 380 mV at 100 mA). This includes a tight initial tolerance of 1% (A version), extremely good load and line regulation 0.05% typ. and very low output temperature coefficient, making the TS2950/A & TS2951/A useful as a low-power voltage reference.

TS2950/A & TS2951/A have other key additional feature of unregulated input voltage transient of -20V below ground (reverse battery). The error flag output feature is used as power-on reset for warn of a low output voltage, due to following batteries on input. The logic-compatible shutdown input which enable the regulator to be switched on/off. The regulator output voltage may be pin-strapped for a 5.0, 3.3 & 3V of programmed from 1.24V to 29V with external pair of resistors. Using of as design, processing and testing techniques make TS2950/A & TS2951/A superior over similar products.

## Features

- Output voltage available in 5V, 3.3V & 3V
- Extremely low quiescent current
- Low dropout voltage
- Extremely tight load and line regulation
- Very low temperature coefficient
- Need only 1uF for stability
- Use as Regulator or Reference
- Stable with low-ESR output capacitors
- Current and thermal limiting
- Direct replacement for LP2950 & LP2951 sockets

### TS2951 VERSIONS ONLY

- Error Flag warns of output dropout
- Logic-Controlled electronic shutdown
- Additional voltage tap
- Output voltage sense
- Output programmable from 1.24 to 29V

## Ordering Information

Part No.	Package	Packing
TS2950CT $\underline{xx}$ B0	TO-92	1Kpcs / Bulk
TS2950CT $\underline{xx}$ A3	TO-92	2Kpcs / Ammo
TS2950ACT $\underline{xx}$ B0	TO-92	1Kpcs / Bulk
TS2950ACT $\underline{xx}$ A3	TO-92	2Kpcs / Ammo
TS2951CS $\underline{xx}$ RL	SOP-8	2.5Kpcs / 13" Reel
TS2951ACS $\underline{xx}$ RL	SOP-8	2.5Kpcs / 13" Reel
TS2950CP $\underline{xx}$ RO	TO-252	2.5Kpcs / 13" Reel
TS2950ACP $\underline{xx}$ RO	TO-252	2.5Kpcs / 13" Reel

Note: Where  $\underline{xx}$  denotes voltage option, available are  
**30**= 3.0V, **33**= 3.3V, **50**= 5.0V

## Application

- Battery powered systems
- Portable instrumentation
- Automotive Electronics
- SMPS Post-Regulator
- Voltage Reference
- Portable/Palm top / Notebook computers
- Portable consumer equipment
- Radio control system

### Absolute Maximum Rating

Parameter	Symbol	Limit	Unit
Input Supply Voltage	$V_{IN}$	- 0.3 ~ +30	V
Feedback Input Voltage	$V_{feedback}$	- 1.5 ~ +30	V
Shutdown Input Voltage	$V_{shutdown}$	- 0.3 ~ +30	V
Error Comparator Output Voltage	$V_{error}$	- 0.3 ~ +30	V
Power Dissipation	$P_d$	Internally Limited	W
Operating Junction Temperature Range	$T_J$	- 40 ~ +125	°C
Storage Temperature Range	$T_{STG}$	-65 ~ +150	°C
Lead Temperature (Soldering 5 second)	$T_{STG}$	260	°C

### TS2950/A & TS2951/A Electrical Characteristics

( $V_{IN}=V_{OUT}+1V$ ,  $T_a=25^{\circ}C$ , unless otherwise specified.)

Parameter	Test Conditions (note 2)		Min	Typ	Max	Unit
Output Voltage	$T_j=25^{\circ}C$	TS2950/51	0.985	5.0 3.3 3.0	1.015	V
		TS2950A/51A	0.990		1.010	
	Full Operating temp	TS2950/51	0.980		1.020	
		TS2950A/51A	0.988		1.012	
	$100\mu A \leq I_L \leq 100mA$ $T_j \leq T_j(max)$	TS2950/51	0.975		1.025	
		TS2950A/51A	0.985		1.015	

### All Voltage Option

Output Voltage Temperature Coefficient	(Note 1)	TS2950/51	--	50	150	ppm/
		TS2950A/51A	--	20	100	°C
Line Regulation (Note 3)	$6V \leq V_{IN} \leq 30V$ (Note 4)		--	0.04	0.2	%
Load Regulation (Note 3)	$100\mu A \leq I_L \leq 100mA$		--	0.1	0.3	%
Dropout Voltage (Note 5)	$I_L=100\mu A$		--	50	80	mV
	$I_L=100mA$		--	380	450	mV
Ground Current	$I_L=100\mu A$		--	75	120	uA
	$I_L=100mA$		--	8	12	mA
Dropout Ground Current	$V_{IN}=4.5V$ , $I_L=100\mu A$		--	110	170	uA
Current Limit	$V_{OUT}=0$		--	160	200	mA
Thermal Regulation			--	0.05	0.2	%W
Output Noise, 10Hz to 100KHz Bypass=0.01uF (pins 7 to 1 TS2951/A)	$C_L=1\mu F$		--	430	--	uV/
	$C_L=200\mu F$		--	160	--	rms
	$C_L=3.3\mu F$		--	100	--	

### 8-Pin TS2951/A Versions only

Reference Voltage	TS2951	1.21	1.235	1.27	V
	TS2951A	1.22		1.26	

### TS2950/A & TS2951/A Electrical Characteristics (continued)

( $V_{IN}=V_{OUT}+1V$ ,  $T_a=25^{\circ}C$ , unless otherwise specified.)

Parameter	Test Conditions (note 2)	Min	Typ	Max	Unit	
Reference Voltage	(Note6)	TS2951	1.185	1.235	1.285	V
		TS2951A	1.19		1.27	
Feedback Pin Bias Current		--	20	40	nA	
Reference Voltage Temperature Coefficient	(Note 7)	--	20	--	ppm/ °C	
Feedback Pin Bias Current Temperature Coefficient		--	0.1	--	nA/°C	

#### Error Comparator

Output Leakage Current	$V_{OH}=30V$	--	0.01	1	uA
Output Low Voltage	$V_{IN}=4.5V$ , $I_{OL}=400uA$	--	150	250	mV
Upper Threshold Voltage	(Note 8)	40	60	--	mV
Power Threshold Voltage	(Note 8)	--	75	95	mV
Hysteresis	(Note 8)	--	15	--	mV

#### Shutdown Input

Output Logic Voltage	Low (Regulator ON)	--	1.3	0.7	V
	High(Regulator OFF)	2.0	1.3	--	
Shut down Pin Current	$V_s = 2.4V$	--	30	50	uA
	$V_s = 30V$		450	600	
Regulator Output Current in Shutdown	(Note 9)	--	3	10	uA

Note 1: Output voltage temperature coefficients defined as the worst case voltage change divided by the total temperature range.

Note 2: Unless otherwise specified all limits guaranteed for  $T_j=25^{\circ}C$ ,  $V_{in}=6V$ ,  $I_L=100uA$  and  $C_L=100uF$ . Additional conditions for the 8-pin versions are feedback tied to 5V, 3.3V & 3V tap output Sense ( $V_{out}=5V, 3.3V \& 3V$ ) and shutdown  $\leq 0.8V$ .

Note 3: Regulation is measured at constant junction temperature, using pulse testing with a low duty cycle. Changes in output voltage due to heating effects are covered under the specification for thermal regulation.

Note 4: Line regulation for the TS2951 is tested at  $85^{\circ}C$  for  $I_L=1mA$ . For  $I_L=100uA$  and  $T_j=125^{\circ}C$ , line regulation is guaranteed by design to 0.2%.

Note 5: Dropout Voltage is defined as the input to output differential at which the output voltage drops 100mV below its nominal value measured at 1V differential at very low value of programmed output voltage, the minimum input supply voltage of 2V (2.3V over temperature) must be taken in to account.

Note 6:  $V_{ref} \leq V_{out} \leq (V_{in}-1V)$ ,  $2.3 \leq V_{in} \leq 30V$ ,  $100uA \leq I_L \leq 100mA$ ,  $T_j \leq T_j(max)$ .

Note 7: reference voltage temperature coefficient is defined as the worst case voltage change divided by the total temperature range.

Note 8: Comparator thresholds are expressed in terms of a voltage differential at the feedback terminal below the nominal reference voltage measured at 6V input. To express these thresholds in terms of output voltage change, multiply by the error amplifier gain=  $V_{out} / V_{ref} = (R1+R2) / R2$ . For example, at a programmed output voltage of 5V, the Error output is guaranteed to go low when the output drops by  $95 mV \times 5V / 1.250 = 384mV$ . Thresholds remain constant as a percent of  $V_{out}$  as  $V_{out}$  is varied with the dropout warning occurring at typically 5% below nominal, 7.5% guaranteed.

### **Application Hints**

#### **External Capacitors**

For the stability of the TS2950/A & TS2951/A is requires a 1.0uF(0.22uF is recommended for 3.0V & 3.3V) or greater capacitor between output and ground. Oscillation could occur without this capacitor. The tantalum or aluminum electrolytic works fine; could use the film type work but are not cost efficient. For the operation of below -25 °C solid tantalum is recommended since the many aluminum type have electrolytes the freeze at about -30 °C. The ESR of about 5Ω or less and resonant frequency above 500KHz are most important parameter in the value of Capacitor. The Capacitors value can be increased without any limit. At lower values of output current, less output capacitance is required for stability. For the currents below 10mA the value of capacitor can be reduce to 0.33uF and 0.1uF for 1mA. More output capacitance needed for the 8-pin version at voltage below 5V since it runs the error amplifier at lower gain. At worst case 3.3uF or greater must be used for condition of 100mA load at 1.250V output.

The TS2950/A & TS2951/A is not like other low dropout regulators will remain stable and regulation with no load in addition to the internal voltage divider. This feature very important in application, it is like CMOS RAM keep-alive. The TS2951/A output voltage is set with minimum load of 1uA and external resistors.

If at the input of TS2950/A & TS2951/A connected to battery or between AC filter capacitor and input is 10 inches wire then 1uF tantalum or aluminum electrolytic capacitor should be connected between input and ground. Instability can occur if stray capacitor to feedback terminal pin 7 of the TS2951/A. This could cause more problems when using higher value of external to set the output voltage. To fix this problem the 100pF capacitor between output and feedback and increasing output capacitance to 3.3uF.

#### **Reducing Output Noise**

It could be an advantage to reduce the AC noise present at the output. One method is to reduce the regulator bandwidth by increasing the value of the output capacitor. This is the only method that noise could reduce on the TS2950/A & TS2951/A, but is relatively inefficient, as increasing capacitor from 1uF to 220uF only decreases the noise from 430uV to 160uVrms for a 100KHz bandwidth at 5V output. Noise could be also reduced by fourfold by a bypass capacitor across R1 since it reduces the high frequency gain from 4 to unity.

Pick  $C_{bypass} = 1 / 2\pi R1 * 200\text{Hz}$  or choose 0.01uF when doing this, the output capacitor must be increased to 3.3uF to maintain stability. These change the output noise from 430uV/rms for a 100 kHz bandwidth 5V, 3.3V & 3V output. With the bypass capacitor added, noise no longer scales with output voltage so that improvements are more dramatic higher output voltage.

#### **Error Detection Comparator Output**

The Compactor produces a logic low output whenever the TS2951/A output falls of regulation by more than around 5%. This is around 60 mV offset divided by the 1.235 reference voltage. Thus trip remains 5% below nominal regardless of the programmed output voltage of the regulator. The Figure 1 shows the timing diagram depicting the ERROR signal and the regulator output voltage as the TS2951/A input is ramped up and down. The ERROR signal becomes low at around 1.3V input, it goes high around 5V input (input voltage at which  $V_{out}=4.75V$ ). The TS2951/A dropout voltage depending on the load, the input voltage trip point around 5V will vary with load current. The output voltage trip point is around 4.75V, it does not change with load. The error comparator has an open-collector output which requires an external pull-up resistor. Depending on the system requirement, the resistor maybe returned to 5 or 3.3V output or other supply voltage depending to the system requirements. For determining the size of the resistor, note that the output is sinking 400uA, this value adds to battery drain in a low better condition, recommended values 100K to 1MΩ. If the output is unused this resistor is not required.

### Application Hints (continued)

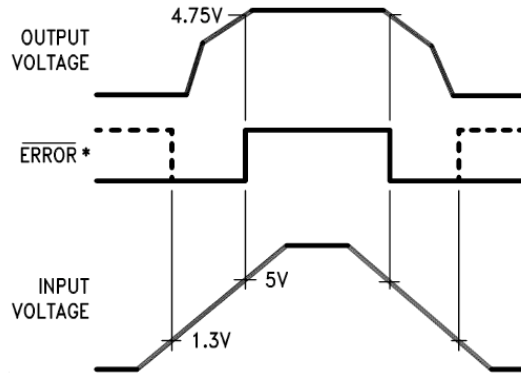


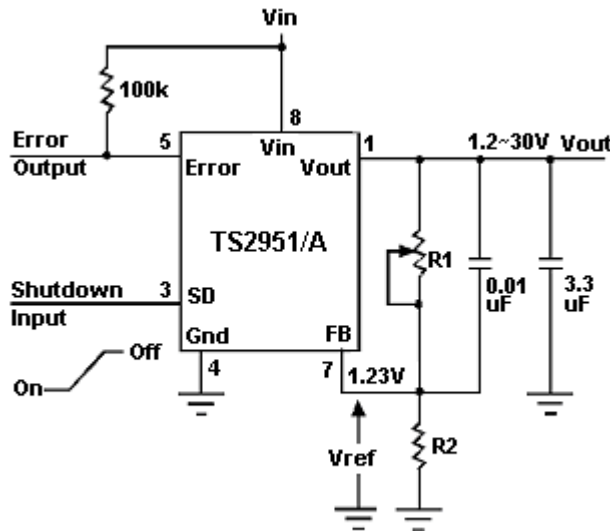
Figure 1. Error Output Timing

### Programming The output Voltage

The TS2951/A output voltage is programmable for any value from its reference voltage of 1.235V and its maximum rating of 30V. For example, for 5V, you need to pin-strap and use the internal voltage divider by tying pin 1 to 2 and pin 7 to pin 6. Refer to Figure 2, there are two external resistors required for this programming. Refer to the below equation for programming the output voltage:

$$V_{out} = V_{ref} \times (1 + R1/R2) + I_{FB} \times R1$$

The  $V_{ref}$  is 1.235V and  $I_{FB}$  is the feedback bias current, nominally -20nA. The minimum recommended load current of 1uA forces an upper limit of 1.2MΩ on the value of  $R2$ . If no load is presented, the  $I_{FB}$  produces an error of typically 2% in  $V_{out}$  which may be eliminated at room temperature by trimming  $R1$ . To improve accuracy, choose the value of  $R2 = 100K$  and this reduces the error by 0.17% and increases the resistor program current by 12uA. The TS2951/A typically draws 60uA at no load with pin 2 open-circuit, and this value does not look much.

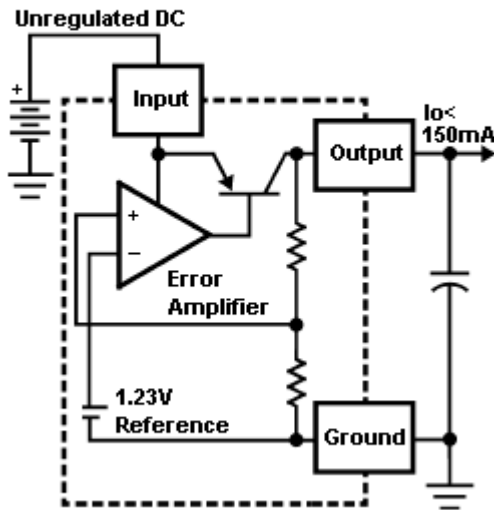


Note: Pin 2 and 6 are left open

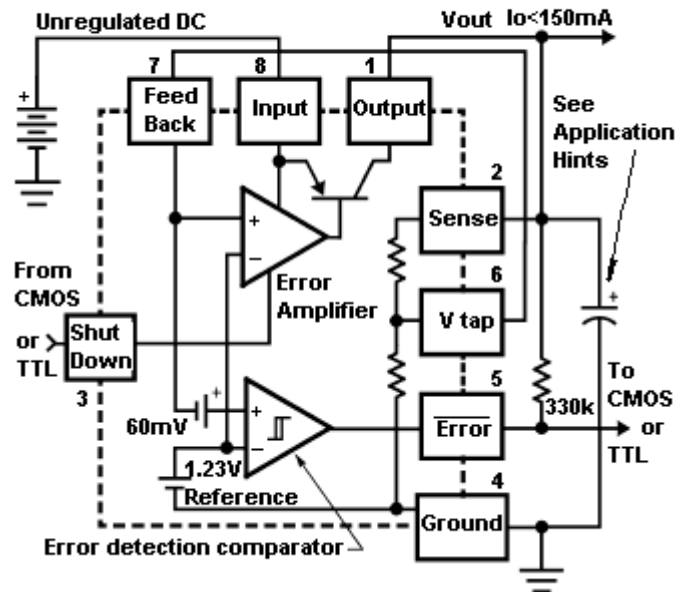
Figure 2. Adjust Voltage

### Block Diagram and Typical Applications Circuit

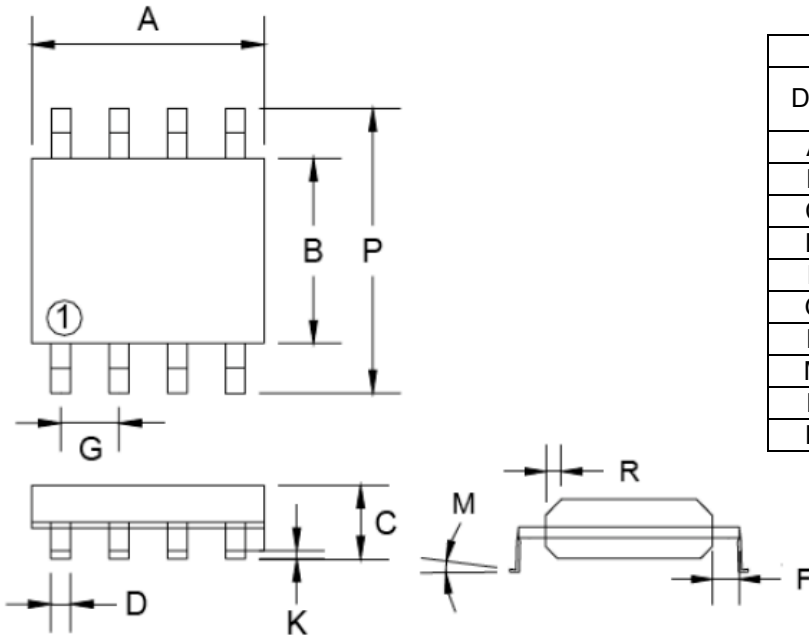
TS2950/A



TS2951/A

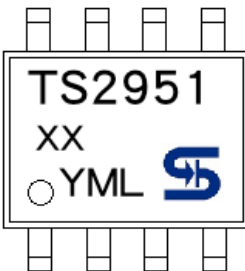


### SOP-8 Mechanical Drawing



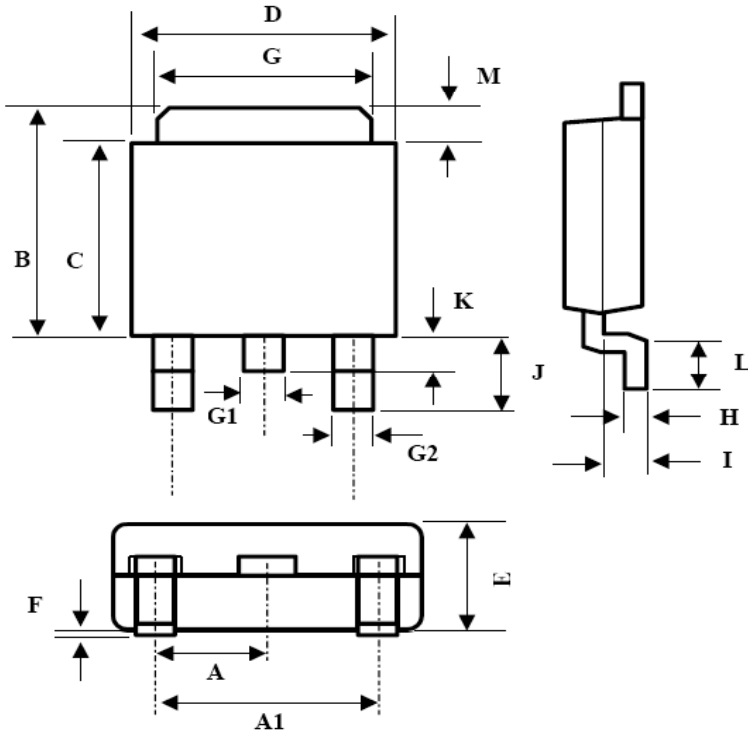
DIM	MILLIMETERS		INCHES	
	MIN	MAX	MIN	MAX.
A	4.80	5.00	0.189	0.196
B	3.80	4.00	0.150	0.157
C	1.35	1.75	0.054	0.068
D	0.35	0.49	0.014	0.019
F	0.40	1.25	0.016	0.049
G	1.27BSC		0.05BSC	
K	0.10	0.25	0.004	0.009
M	0°	7°	0°	7°
P	5.80	6.20	0.229	0.244
R	0.25	0.50	0.010	0.019

### Marking Diagram



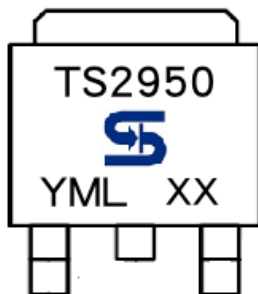
- XX** = Voltage Code  
(**50** = 5.0V, **33** = 3.3V, **30** = 3V)
- Y** = Year Code
- M** = Month Code  
(**A**=Jan, **B**=Feb, **C**=Mar, **D**=Apr, **E**=May, **F**=Jun, **G**=Jul, **H**=Aug, **I**=Sep, **J**=Oct, **K**=Nov, **L**=Dec)
- L** = Lot Code

### TO-252 Mechanical Drawing



TO-252 DIMENSION				
DIM	MILLIMETERS		INCHES	
	MIN	MAX	MIN	MAX
A	2.3BSC		0.09BSC	
A1	4.6BSC		0.18BSC	
B	6.80	7.20	0.268	0.283
C	5.40	5.60	0.213	0.220
D	6.40	6.65	0.252	0.262
E	2.20	2.40	0.087	0.094
F	0.00	0.20	0.000	0.008
G	5.20	5.40	0.205	0.213
G1	0.75	0.85	0.030	0.033
G2	0.55	0.65	0.022	0.026
H	0.35	0.65	0.014	0.026
I	0.90	1.50	0.035	0.059
J	2.20	2.80	0.087	0.110
K	0.50	1.10	0.020	0.043
L	0.90	1.50	0.035	0.059
M	1.30	1.70	0.051	0.67

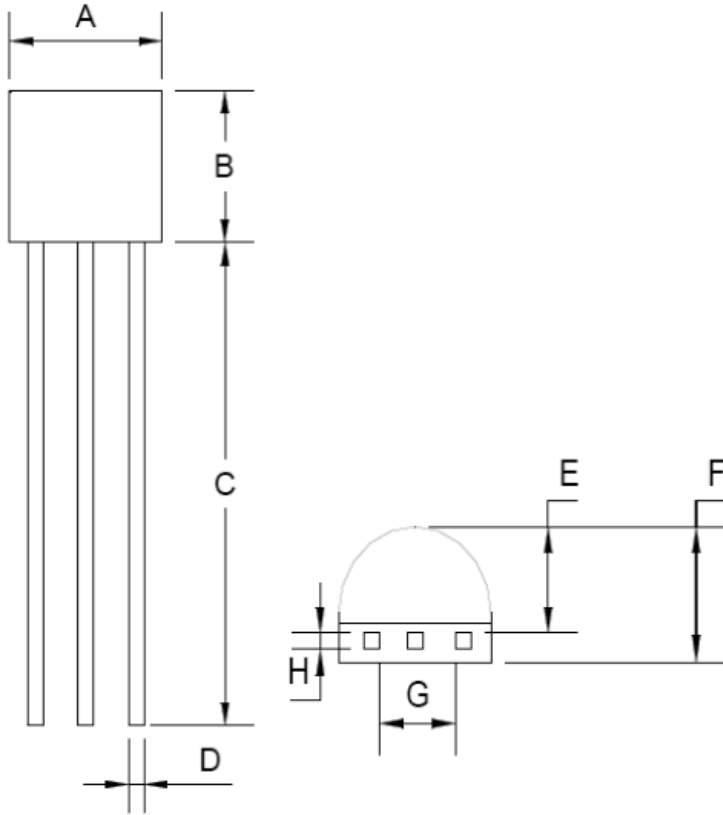
### Marking Diagram



- XX** = Voltage Code  
(**50** = 5.0V, **33** = 3.3V, **30** = 3V)
- Y** = Year Code
- M** = Month Code  
(**A**=Jan, **B**=Feb, **C**=Mar, **D**=Apr, **E**=May, **F**=Jun, **G**=Jul, **H**=Aug, **I**=Sep, **J**=Oct, **K**=Nov, **L**=Dec)
- L** = Lot Code

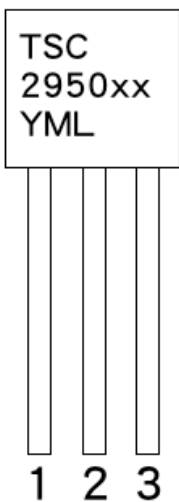


### TO-92 Mechanical Drawing



TO-92 DIMENSION				
DIM	MILLIMETERS		INCHES	
	MIN	MAX	MIN	MAX
A	4.30	4.70	0.169	0.185
B	4.30	4.70	0.169	0.185
C	14.30(typ)		0.563(typ)	
D	0.43	0.49	0.017	0.019
E	2.19	2.81	0.086	0.111
F	3.30	3.70	0.130	0.146
G	2.42	2.66	0.095	0.105
H	0.37	0.43	0.015	0.017

### Marking Diagram



- XX** = Voltage Code  
(**50** = 5.0V, **33** = 3.3V, **30** = 3V)
- Y** = Year Code
- M** = Month Code  
(**A**=Jan, **B**=Feb, **C**=Mar, **D**=Apr, **E**=May, **F**=Jun, **G**=Jul, **H**=Aug, **I**=Sep, **J**=Oct, **K**=Nov, **L**=Dec)
- L** = Lot Code

# TS2950/TS2951

## 150mA Ultra Low Dropout Voltage Regulator

### Notice

Specifications of the products displayed herein are subject to change without notice. TSC or anyone on its behalf, assumes no responsibility or liability for any errors or inaccuracies.

Information contained herein is intended to provide a product description only. No license, express or implied, to any intellectual property rights is granted by this document. Except as provided in TSC's terms and conditions of sale for such products, TSC assumes no liability whatsoever, and disclaims any express or implied warranty, relating to sale and/or use of TSC products including liability or warranties relating to fitness for a particular purpose, merchantability, or infringement of any patent, copyright, or other intellectual property right.

The products shown herein are not designed for use in medical, life-saving, or life-sustaining applications. Customers using or selling these products for use in such applications do so at their own risk and agree to fully indemnify TSC for any damages resulting from such improper use or sale.