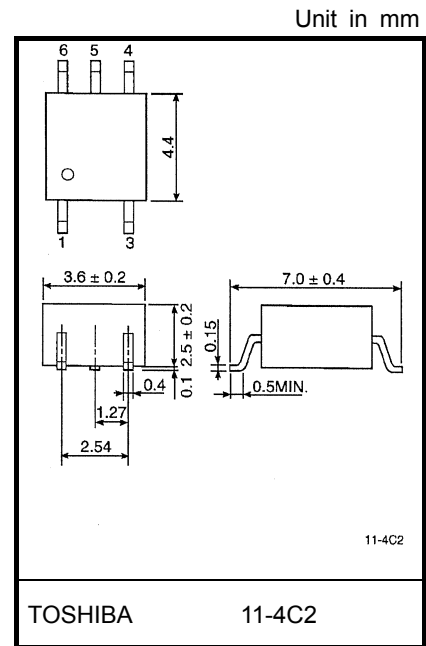


TLP116

PDP(Plasma Display Panel)
 High Speed Interface
 FA(Factory Automation)

The Toshiba TLP116 consists of a GaAlAs light-emitting diode and an integrated high-gain, high-speed photodetector.

- Inverter logic (totempole output)
- Package type : MFSOP6
- Guaranteed performance over temperature : -40~100°C
- Power supply voltage : 4.5~5.5V
- Input thresholds current : $I_{FHL}=5\text{mA(Max.)}$
- Propagation delay time (tpHL/tpLH) : 60ns(Max.)
- Switching speed : 20MBd(TYP.)
- Common mode transient immunity : 10kV/us
- Isolation voltage : 3750Vrms
- UL Recognized : UL1577,File No.E67349

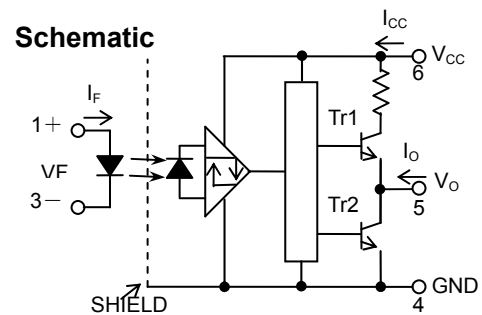
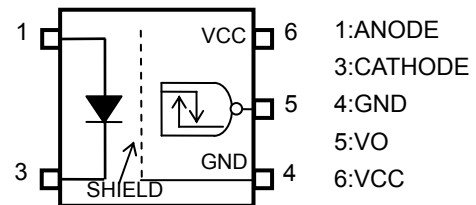


Weight: 0.09 g(Typ.)

Truth Table

Input	LED	Tr1	Tr2	Output
H	ON	OFF	ON	L
L	OFF	ON	OFF	H

Pin Configuration (Top View)



0.1uF bypass capacitor must be connected between pins 6 and 4

Absolute Maximum Ratings (Ta=25°C)

Characteristic		Symbol	Rating	Unit
LED	Forward current	I_F	20	mA
	Forward current derating (Ta≥85°C)	$\Delta I_F/\Delta T_a$	-0.5	mA/°C
	Peak transient forward current (Note1)	I_{FPT}	1	A
	Reverse voltage	V_R	5	V
DETECTOR	Output current	I_O	10	mA
	Output voltage	V_O	6	V
	Supply voltage	V_{CC}	6	V
	Output power dissipation	P_O	40	mW
Operating temperature range		T_{opr}	-40~100	°C
Storage temperature range		T_{stg}	-55~125	°C
Lead solder temperature(10s)		T_{sol}	260	°C
Isolation voltage (AC, 1min., R.H.≤60%, Ta=25°C) (Note2)		BVs	3750	Vrms

Note: Using continuously under heavy loads (e.g. the application of high temperature/current/voltage and the significant change in temperature, etc.) may cause this product to decrease in the reliability significantly even if the operating conditions (i.e. operating temperature/current/voltage, etc.) are within the absolute maximum ratings and the operating ranges.

Please design the appropriate reliability upon reviewing the Toshiba Semiconductor Reliability Handbook (“Handling Precautions”/“Derating Concept and Methods”) and individual reliability data (i.e. reliability test report and estimated failure rate, etc).

Recommended Operating Conditions

Characteristic	Symbol	Min	Typ.	Max	Unit
Input current , ON	$I_{F(ON)}$	8	—	18	mA
Input voltage , OFF	$V_{F(OFF)}$	0	—	0.8	V
Supply voltage (Note3)	V_{CC}	4.5	5.0	5.5	V
Operating temperature	T_{opr}	-40	—	100	°C

Note: Recommended operating conditions are given as a design guideline to obtain expected performance of the device. Additionally, each item is an independent guideline respectively. In developing designs using this product, please confirm specified characteristics shown in this document.

Correlation between Input current , switching speed and drive circuit (reference information).

Input current (IF)	test Circuit	Typical switching speed
12mA	1 (Page 4)	21 – 23 MBd
8mA	1 (Page 4)	18 – 20 MBd
8mA	2 (Page 4, With Speed up capacitor)	23 – 27 MBd

Note1 : Pulse width $PW \leq 1\mu s, 300pps$.

Note2 : This device is regarded as a two terminal device : pins 1 and 3 are shorted together, as are pins 4,5 and 6.

Note3 : The detector of this product requires a power supply voltage (VCC) of 4.5 V or higher for stable operation. If the VCC is lower than this value, an ICC may increase, or an output may be unstable. Be sure to use the product after checking the supply current, and the operation of a power-on/-off.

Electrical Characteristics

(Unless otherwise specified, Ta=-40 to 100°C, VCC=4.5~5.5V)

Characteristic	Symbol	Test Circuit	Conditions	Min.	Typ.	Max.	Unit
Input forward voltage	V _F	—	I _F =10mA, Ta=25°C	—	1.3	1.5	V
Temperature coefficient of forward voltage	ΔV _F /ΔTa	—	I _F =10mA	—	-2.0	—	mV/°C
Input reverse current	I _R	—	V _R =5V, Ta=25°C	—	—	10	μA
Input capacitance	C _T	—	V=0, f=1MHz, Ta=25°C	—	70	—	pF
Logic low output voltage	V _{OL}	1	I _{OL} =1.6mA, I _F =12mA, V _{CC} =5V	—	—	0.4	V
Logic high output voltage	V _{OH}	2	I _{OH} =-0.02mA, V _F =1.05V, V _{CC} =5V	4.0	—	—	V
Logic low supply current	I _{CCL}	3	I _F =12mA	—	—	5.0	mA
Logic high supply current	I _{CCH}	4	V _F =0V	—	—	5.0	mA
Input current logic low output	I _{FHL}	—	I _O =1.6mA, V _O <0.4V	—	—	5	mA
Input voltage logic high output	V _{FLH}	—	I _O =-0.02mA, V _O >4.0V	0.8	—	—	V

*All typical values are at Ta=25°C, V_{CC}=5V, I_F(ON)=12mA unless otherwise specified

Isolation Characteristics (Ta = 25°C)

Characteristic	Symbol	Test Conditions	Min.	Typ.	Max.	Unit
Capacitance input to output	C _S	V = 0, f = 1MHz (Note 2)	—	0.8	—	pF
Isolation resistance	R _S	R.H. ≤ 60%, V _S = 500V (Note 2)	1×10 ¹²	10 ¹⁴	—	Ω
Isolation voltage	BV _S	AC, 1 minute	3750	—	—	V _{rms}
		AC, 1 second, in oil	—	10000	—	V _{dc}
		DC, 1 minute, in oil	—	10000	—	

Note 4: A ceramic capacitor (0.1 μF) should be connected from pin 6 to pin 4 to stabilize the operation of the high gain linear amplifier. Failure to provide the bypass may impair the switching property.
The total lead length between capacitor and coupler should not exceed 1 cm.

Switching Characteristics

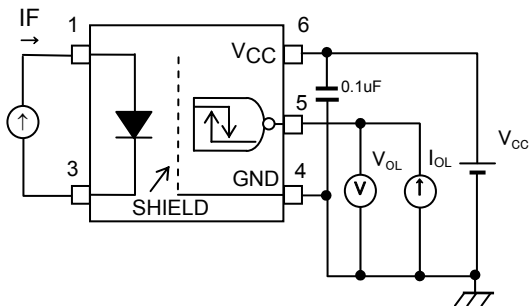
(Unless otherwise specified, $T_a = -40$ to 100°C , $V_{CC} = 4.5 \sim 5.5\text{V}$)

Characteristic	Symbol	Test Circuit	Conditions	Min.	Typ.	Max.	Unit
Propagation delay time to logic high output	t_{pHL}	5	$I_F = 0 \rightarrow 12\text{mA}$	—	—	60	ns
Propagation delay time to logic low output	t_{pLH}		$I_F = 12 \rightarrow 0\text{mA}$				
Propagation delay time to logic high output	t_{pHL}	6	$V_{IN} = 0 \rightarrow 5\text{V}$ ($I_F = 0 \rightarrow 8\text{mA}$)	—	—	60	ns
Propagation delay time to logic low output	t_{pLH}		$V_{IN} = 5 \rightarrow 0\text{V}$ ($I_F = 8 \rightarrow 0\text{mA}$)				
Switching time dispersion between ON and OFF	$ t_{pHL} - t_{pLH} $	5	$I_F = 12\text{mA}$, $R_{IN} = 100\Omega$, $C_L = 15\text{pF}$ (Note 5)	—	—	30	ns
Output fall time(90-10%)	t_f		$I_F = 0 \rightarrow 12\text{mA}$	—	15	—	ns
Output rise time(10-90%)	t_r		$I_F = 12 \rightarrow 0\text{mA}$	—	15	—	ns
Common mode transient immunity at high Level output	CM_H	7	$V_{CM} = 1000\text{Vp-p}$, $I_F = 0\text{mA}$, $V_o(\text{Min}) = 4\text{V}$, $T_a = 25^\circ\text{C}$	10000	—	—	V/us
Common mode transient immunity at low level output	CM_L		$V_{CM} = 1000\text{Vp-p}$, $I_F = 12\text{mA}$, $V_o(\text{Max}) = 0.4\text{V}$, $T_a = 25^\circ\text{C}$	-10000	—	—	V/us

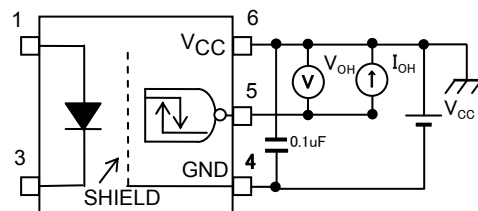
*All typical values are at $T_a = 25^\circ\text{C}$

Note 5 : C_L is approximately 15pF which includes probe and Jig/stray wiring capacitance.

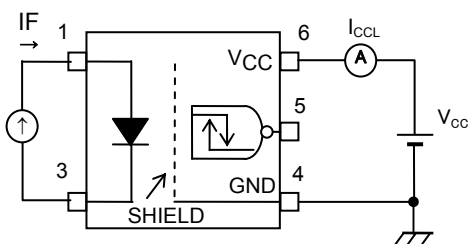
TEST CIRCUIT 1 : V_{OL}



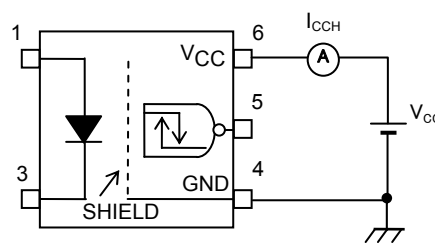
TEST CIRCUIT 2 : V_{OH}



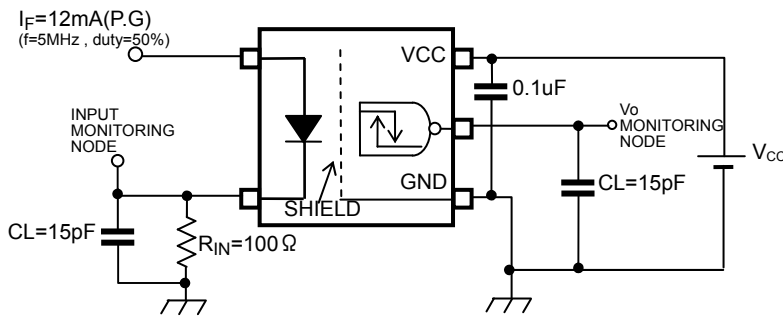
TEST CIRCUIT 3 : I_{CCL}



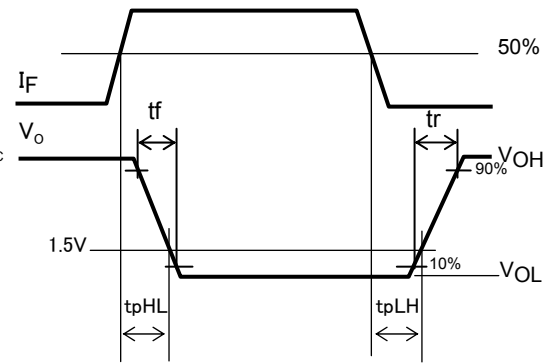
TEST CIRCUIT 4 : I_{CCH}



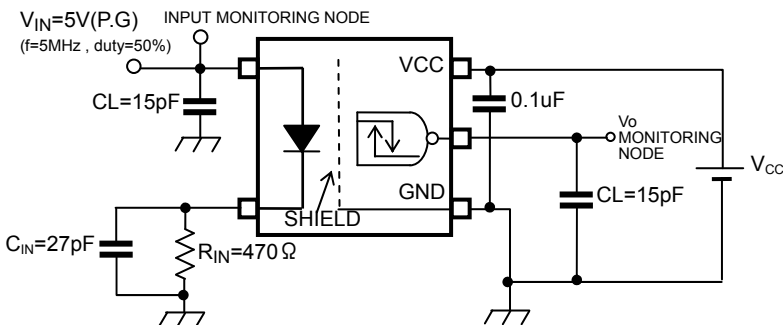
TEST CIRCUIT 5 : tpHL , tpLH



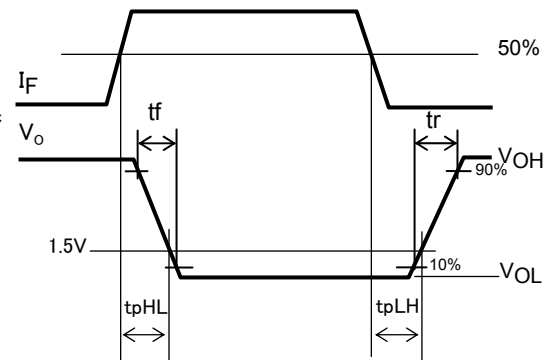
CL is capacitance of the probe and JIG.
(P.G) : Pulse Generator



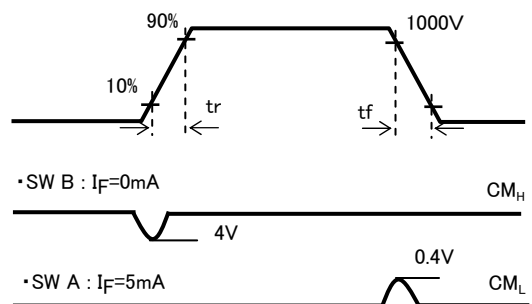
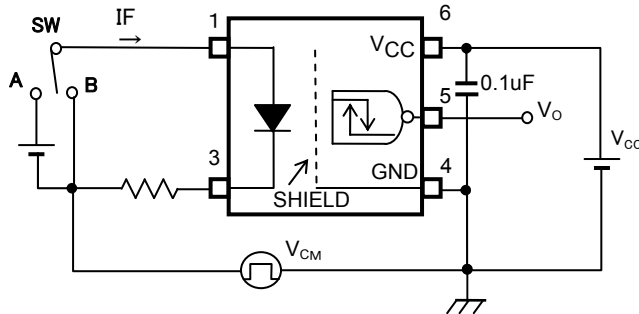
TEST CIRCUIT 6 : tpHL , tpLH



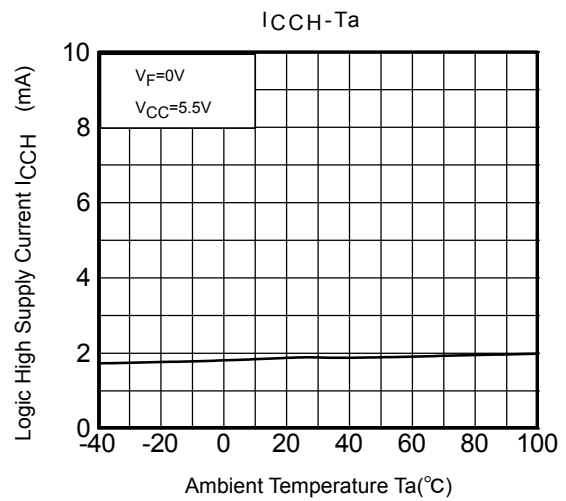
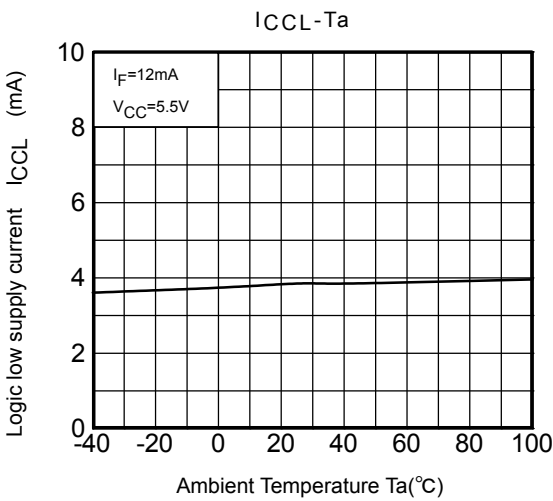
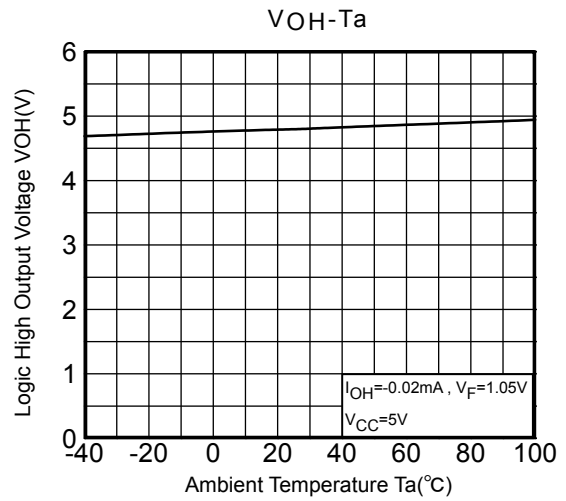
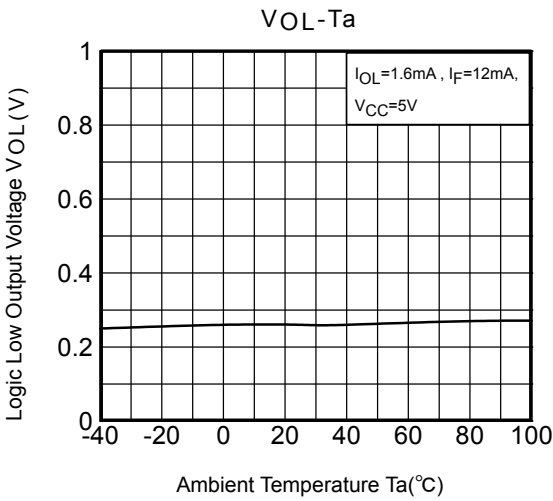
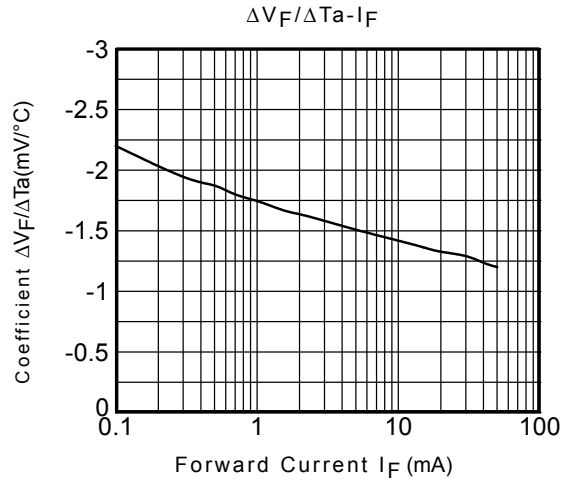
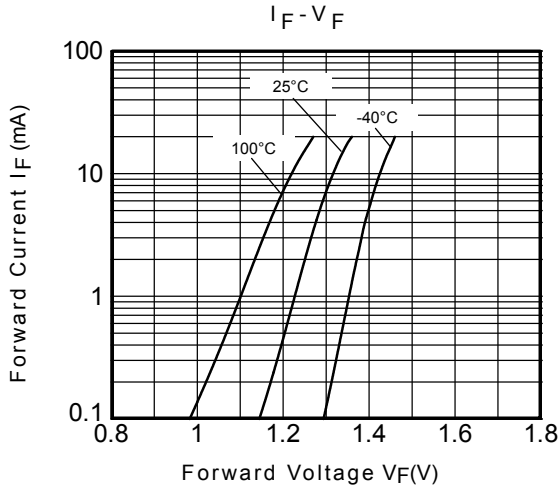
CL is capacitance of the probe and JIG.
(P.G) : Pulse Generator



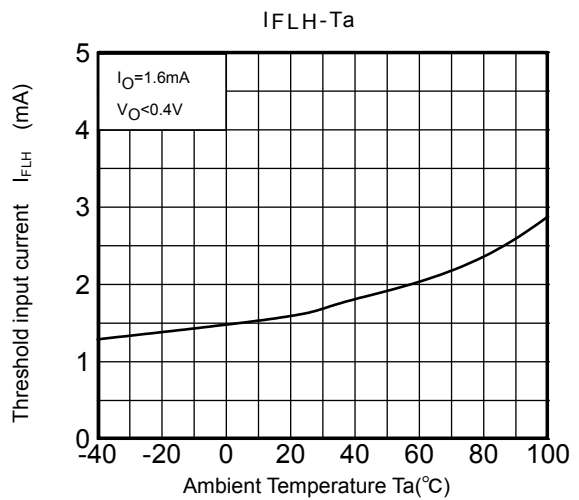
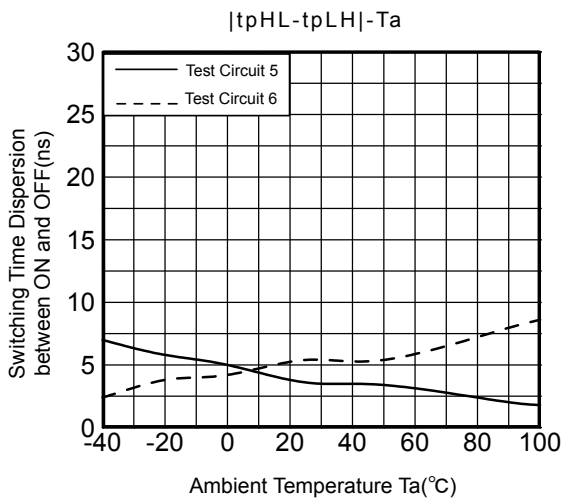
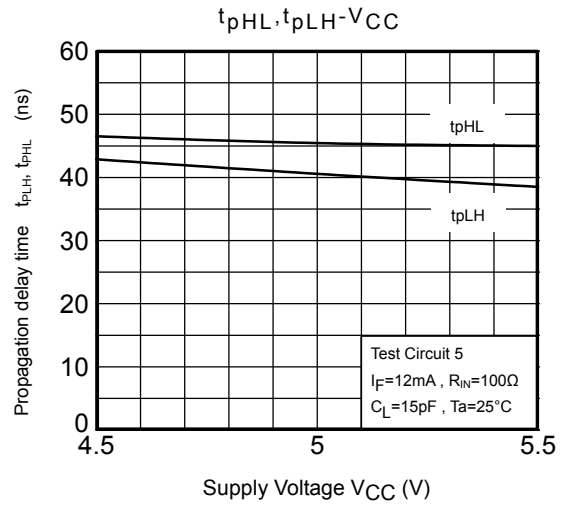
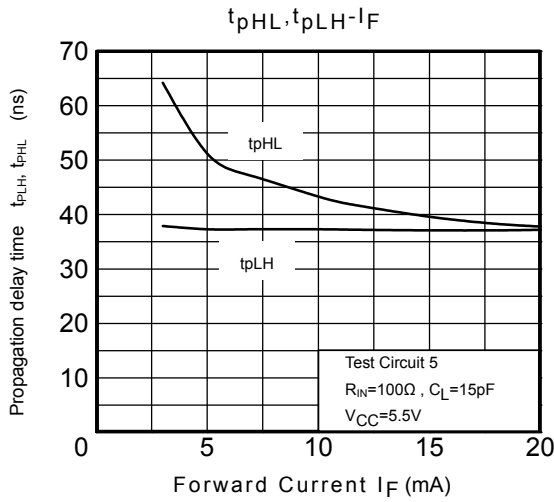
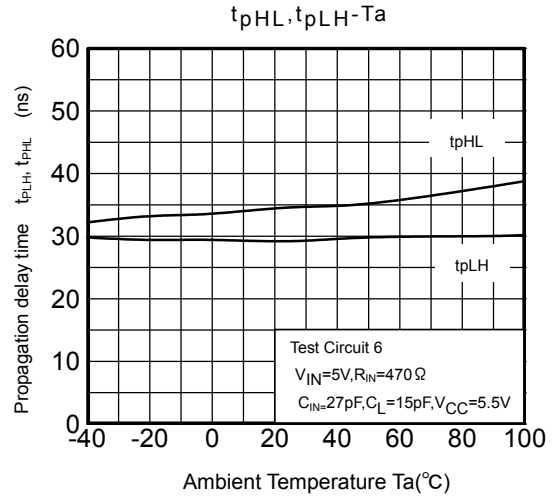
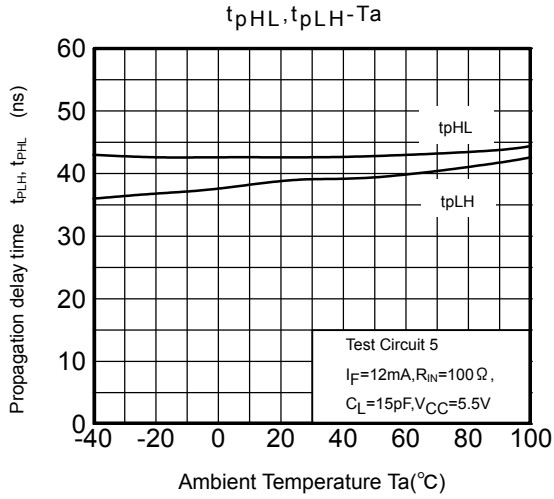
TEST CIRCUIT 7 : Common-Mode Transient Immunity Test Circuit



$$CM_H = \frac{800(V)}{t_r(\mu s)} \quad CM_L = \frac{800(V)}{t_f(\mu s)}$$



*: The above graphs show typical characteristics.



*: The above graphs show typical characteristics.

RESTRICTIONS ON PRODUCT USE

20070701-EN

- The information contained herein is subject to change without notice.
- TOSHIBA is continually working to improve the quality and reliability of its products. Nevertheless, semiconductor devices in general can malfunction or fail due to their inherent electrical sensitivity and vulnerability to physical stress. It is the responsibility of the buyer, when utilizing TOSHIBA products, to comply with the standards of safety in making a safe design for the entire system, and to avoid situations in which a malfunction or failure of such TOSHIBA products could cause loss of human life, bodily injury or damage to property.
In developing your designs, please ensure that TOSHIBA products are used within specified operating ranges as set forth in the most recent TOSHIBA products specifications. Also, please keep in mind the precautions and conditions set forth in the "Handling Guide for Semiconductor Devices," or "TOSHIBA Semiconductor Reliability Handbook" etc.
- The TOSHIBA products listed in this document are intended for usage in general electronics applications (computer, personal equipment, office equipment, measuring equipment, industrial robotics, domestic appliances, etc.). These TOSHIBA products are neither intended nor warranted for usage in equipment that requires extraordinarily high quality and/or reliability or a malfunction or failure of which may cause loss of human life or bodily injury ("Unintended Usage"). Unintended Usage include atomic energy control instruments, airplane or spaceship instruments, transportation instruments, traffic signal instruments, combustion control instruments, medical instruments, all types of safety devices, etc.. Unintended Usage of TOSHIBA products listed in this document shall be made at the customer's own risk.
- The products described in this document shall not be used or embedded to any downstream products of which manufacture, use and/or sale are prohibited under any applicable laws and regulations.
- The information contained herein is presented only as a guide for the applications of our products. No responsibility is assumed by TOSHIBA for any infringements of patents or other rights of the third parties which may result from its use. No license is granted by implication or otherwise under any patents or other rights of TOSHIBA or the third parties.
- GaAs(Gallium Arsenide) is used in this product. The dust or vapor is harmful to the human body. Do not break, cut, crush or dissolve chemically.
- Please contact your sales representative for product-by-product details in this document regarding RoHS compatibility. Please use these products in this document in compliance with all applicable laws and regulations that regulate the inclusion or use of controlled substances. Toshiba assumes no liability for damage or losses occurring as a result of noncompliance with applicable laws and regulations.