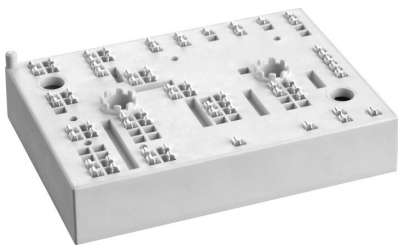


# SKiiP 37NAB12T4V1



## MiniSKiiP<sup>®</sup> 3

3-phase bridge rectifier +  
brake chopper + 3-phase  
bridge inverter  
**SKiiP 37NAB12T4V1**

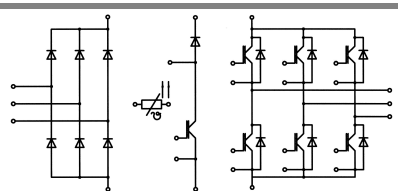
Target Data

### Features

- Fast Trench IGBTs
- Robust and soft freewheeling diodes in CAL technology
- Highly reliable spring contacts for electrical connections
- UL recognised file no. E63532

### Remarks

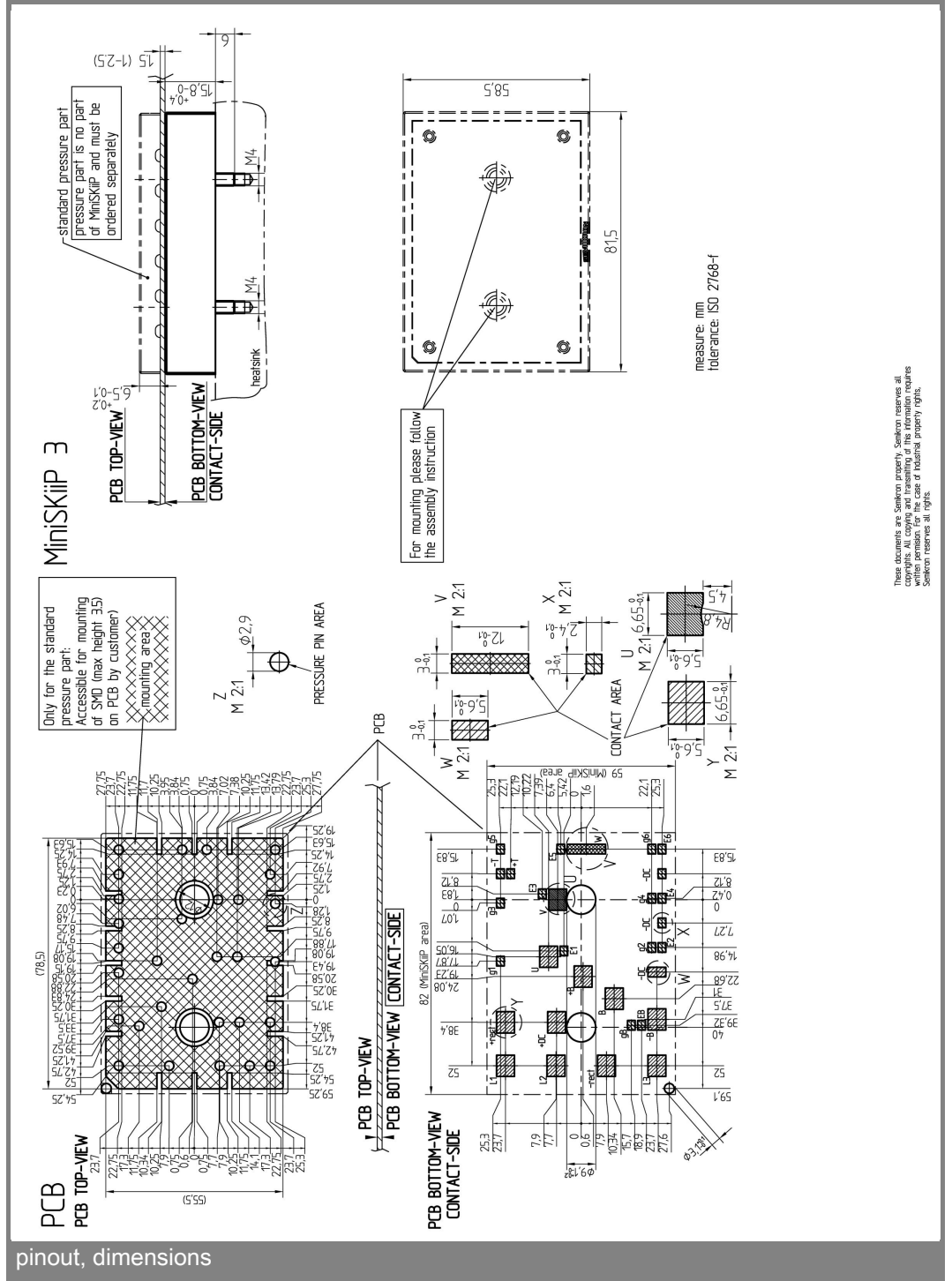
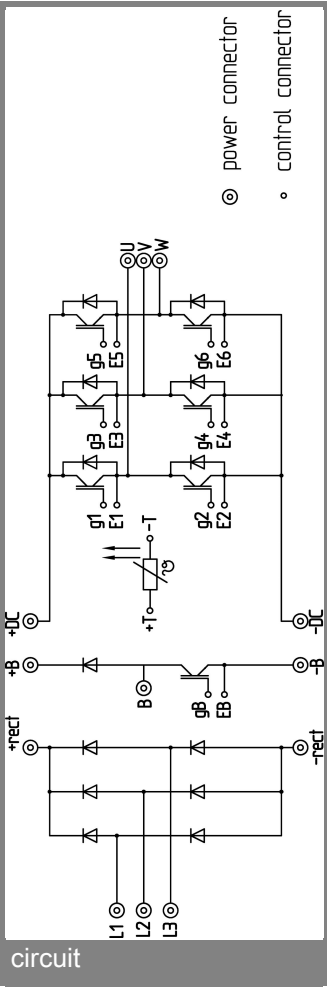
- $V_{CEsat}$ ,  $V_F$  = chip level value



NAB

Absolute Maximum Ratings		$T_s = 25\text{ °C}$ , unless otherwise specified		
Symbol	Conditions	Values	Units	
<b>IGBT - Inverter, Chopper</b>				
$V_{CES}$	$T_s = 25\text{ (70) °C}$ $t_p \leq 1\text{ ms}$	1200	V	
$I_C$		96 (78)	A	
$I_{CRM}$		225	A	
$V_{GES}$		$\pm 20$	V	
$T_j$		- 40 ... + 175	°C	
<b>Diode - Inverter, Chopper</b>				
$I_F$	$T_s = 25\text{ (70) °C}$ $t_p \leq 1\text{ ms}$	82 (66)	A	
$I_{FRM}$		225	A	
$T_j$		- 40 ... + 175	°C	
<b>Diode - Rectifier</b>				
$V_{RRM}$	$T_s = 70\text{ °C}$	1600	V	
$I_F$		61	A	
$I_{FSM}$		$t_p = 10\text{ ms, sin } 180\text{ °, } T_j = 25\text{ °C}$	700	A
$i^2t$		$t_p = 10\text{ ms, sin } 180\text{ °, } T_j = 25\text{ °C}$	2400	A <sup>2</sup> s
$T_j$		- 40 ... + 150	°C	
$I_{tRMS}$	per power terminal (20 A / spring)	80	A	
$T_{stg}$	$T_{op} \leq T_{stg}$	- 40 ... + 125	°C	
$V_{isol}$	AC, 1 min.	2500	V	

Characteristics		$T_s = 25\text{ °C}$ , unless otherwise specified			
Symbol	Conditions	min.	typ.	max.	Units
<b>IGBT - Inverter, Chopper</b>					
$V_{CEsat}$	$I_{Cnom} = 75\text{ A, } T_j = 25\text{ (150) °C}$		1,85 (2,25)	2,05 (2,45)	V
$V_{GE(th)}$	$V_{GE} = V_{CE}, I_C = 3\text{ mA}$	5	5,8	6,5	V
$V_{CE(TO)}$	$T_j = 25\text{ (150) °C}$		1,1 (1)	1,3 (1,2)	V
$r_T$	$T_j = 25\text{ (150) °C}$		10 (17)	10 (17)	mΩ
$C_{ies}$	$V_{CE} = 25\text{ V, } V_{GE} = 0\text{ V, } f = 1\text{ MHz}$		-	-	nF
$C_{oes}$	$V_{CE} = 25\text{ V, } V_{GE} = 0\text{ V, } f = 1\text{ MHz}$		-	-	nF
$C_{res}$	$V_{CE} = 25\text{ V, } V_{GE} = 0\text{ V, } f = 1\text{ MHz}$		-	-	nF
$R_{th(j-s)}$	per IGBT		0,52		K/W
$t_{d(on)}$	under following conditions		-	-	ns
$t_r$	$V_{CC} = 600\text{ V, } V_{GE} = \pm 15\text{ V}$		-	-	ns
$t_{d(off)}$	$I_{Cnom} = 70\text{ A, } T_j = 150\text{ °C}$		-	-	ns
$t_f$	$R_{Gon} = R_{Goff} = -\Omega$		-	-	ns
$E_{on}$	inductive load		9		mJ
$E_{off}$			6		mJ
<b>Diode - Inverter, Chopper</b>					
$V_F = V_{EC}$	$I_{Fnom} = 75\text{ A, } T_j = 25\text{ (150) °C}$		2,2 (2,1)	2,5 (2,45)	V
$V_{(TO)}$	$T_j = 25\text{ (150) °C}$		1,3 (0,9)	1,5 (1,1)	V
$r_T$	$T_j = 25\text{ (150) °C}$		12 (16)	13 (18)	mΩ
$R_{th(j-s)}$	per diode		0,76		K/W
$I_{RRM}$	under following conditions		-	-	A
$Q_{rr}$	$I_{Fnom} = 75\text{ A, } V_R = 300\text{ V}$		-	-	μC
$E_{rr}$	$V_{GE} = 0\text{ V, } T_j = 150\text{ °C}$		5,63		mJ
	$di_F/dt = -\text{ A}/\mu\text{s}$				
<b>Diode - Rectifier</b>					
$V_F$	$I_{Fnom} = 35\text{ A, } T_j = 25\text{ °C}$		1,1		V
$V_{(TO)}$	$T_j = 150\text{ °C}$		0,8		V
$r_T$	$T_j = 150\text{ °C}$		11		mΩ
$R_{th(j-s)}$	per diode		0,9		K/W
<b>Temperature Sensor</b>					
$R_{ts}$	3 %, $T_r = 25\text{ (100) °C}$		1000(1670)		Ω
<b>Mechanical Data</b>					
w			95		g
$M_s$	Mounting torque	2		2,5	Nm



These documents are Semikron property. Semikron reserves all  
 copyrights. All copying and releasing of the information requires  
 written permission. In the case of industrial property rights,  
 Semikron reserves all rights.

This is an electrostatic discharge sensitive device (ESDS), international standard IEC 60747-1, Chapter IX.

This technical information specifies semiconductor devices but promises no characteristics. No warranty or guarantee expressed or implied is made regarding delivery, performance or suitability.